



8105

Wheel loaders

THE EFFICIENT POWERFUL WHEEL LOADER

The Kramer wheel loader 8105 is a model from the 8 premium series and is equipped with the proven Kramer system, the one-piece vehicle chassis. The machine is equipped with a comfortable cabin in which the operating controls are ergonomically arranged. The 8105 is characterized by its excellent diversity in terms of equipping options and optimal dimensions to provide the highest level of efficiency in any application of the performance class.

Cabin versions: Maximum compactness with the standard cabin and maximum visibility upwards with the optional panoramic cabin

Driving modes: The operator can select the right operating mode (Power, Eco, Road, CSD) for every driving situation

Smart Attach: Hydraulic attachments can be changed quickly, simply, and safely as a result of the series' installed full-hydraulic quickhitch plate

Traction: 100 % connectible differential lock for excellent traction

Four steering types: All-wheel, front-wheel, crab steering and manual crab steering - the right steering system for any application

Technical Data

Standard engine data

Engine manufacturer	Deutz
Drive output	55.4 kW
Drive output	75 PS
Cylinder capacity	2,924 cm ³
Exhaust standard level	V
Exhaust aftertreatment	DOC / DPF

Weights

Bucket capacity (standard bucket)	1.05 m ³
Payload (max.)	1,890 kg
Operating weight	5,300 - 6,000 kg
Payload (S=1.25)	2,500 kg
Tipping load (standard bucket)	4,100 kg
Tipping load (pallet fork)	3,200 kg

Filling levels

Tank capacity for fuel	120 l
Tank capacity for hydraulic oil	64 l

Drive system

Travel speed Standard	0-20 km/h
Travel speed Option 1	0-30 km/h
Travel speed Option 2	0-40 km/h
Differential lock	100 % front axle + rear axle

Hydraulic system

Work hydraulics discharge volume (max.)	80 l/min
---	----------

Kinematics

Kinematics type	P
Quick change system	Kramer HV/WL-C; includes Smart Attach

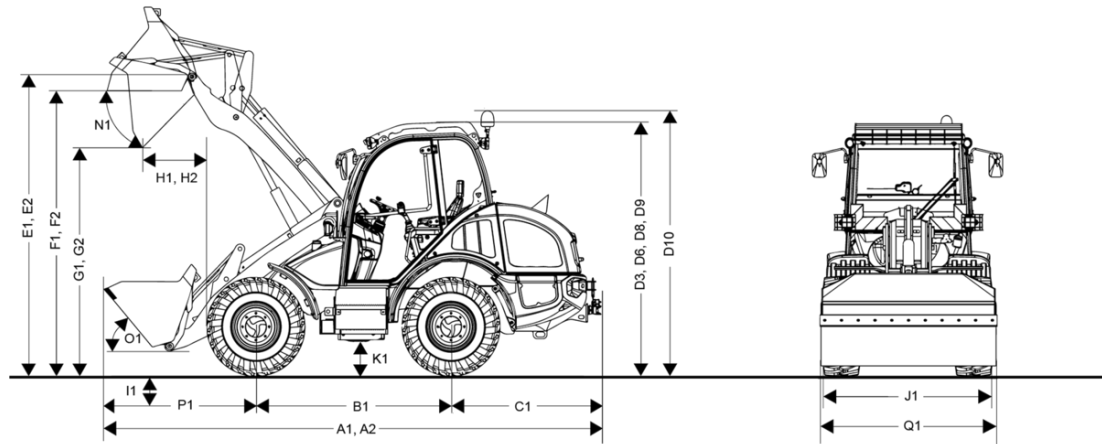
Steering

Steering angle max.	40 degree
---------------------	-----------

Noise characteristic values

Guaranteed sound power level L _{wA} (cabin)	101 dB(A)
Measured sound power level L _{wA}	98.8 dB(A)
Sound pressure level at the operator's ear	74 dB(A)

Dimensions



A1	Total length with standard attachment	5,790 mm
B1	Wheel base center	2,150 mm
C1	Rear overhang	1,620 mm
D3	Height with cab	2,650 mm
D6	Height with air-conditioning system	2,735 mm
D8	Height with panoramic cab	2,690 mm
D9	Height with panoramic cab and air-conditioning system	2,735 mm
D10	Total height with rotating beacon	2,925 mm
E1	Max. height blade pivot point	3,350 mm
F1	Load-over height	3,140 mm
G1	Dumping height	2,550 mm
H1	Dumping width	630 mm
I1	Digging depth	130 mm
J1	Total width	1,970 mm
K1	Ground clearance	350 mm
L1	Turning radius outer edge wheels	2,990 mm
M1	Steering angle	40 °
M2	Swing angle	22 °
N1	Dumping angle at max. lifting height	45 °
O1	Dumping angle at ground level	48 °
P1	Distance center front axle to tooth tip	2,040 mm
Q1	Bucket width	2,050 mm
R1	Stacking height	3,130 mm