

# GET IN AND BE ON YOUR WAY

The wheel and telescopic wheel loaders  
5035/5040/5050/5055/5065/5065T/5065e



**KRAMER**  
*on the safe side*



## Wide range of application possibilities

Discover the all-wheel steer wheel and telescopic wheel loaders in the 0.35–0.65 m<sup>3</sup> class

The compact machines form the main product segment. The efficient machines are developed through to the finest detail and are characterized by the tried and tested design principle, which guarantees the unbeatable maneuverability. Due to their narrow and low design, the machines are also in demand there where large machines do not have the space: marginal access roads, work in gardens or tight road sites. Alongside the diesel engines, Kramer also has a 100% electric and emission-free version available with the 5065e. Depending on the application and demand, you can individually decide which machine is right for you.



## On the safe side with Kramer

The traditional Kramer brand has been established on the market for many years and stands for one value in particular: **Safety**. The high quality of the innovative machines is only one aspect: as a company, Kramer is also a safe choice for customers and dealers, as the experience and innovative power of the company provide for investment and future security. In short, you are always on the safe side with Kramer: **“Kramer – on the safe side!”**

➔ ON THE SAFE SIDE

## Table of contents

### Vehicle design

Undivided vehicle frame  
Advantages at a glance  
Types of steering  
Compact design

04

### Drive train

Engines  
Exhaust after-treatment systems  
Performance curves

10

### Wheel loaders and telescopic wheel loaders at a glance

Wheel loaders: 5035, 5040,  
5050, 5055, 5065, 5065e  
Telescopic wheel loader: 5065T

12

### Machine highlights 5035, 5040

Cab design  
Loading systems  
Hydraulics

14

### Machine highlights 5050 - 5065T

Smart Ballast (5050)  
Cab design loading systems

20

### Machine highlights 5065e

zero emission  
Cab design  
Battery and loading procedure

28

### Machine components and accessories

Attachments  
Quickhitch system  
Tire treads

36

### Technical Data and dimensions

40

Operating and performance data WHEEL AND TELESCOPIC WHEEL LOADERS	5035	5040	5050	5055	5055L
Engine output (optional) [kW]	18.5	28.5	34.3	34.3 (41.1)	34.3 (41.1)
Bucket capacity [m <sup>3</sup> ]	0.35	0.36	0.45	0.55	0.55
Lifting force [kN]	11.5	15.8	37	32.5	26.5
Bucket capacity [kg]	1,200	1,400	1,800	1,980	1,780
Stacking payload S=1.25 [kg]	750	900	1,200	1,600	1,450
Operating weight [kg]*	1,700 – 2,200	1,900 – 2,400	2,850 – 3,300	3,200 – 4,300	3,200 – 4,300

\* Weight with standard components and full tank + standard bucket + 75 kg operator weight (ISO 6016).

Operating and performance data WHEEL AND TELESCOPIC WHEEL LOADERS	5065	5065L	5065T	5065e	5065eL
Engine output (optional) [kW]	34.3 (41.1)	34.3 (41.1)	34.3 (41.1)	23.2** / 25.2***	23.2** / 25.2***
Bucket capacity [m <sup>3</sup> ]	0.65	0.55	0.65	0.65	0.55
Lifting force [kN]	32.5	26.5	32.5	32.8	33
Bucket capacity [kg]	2,340	2,140	2,500	2,800	2,377
Stacking payload S=1.25 [kg]	1,750	1,600	1,650	1,750	1,500
Operating weight [kg]*	3,200 – 4,300	3,200 – 4,300	3,500 – 4,600	3,855 – 4,160	3,890 – 4,195

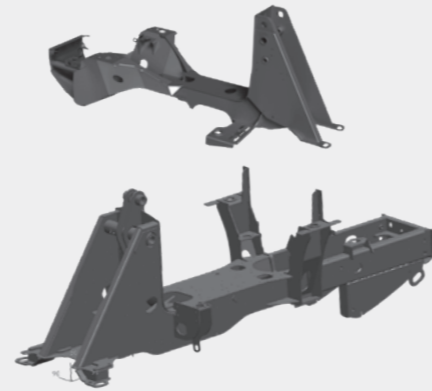
\*\* Drive system output S2 60 min    \*\*\* Work hydraulics output S3 15%

# Why separate what belongs together?

## Kramer – A unique system

The Kramer brand stands for all-wheel steer loaders, telescopic wheel loaders and telehandlers with extreme maneuverability, off-road capability and high efficiency. Thanks to the time-tested and proven undivided chassis, the wheel loaders are ultra-stable in all conditions.

Due to this special vehicle construction, there is no shift in the center of gravity due to steering movements. On the basis of the Ackermann steering, only the wheels move during steering. Thus, maximum payload and high stability are maintained even tight curve radii and on uneven ground.



## The advantages at a glance

### High stability

The wheel loaders and telescopic wheel loaders are designed with an undivided chassis that prevents shifts in the center of gravity, even on full steering lock. The vehicles are therefore extremely stable and safe in operation, even when the going gets tough.

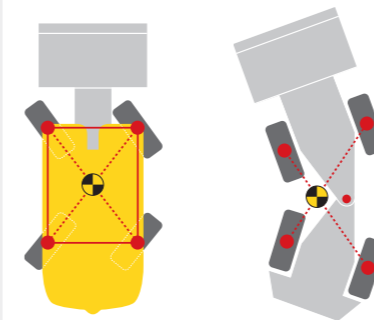
### Enormous maneuverability

The all-wheel steering and a steering lock of 38 degrees front and rear allow a high degree of maneuverability. Thus, many steering movements can be eliminated and travel and movements shortened.

### Constant payload

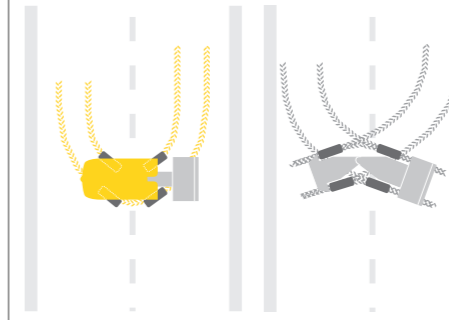
The undivided frame prevents the distance between the counterweight and the loading system from changing. The result: constant leverage, which makes working safe in all load situations. The payload remains the same regardless of the steering angle.

### Undivided chassis for high stability ...



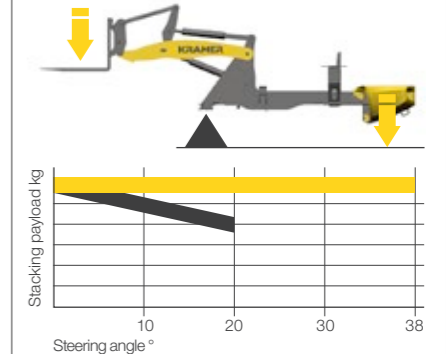
... without shifting the center of gravity.

### Turn on a dime with all-wheel steering ...



... instead of time-wasting  
Maneuvering with articulated joint.

### Constant leverage for constant payload



■ Kramer  
■ Competition (articulated)

# Flexibility in use

## The right type of steering for every application

The undivided vehicle frame forms the basis for three (5035, 5040) and two (5050, 5055, 5065, 5065T, 5065e) different steering types. The utilization and application possibilities of a wheel loader are determined by its design principle. The steering system plays a crucial role in this.

### All-wheel steering



- 2 x 38 degree steering angle on front and rear axle ensure fast work cycles
- Optimized travel paths
- Little need for space

### Front wheel steering (option)



- Safe and familiar road driving at high speed
- Simple guidance of special attachment devices
- Familiar steering system
- Ideal for trailer operation

### Crab steering (option)\*



- Maneuvering in a confined space
- Precise positioning even in the most confined conditions
- Ground protection with sensitive sub-bases
- Easily drive away from walls and ditches

\* available for models 5035 and 5040

**2 x 38°  
steering lock**



All wheel steering: particularly maneuverable in confined spaces

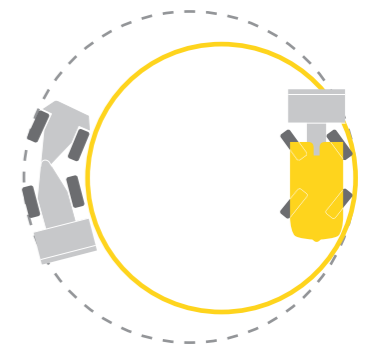
### Comparison of all wheel and articulated steering

Example: 360° turning maneuvers via the external edge of the tires

With all wheel steering, the turning circle is clearly smaller than with articulated steering (see yellow line). This is achieved through the steering angle on the front and rear axle, while only the front section moves with articulated steering.

■ All-wheel steering

■ Articulated steering (competition)



# Compact dimensions and optimal power-to-weight ratio

## Performance in perfect proportion

Compact Kramer wheel loaders and telescopic wheel loaders are among the most versatile machines on the construction site. With their dimensions, they are predestined for low clearance heights and tight passages, and are therefore indispensable companions.

The design principle of the undivided chassis is responsible for the extremely compact dimensions. Furthermore, the ratio between operating weight and payload as well as tipping load results in outstanding performance data, which is exceptional in this vehicle class.



### Top-performance of dimensions and power-to-weight ratio:

- perfect ratio between payload and operating weight
- effortlessly transport on a 3.5 t trailer (5035, 5040, 5050)
- Saves time and fuel, economic application thanks to its small turning radius
- Economic power-to-weight ratio



### Trailer transport

With its low height of below 2.5 m and its very low net weight, the machines can be transported quickly and with ease from one application site to another. 3.5 t trailers and 7.49 t trucks can be used for this. When transporting on a truck, the total height remains below 4 m. As a result, the company's flexibility is increased and machine downtimes are reduced.

Form of transport*	5035	5040	5050	5055
Trailer – 3.5 t	x	x	x	–
Truck – 7.49 t	x	x	x	x
Transport weight**	1,700	1,900	2,645	3,200

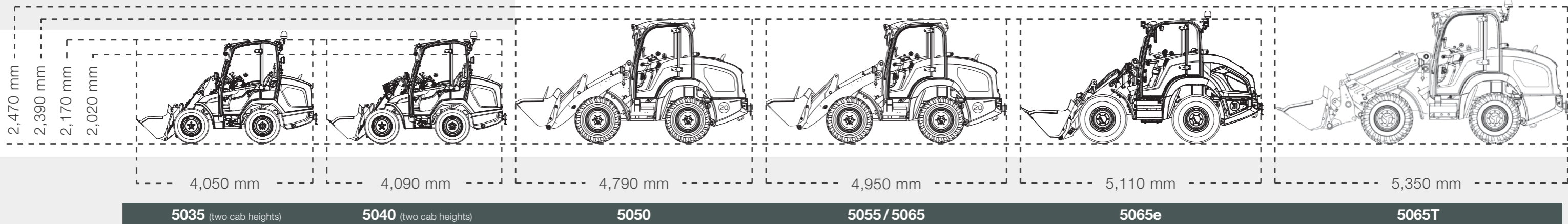
\* Depending on the model and equipment of the towing vehicle and depending on the machine's equipment, this can deviate

\*\* Basic equipment without ABG, without operator, full tank (weight varies according to equipment)

x = approved  
– = not permitted

### 5035 and 5040:

Also suitable for work in underground car parks and parking garages



# Powerful engines

## Efficient fuel consumption

Both wheel loaders 5035 and 5040 are equipped with exhaust emission Stage V Yanmar engines. The 5035 is powered by an 18.5 kW engine without exhaust after-treatment. The more powerful 5040 is available with a 28.5 kW engine. The exhaust after-treatment occurs here by means of DOC and DPF.

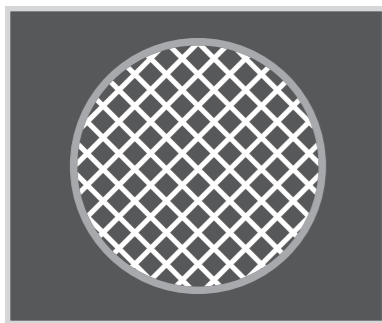
The models 5050 to 5065T likewise have Yanmar engines and fulfill the emission Stage V. The engines with 34.3 kW (standard) and 41.1 kW (option for 5055, 5065, 5065T) are equipped with a DOC and DPF.

### Top performance of engines:

- high-torque and economical engines from Yanmar
- modern exhaust after-treatment with DOC + DPF
- newest engine technology with exhaust emission Stage V

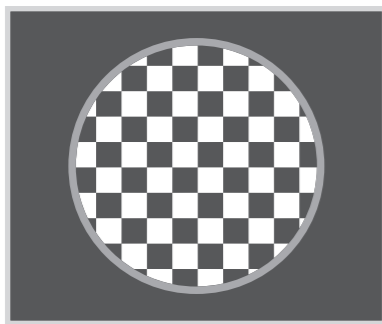
	5035	5040	5050	5055	5065	5065T
<b>Engine overview</b>	<b>Standard</b>	<b>Standard</b>	<b>Standard</b>	<b>Standard (Option)</b>	<b>Standard (Option)</b>	<b>Standard (Option)</b>
Engine manufacturer	Yanmar	Yanmar	Yanmar	Yanmar	Yanmar	Yanmar
Power output [kW/hp]	18.5/25	28.5/39	34.3/46	34.3/46 (41.1/55)	34.3/46 (41.1/55)	34.3/46 (41.1/55)
Exhaust after-treatment system	-	DOC + DPF	DOC + DPF	DOC + DPF	DOC + DPF	DOC + DPF
Emission stage (EU exhaust emission standard)	Stage V	Stage V	Stage V	Stage V	Stage V	Stage V

### Exhaust after-treatment systems



#### Diesel oxidation catalytic converter (DOC)

These days, catalytic converters are used to reduce emissions in many cars and trucks. The diesel oxidation catalytic converter has the same function. Without the movement of mechanical parts, it triggers chemical reactions that reduce emissions.



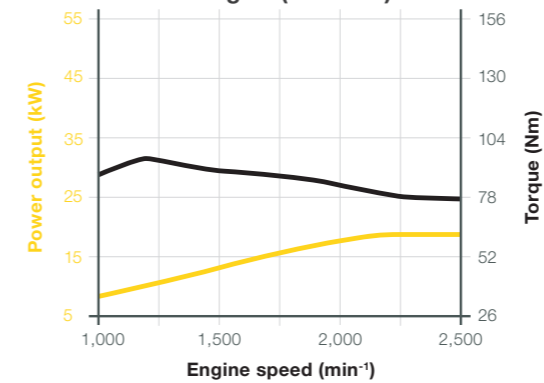
#### Diesel particulate filter (DPF)

The diesel particulate filter, in conjunction with an oxidation catalytic converter, is used to remove a majority of the nitrogen oxides, soot particles and non-combustible hydrocarbons from the combusted diesel fuel. The diesel particulate filter contains a porous honeycombed structure, which catches the soot when it passes through. Once the soot has accumulated to a certain extent, the machine's electronic system triggers the fuel injections, which allow unburned fuel to move into the oxidation catalytic converter, which is placed in front of the filter. There, it triggers an exothermic reaction, which heats the exhaust emissions so much that the soot in the diesel particulate filter is burned. This process is also called regeneration.

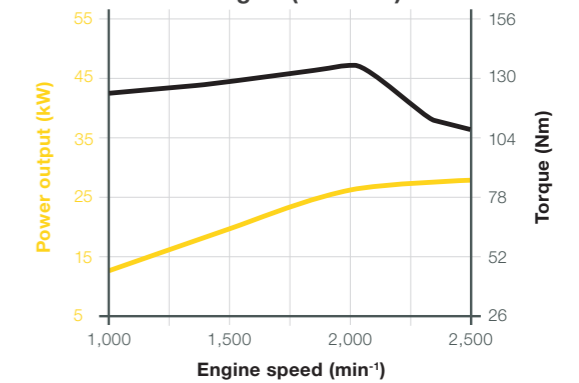


Optimized running smoothness: Economical and powerful engines in all Kramer models.

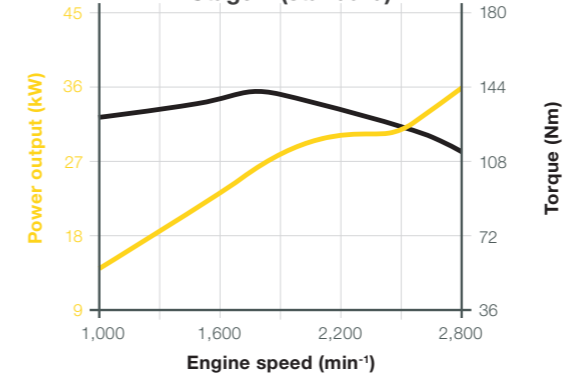
Performance curve Yanmar 3TNV82A-B; 18.5 kW; Stage V (standard)



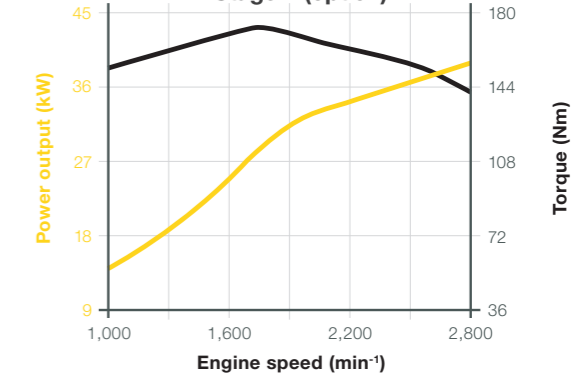
Performance curve Yanmar 3TNV86CT; 28.5 kW; Stage V (standard)



Performance curve Yanmar 4TNV88C; 34.3 kW; Stage V (standard)



Performance curve Yanmar 4TNV86CT; 41.1 kW; Stage V (option)



## Created for use

Discover the product range of the compact class

The wheel loaders: 5035, 5040

Both wheel loaders, 5035 and 5040, are the smallest Kramer models. In the development attention was paid to the simple and intuitive operation, which makes the working day far easier for the operator. With their very compact dimensions, they are seen to be favorable helpers for working in confined spaces. The machines are versatile in use due to their construction height, while it is also possible to use them in buildings as a result, for example for working in underground garages. Due to their very low net weight, the machines can be effortlessly transported on 3.5 t trailers.



Modern design, technology, performance, and comfort: The Kramer wheel loaders set standards.

## Top performance telescopic wheel loader 5065T:

+ 50 % lift and tipping heights

+ 42 % stacking height

+ 38 % load-over height

e. g. for the storage of materials, stacking pallets, filling high-walled trucks, trailers or containers

Wheel loaders and telescopic wheel loaders: 5050, 5055, 5065, 5065T, 5065e

The wheel loaders and telescopic wheel loaders of the compact class are agile in movement, dynamic in the power delivery and slim in design. With optimized power-to-weight ratio, low transport weight, and constant high payload, they are the ideal aid on the construction site in road construction, civil engineering, gardening and landscaping.

With the Kramer telescopic technology of the 5065T, even higher lift heights and reach ranges can be comfortably achieved both safely and with precision. The 5065e is completely free from emissions, unbelievably quiet, and provides the perfect working conditions for the operators and employees.



## Modern cab design

### First-class comfort

Within the compact wheel loader sector, the innovative cab design ensures added-value in terms of comfort and operator-friendliness, whereby functionality and ergonomics are at the forefront.

Large glazed areas in combination with narrow cabin pillars provide excellent all-round visibility. The special hydraulic oil and diesel tank shape underneath the front windshield provide the operator with a perfect view of the attachment. Many functional and ergonomic features, as well as numerous storage compartments can be found in the side panel. Furthermore, all the important color-coded switches are within reach of the right hand.



**Comfortable joystick:**  
Possible to switch between the tortoise and the hare directly on the joystick.



A spacious, quiet, extensively glazed cabin provides the perfect conditions to get through the working day safely.

## Technical highlights

### Simple operation – innovative cabin design

#### Cabin entry



The wide entry with an additional step ensures a comfortable entry and exit. Two handles affixed to the cabin aid the operator in getting to their workplace safely. Furthermore, the cabin door can be opened 180 degrees, and locked to the machine.

#### Smart Driving PRO



The feature on the 5040 includes three different operating modes at the push of a button to efficiently confront the respective requirements as best possible. The Power Mode (PWR) is suitable for bucket work, ECO Mode is suitable for stacking work or driving on roads, and the Constant Speed Drive (CSD) is suitable for hydraulic attachments.

#### Steering column



The optional incline-adjustable steering column, adapts to the requirements of the operator. The steering wheel is made up of high-quality and non-slip material. Furthermore, a modern display can be found on the steering column with automatic indicator reset.

#### Central tunnel



The central tunnel in the cabin floor has a height of just 5 cm as a result of the vehicle frame design. As a result, this enable the operator to enter and exit the vehicle comfortably. The central tunnel is likewise covered with a rubber mat and can be easily cleaned.

#### Cleaning flap



The cleaning flap can found to the right side of the cabin. The flap is opened from the bottom upwards using the grip, and is fixed with a muffler. Easy access to the cabin air filter and main control unit is therefore provided. It is very easy to clean the cabin floor.

#### Other cabin features



A Continental radio with DAB+, USB connection, and Bluetooth hands-free speaker is optionally available. The temperature and ventilation regulator can be found in the side panel. The optional air-conditioning system with the 5040 ensures a comfortable climate, even on warm days. Furthermore, the vehicle can be equipped with an automatic engine stop via seat contact.



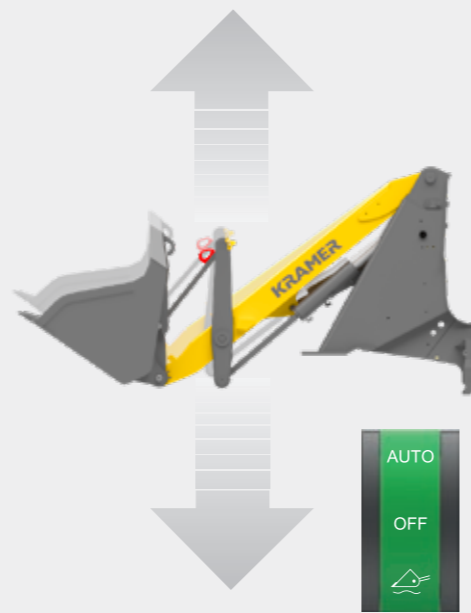
## Different loading systems

### Effortlessly work with loads

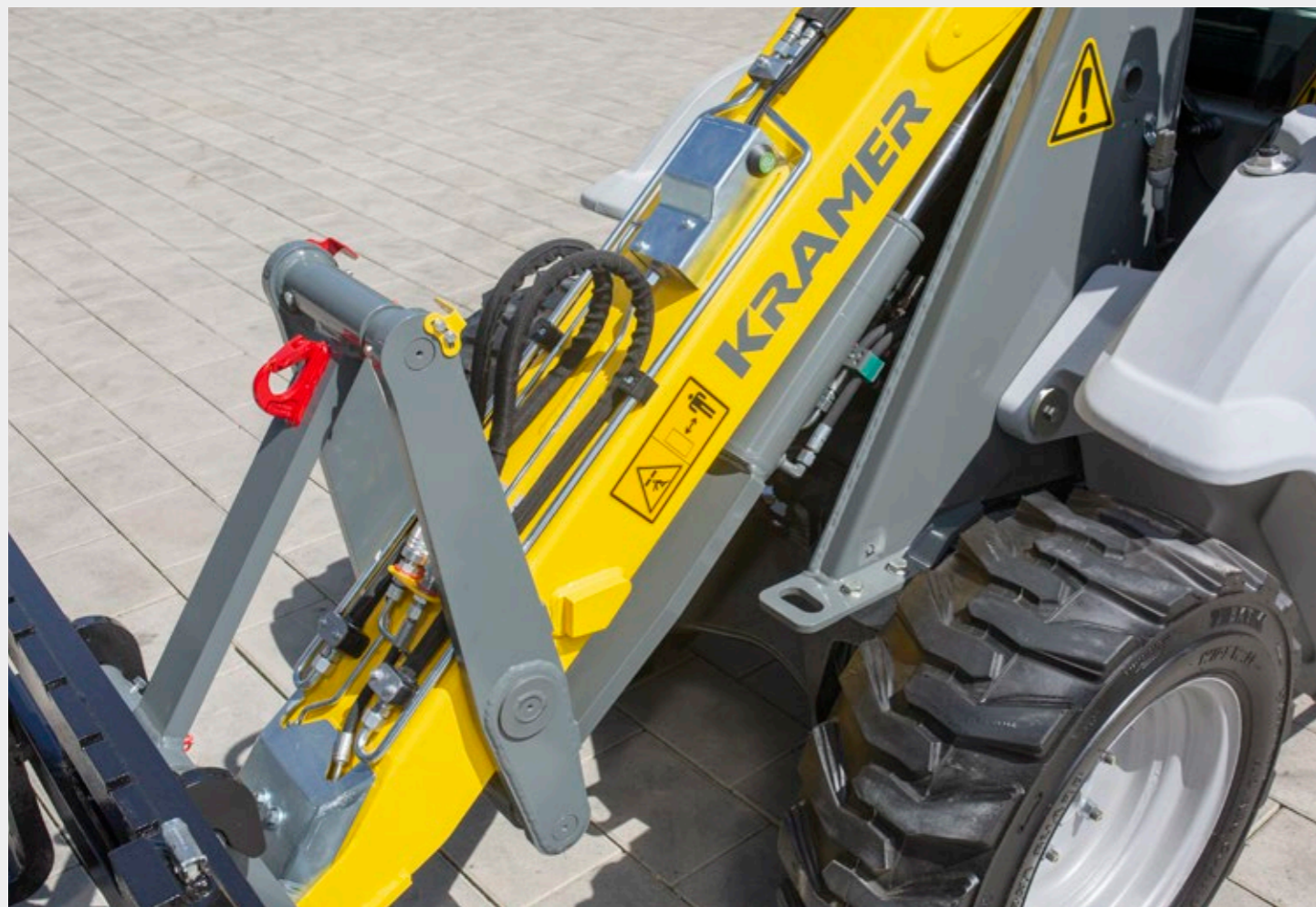
The loading systems on both machines are produced with the high-strength and torsion-resistant box section. The large lift and tear out forces, as well as a parallel guidance of the pallet fork across the overall height is achieved with the Z-kinematics.

The automatic load stabilizer is also optionally available. The load stabilizer dampens oscillations of the loading system and ensures maximum operational comfort. The safe handling of heavy loads is therefore guaranteed, even on uneven terrain. With the automatic function, the load stabilizer is automatically connected from a speed of 7 km/h (transport operation), and/or automatically disconnected below 7 km/h (load operation). There is also the option to permanently activate or deactivate the load stabilizer for specific applications.

The visual position display for fork (yellow) and bucket (red) can be found on the toggle, as well as the lever, and indicates the position of the bucket and the fork. With this, the alignment of the attachment is made easier and/or the angle of the attachment is more easily visible for the operator. The position indication is a particular advantage for inexperienced operators or where operators are constantly changing, e.g. in rental fleets or large operations.



**Automatic load stabilizer** prevents the machine from rocking and reduces material loss.



**Sturdy loading system** with Z-kinematics, visual position indicator, and optional load hooks.

### Top performance wheel loaders 5035 and 5040:

- strong lift capacity:  
5035 – 11.5 kN  
5040 – 15.8 kN
- spacious cabin with very good all-around visibility and variety of options
- three types of steering for maximum flexibility
- Smart Driving PRO with three interchangeable operating modes for 5040
- two cabin heights for maximum compactness or best all-round visibility



### Two cabin heights

It is possible to freely choose between two cabin heights. The low cabin, with a height of 2.02 m ensures for maximum compactness of the vehicle. The high cabin, with a height of 2.17 m, provides even better all-round visibility and creates the highest level of comfort for the operator.

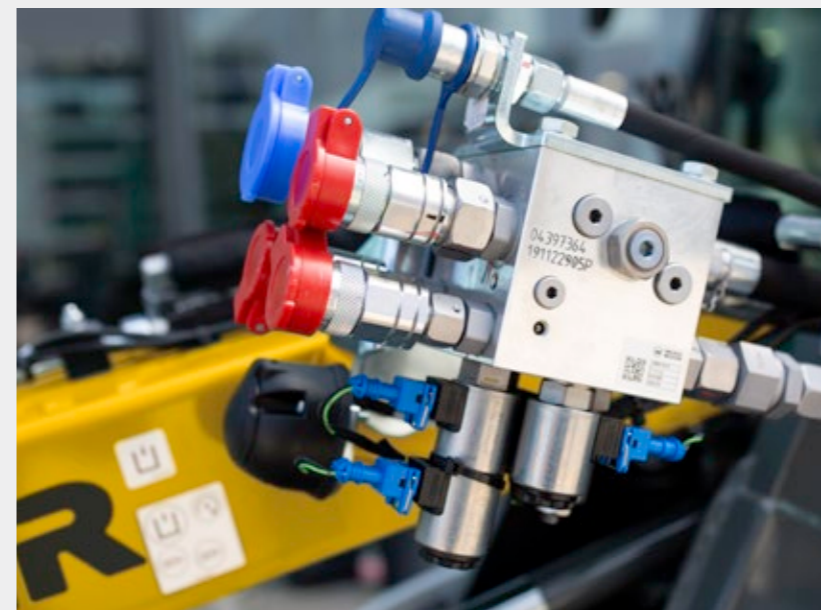
## Powerflow

The wheel loader 5040 is also characterized by its optional Powerflow auxiliary hydraulics. The hydraulics are compact in design on the left side of the loading system, and ensure for perfect visibility of the attachment. No matter whether the 5040 is equipped with a snow blower, mulcher, compacter, or even a soil-processing unit – it is versatile in application with the Powerflow function, and ready for use for any application at any time of the year.



Concept solution for system bearer	5035	5040
3rd control circuit [l/min]*	20	30
Powerflow performance hydraulics [l/min]*	-	56

\*max. pump values



### Pressure release of 3rd control circuit

The button for the optional pressure release of the 3rd control circuit is affixed centrally on the loading system. With this, the different attachments can be quickly and efficiently changed without switching off the engine.

# Machine highlights 5035/5040

The compact genius among wheel loaders

**Smart Driving PRO (5040)**  
Three driving modes at the press of a button (PWR: Power Mode, ECO: Eco Mode, and CSD: Constant Speed Driving) support the operator in their respective applications.

**Flexible in application**  
with a standard 3rd control circuit integrated into the joystick, and the optional pressure release on the loading system. With the Powerflow on the 5040, a powerful drive of hydraulic attachments is possible.

**Loading system with Z-kinematics**  
for high lifting and tearing forces, and precise parallel guidance across the entire lift height.

**Work efficiently**  
thanks to the hydraulic quickhitch system, load stabilizer, and visual position indicator for bucket and fork.

**Three steering types**  
support the maximum maneuverability. All-wheel steering as standard, and optional steering types like front axle and crab steering provide more in terms of flexibility. Switching between the steering types is performed mechanically.

**Two cabin heights (2.02 m/2.17 m)**  
for maximum compactness or maximum comfort.

**Innovative cabin design**  
Glazed areas and viewing channels ensure optimal visibility. The wide step and the door, which can be locked in place to the back, provide a comfortable entry and exit. The side panel contains many functional and ergonomic features. The incline adjustable steering column is also optionally available.

**Two driving speeds**  
can be easily selected while driving. With the 5040, it is also possible to obtain the drive system as sprinter and achieve up to 30 km/h.

**Two engine classes**  
from Yanmar with emission Stage V. 5035 is equipped with an 18.5 kW engine and 5040 with an 28.5 kW engine, incl. DOC and DPF.

**Four wheel hub motors**  
for sensitive work and high thrusting force.

**Undivided vehicle frame**  
for great maneuverability with constant stability.

**Wide range of tire options**  
for a wide range of application areas.



## Stacking what the stuff holds

### Maximum flexibility during the working day

The Kramer wheel loader 5050 is particularly characterized by its low net weight. With the optional additional weights Smart Ballast, which can be easily and discreetly affixed to the rear, the machine's weight can be adapted to any work situation. With its maneuverability, high payload, stacking tipping load, and its ability for transportation, the machine is suitable for the most varied application areas.

The performance package is complemented by safety, comfort, and a wide range of options, which enable all-year-round application.

**Special development of the loading system** ensures for high lifting and tearout forces. Customary stone slabs can be moved without any problem.

**5050**



### Top performance wheel loaders 5050:

- strong lift capacity of 37 kN
- perfect power ratings of 34.3 kW / 46 hp
- optimal transport weight of 2,685 kg as Canopy version
- high bucket pivot point of 2,840 mm
- flexible Smart Ballast weights totaling 100 kg



### Smart Ballast – optional auxiliary weights on the rear

The Smart Ballast weights enable the machine's weight and/or the stacking tipping load to be adjusted by up to 1,700 kg depending on the user's requirements, whereby it is possible to flexibly switch between a working and transportation situation.

The Smart Ballast weights total 100 kg. Each individual weight of the eight weights weighs 12.5 kg.

### Trailer transport

The low net weight without Smart Ballast, and the compact dimensions of the machine make it possible to easily transport it on a 3.5 t trailer. The Smart Ballast weights can be moved on the towing vehicle too. A Class BE license is required.

With the expansion of the portfolio with a customized trailer, which enables the perfect load securing with quick-change plate, nothing is standing in the way of the 5050's full degree of flexibility. Your reliable Kramer dealer will gladly help you further.



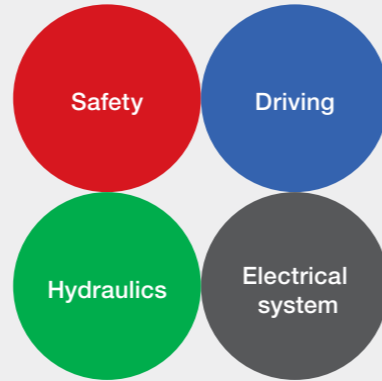
Quick and easy load securing with latching of the Kramer quick change plate directly to the trailer.

## Comfort at work

### Optimal working conditions

Easy operation and functionality are the focus of the machine series. From the operator's seat to the steering wheel, all of the details were consistently aligned to the needs of the operator. In doing so, the operator has a lot of room and always has everything in view.

The compact wheel loaders and telescopic wheel loaders by Kramer prove themselves in terms of their cabin specifications to be space wonders, and with their equipment, they ensure fatigue-free working for many hours. The clearly assigned operating elements create an environment in which the operator can work comfortably and production with concentration. The joystick, as the heart of the machine, enables safe, easy, and intuitive operation.



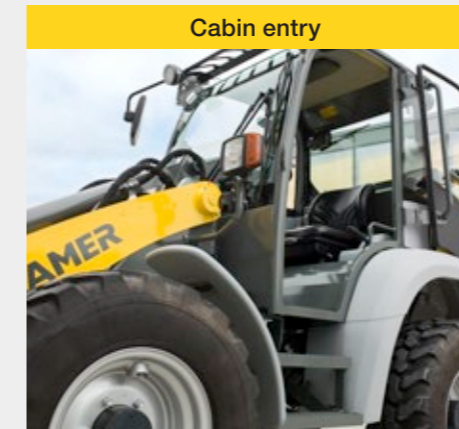
Color-coded switches:  
four colors for even more safety.



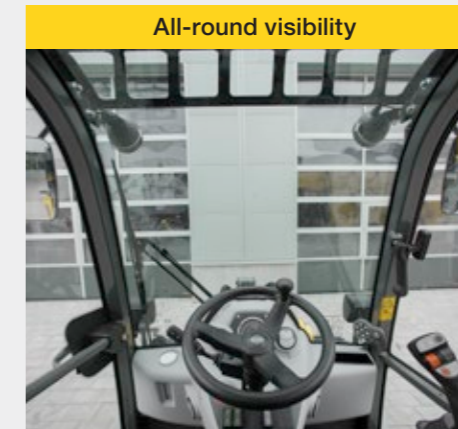
Panoramic cabin for an excellent overview of the attachment and the working environment.

## Technical highlights

### Simple operation – innovative cabin design



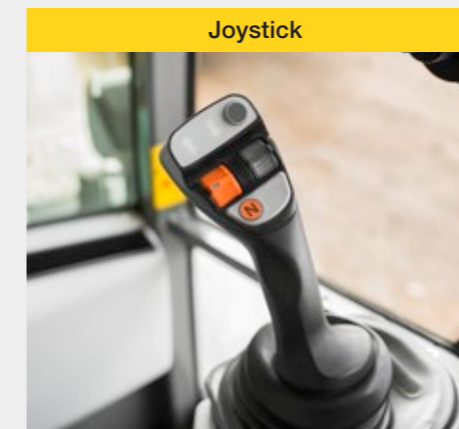
The operator's cabin is reached by the generously designed entrance area. Thanks to the undivided vehicle frame, it is also possible to enter comfortably with the maximum steering angle. The entry is designed with steps. To make the safe entry and exit easier for the operator, there are handles positioned in ergonomically favorable positions.



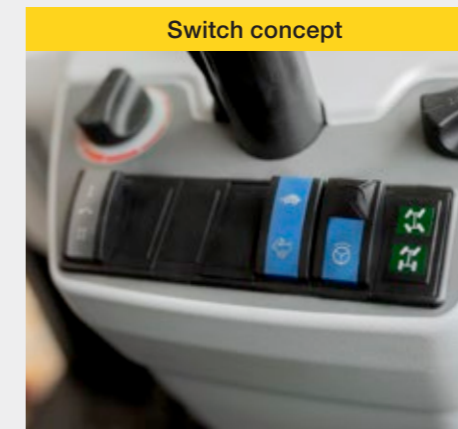
The central seating position of the operator provide 360° all-round visibility. "Blind spots" are prevented with the particularly clear design. You can even see everything to the rear. Even with an extended telescopic loader unit on the 5065T, the operator has a perfect view of the attachment.



The machine provide the best prerequisites for low clearance heights. All machine have a total height of under 2.5 m. Due to the compact design of the wheel loader 5050, it is possible to easily transport it on a 3.5 t trailer.



Above all, when it is getting dark, the joystick displays its strengths. In night mode, the different buttons and wheels are backlit with color. The operator can therefore immediately identify the respective functions and will securely have everything in order.



With the color-coordinated switches, the respective functional groups can be very quickly recognized. Red = safety, green = hydraulics, blue = driving, and gray = electrics. With this, the operator is guaranteed comfortable and safe operation without the danger of switching. The result is an increased work efficiency for the operator.



The powerful heater with heated windshields and heater nozzles in the footwell ensure comfortable working conditions, even on the colder days. A fully integrated air-conditioning system is also optionally available. The combined brake-inch pedal enables sensitive maneuvering, even at high engine speeds.

## Powerful hydraulics

### For sensitively controlling the machine

Couple and uncouple different attachments, sensitive control, quick working cycles, and all of this with low noise levels in the cab: The technology behind the work hydraulics of our machines makes this possible.

The work hydraulics are supplied by powerful gear pumps, which guarantee the quick work cycles of the loading system, and enable the operation of special attachments via the 3rd control circuit, if necessary even with a continuous function.

**Pressure release of 3rd control circuit:**  
Easy coupling and uncoupling of attachments with hydraulic auxiliary functions



## Powerflow\*

The machines can be equipped with different hydraulic attachments for the many application and industry areas, thus becoming true multi-functional tools.

No matter what work is due completion, whether it is with a sweeping machine, snow blower, mulcher, or a compactor, the wheel loaders by Kramer can be used all year round.

\* not for 5050



Concept solution for system bearer	5050	5055	5065	5065T
3rd control circuit [l/min]*	56	56	56	56
Powerflow performance hydraulics [l/min]*	-	90	90	90

\*max. pump values

## High-speed gearbox – variable up to 30 km/h

The variable hydrostatic high-speed gearbox provides optimal prerequisites up to 30 km/h. This provides the wheel loader with both optimal tractive force and low diesel consumption.

The overdrive is used for the movement on straight stretches or on roads.



## Three loading systems

Depending on the requirement, there are up to three different loading systems available. The standard and the optionally extended loader units are both guided parallel, and guarantee a consistent lift capacity, as well as a safe operation in materials handling.

### Standard loader unit (PZ-kinematics)



The parallel-guided loader unit guarantees constant lift capacity, and a safe operation in materials handling. With a backwards-tilt angle of up to 45° and a dump angle of up to 45°, the wheel loader loses no material when using the bucket, even when full, and enables the complete emptying of the bucket.

- precise and safe working is possible
- high lifting tearout forces
- exact parallel guidance across the entire lift height

### Extended loader unit (P-kinematics)



Through the extended loader unit, it is possible to be even more flexible upon the customer's wish. Among other things, the range, payload, and lift height are different when compared with the standard loader unit.

- optimal view of the quickhitch facility and the attachment
- increased lift height
- extension of the loader unit by 190 mm (5055, 5065)

### Telescopic loader unit (Z-kinematics)



The compact box design of the telescopic loader unit makes the view of the attachment unique. The benefits of Z-kinematics: When tipping the bucket in with the same cylinder size, a greater tear out force is generated as the piston side of the hydraulic cylinder is impinged when tipping in.

- high tear out forces
- good view of the quick coupler system and the attachment
- additional load-over height and stacking height, as well as range and dump reach

5050 - 5065T

## Machine highlights 5050 - 5065T

Externally sturdy, internally functional



**Reduced operating costs**  
through optimum power to weight ratio  
and compact dimensions.

**More reach and lift height**  
due to a telescoping loader unit.

**Fatigue-free working**  
thanks to the spacious and ergonomic cabin,  
which is installed as standard (5065) or optionally.

**Gentle retraction and extension**  
thanks to the end position damping in the extension system.

**High reliability**  
through easily accessible maintenance points  
and proven components.

**Flexible in application**  
with a 3rd control circuit, pressureless return  
with leakage oil line and front outlet.

**Smart Ballast (5050)**  
adapt the machine's payload and  
weight quickly and easily.

**High bucket apron, long bucket base  
and large tilt-in and tilt-out angle**  
for secure and quick material transport  
with a high degree of filling.

**Variable drive system**  
with two steering types (all wheel steering and  
optionally front wheel steering)  
as well as a travel speed of up to 30 km/h.  
Furthermore, there are two travel speeds available.

**The hydraulic quickhitch facility**  
makes the Kramer an all-rounder in seconds, right from  
the operator's seat. Work efficiently with a parallel-guided  
loader unit with P-kinematics for wheel loaders and with  
Z-kinematics for the telescopic wheel loader.

**Excellent traction**  
thanks to the 100% connectible differential lock  
in the front axle with 5065 and 5065T  
(optionally with 5050, 5055) and the various tire options.

**Wide and safe entry**  
thanks to the single-piece frame and all-wheel steering.

# zero emission

Innovation and sustainability are Kramer's key values and the main driving factors for the design and development of new machines. For many years, we have been searching for alternative forms of energy and drive technologies to achieve our goal of developing machines, which are sustainable and environmentally friendly yet simultaneously powerful machines.

Electric mobility is playing an ever more important role in the construction industry. The 5065e is best suited to working in low-noise environments, for example in sensitive environments like residential areas, urban areas, parks, zoos, and cemeteries, as well as in regions with a high level of tourism. The machine works very quietly and is completely free of CO<sub>2</sub> emissions. As a result, it is also possible to work inside or in greenhouses without any restrictions. The 5065e's performance complies with that of the diesel wheel loader of the same size class and does not lack in any way, shape or form.



## Into the future with electric drive Its advantages at a glance

With the electric wheel loader 5065e, CO<sub>2</sub> restrictions, soot particle limit values or noise emission values to be maintained, will no longer play a role in your daily work. The fully electrically operated wheel loader works completely free of emissions, protects the environment and end users, and also knows how to score in terms of efficiency and profitability.



### Ecological advantages

- low carbon footprint
- no particulate matter pollution for end user or environment
- conserves resources



### Absolutely no exhaust fumes

- work can be carried out efficiently indoors
- working in tunnels without expensive ventilation systems is now possible
- no impact on air quality for urban applications thanks to an entirely emissions-free mode of operation
- no emissions whatsoever when working in zoological gardens or parks



### Low noise pollution

- ideal for noise-sensitive areas such as city centers, cemetery maintenance, hotel facilities, parks and local recreation areas
- perfectly suitable for winter service (e.g. hotel trade and municipal use)
- less noise disturbance for (new) residential areas



### Economic advantages

- future-oriented technology
- low maintenance costs
- work up to 4 hours without interim charging\*

\* Data depends on machine equipment, application and environmental factors and may vary.

## Clear cab design

### For highest level of work performance

Ergonomics, efficiency, and clarity are the three significant benefits here. The spacious cabin provides a comfortable and low-noise workspace, which contributes to fatigue-free working.

The Kramer 5065e is equipped with a soundproofed, vibration-damped cab with heat insulation glazing, as standard. The cabin is impressive internally with the detailing, like the intuitive joystick and the optional air-cushioned operator's seat. Using the display, it is possible to see all the important information for the machine. The color-coded switches ensure for a high degree of clarity and user-friendliness. Furthermore, the operator has different storage options available to them.



Quickly accessible emergency switch, so that the machine can be immediately transferred to a safe state in an emergency.



All-round glazed cabin for an optimal view of all sides.

## Technical highlights

### Simple operation – innovative cabin design

Cabin entry



The operator's cabin is easily and comfortably accessible via a wide entry area. Included within this are two generous steps, which are organized one on top of the other. Furthermore, they are anti-slip and provide safety for the operator in any weather. The handles are easy to reach and affixed in grip-friendly positions.

All-round visibility



The free-visibility cabin and the ideally positioned B pillars provide excellent All-round visibility. A panoramic front windshield is installed as standard. The flat, sloping battery cover ensures an excellent view to the rear. In addition to this, there is a fin in the center of the hood to improve orientation when reversing.

Travel speeds



There is a button integrated on the joystick for both travel speeds: Tortoise and hare. The operator has the option to comfortably adjust the maximum travel speed at any time. This is also possible while driving. The respective travel speed symbol is displayed on the display. The maximum travel speed is also dependent on the respective operating mode.

Driving modes



The two driving modes, Eco and Power (PWR) can be determined using the toggle. In Eco mode the travel speed is, among other things, reduced to maximum 14 km/h. With this, the operator can save energy and they gain additional running time. In PWR mode, the vehicle has its full vehicular power at its disposal. The travel speed is maximum 20 km/h.

Heater



Alongside the air heating, the cabin respectively has an optional energy-saving front and rear heated windshield, heated seats, and a panel heating system. As a result, specific, targeted areas are heated instead of the entire air volume. The panel heating can be found in the vehicle roof and below the operator's seat. Additionally, the cabin is well insulated with insulation matting so that the heat is not lost.

Other cabin features



To pre-heat the cabin, it is possible to order a heating unit. A high-quality Continental Bluetooth auto-radio with hands-free unit, DAB+, AUX, and USB is optionally available.



## Power for a working day

### Productive running times supported by recovery

The electric running time varies depending on many factors such as individual driving behavior, type of use, machine equipment, and environmental conditions. It is possible to work up to 4 hours without interim charging.

Through the recovery – energy recovery – it is possible to extend the running time. As soon as the operator takes their foot off the accelerator pedal, the drive system switches to recovery. This means that the kinetic energy of the wheel loader is converted into electrical energy and recovered.



## Everything at a glance

All the important information is presented on the display. Included herein, among other things, is the remaining running time of the machine, the recovery, the travel speed, or even the charge status of the battery. These are displayed as percentages. If the battery is charging, there is a thunderbolt on the battery symbol and the charging capacity is displayed.



### Top performance fully-electric wheel loader 5065e:

- no exhaust emissions and clearly reduced noise level
- efficient and high-quality lithium-ion battery with 37.5 kWh
- low maintenance costs when compared with the diesel machines
- maximum flexibility when charging through different charging plug types
- easy access to the charging outlet

## Innovative battery technology

### Modern and flexible charging

The 5065e is equipped with a lithium ion battery with a capacity of 37.5 kWh. This has a guaranteed battery life of min. 5 years or 2,000 charging cycles. After this time, it is guaranteed that the battery has a residual capacity of min. 80%.

The lithium ion battery is monitored by a so-called Battery Management System (BMS). A battery heater has also been integrated into the battery, which ensure optimal operating temperature. Furthermore, the machine has a 9 kW AC on-board charger. The on-board battery charger is permanently installed in the machine. Thus, the battery can be charged using any customary, household outlet. It is likewise possible to charge at a wallbox or a public charging point. To prevent the electric wheel loader from overheating, it is equipped with a cooling system.



### Charge cable

To charge the machine there are four charging plug options available. The charging capacity is restricted by the type of charging plug and the charging capacity of the on-board charger. In the event of a 9 kW on-board charger, the full charging capacity can only be achieved with the Type 2 and CEE 5-pole plug. The charging cables are stored in the rear under the battery cover.

- Schuko mains plug 230V/16A
- CEE, 3-pole 230V/16A (blue)
- CEE, 5-pole 400V/16A (red)
- Type 2 (IEC 62196)

### Easy charging

The charging console is below the battery cover in the rear ballast weight on the entry side. It is possible to charge the battery to 80% in approx. 3 hours.

#### Connecting the charging cable



Open the charging console and connect the charging cable to the machine.

#### Start charging procedure



Activate pressure switch\* to start the charging procedure. The charge status indicator on the rear of the machine starts to flash.

#### End charging procedure



The charge status indicator will illuminate continuously as soon as the charging procedure is automatically ended.

#### Remove charging cable



Activate pressure switch\* and remove charging plug. Then close charging console and store charging cable.

\* Pressure switch is also optionally available as a key switch.

# Machine highlights of the 5065e

Future-proofed and thought-out to the last detail

**Digital color display**  
for monitoring and setting all important functions of the machine e.g. range indicator.

**Comfortable workplace**  
no exhaust fumes, minimal noise level and low vibration.

**BMS – Battery Management System**  
monitors, for example, the battery temperature. Battery efficiency and safety are increased and deep discharges are eliminated.

**Innovative battery technology**  
with a 96 V lithium-ion battery and a capacity of 37.5 kWh.

**Recovery - energy recovery:**  
Automatic charging of the battery e.g. when driving down hills.

**Optimal view to the rear**  
thanks to flattened battery hood design.

**Quickhitch System - Smart Attach:**  
Hydraulic attachments are conveniently and safely coupled from the cab without having to get in and out.

**Excellent performance values**  
up to 20 km/h - with compact dimensions and low net weight.  
Towing capacity up to 3.5 t.

**Low Operating Costs**  
and low maintenance compared to conventional diesel power.

**All-wheel and front-wheel steering**  
two steering types that can be changed while driving and ensure flexibility.

**Parking brake with hold and locking function,**  
prevents the machine from rolling backwards on a hill and ensures safe parking.

**Easy charging process**  
without opening the hood.  
The charging hatch is easily accessible at the side in the rear of the vehicle.

**Fast charging**  
thanks to an integrated charger with up to 9 kW.  
Different charging cables and adapters are available.



## Diverse tasks

### Always the right attachments

No matter what challenge your application holds: With the different attachments, you always have a handle on the situation. Thanks to the hydraulic quickhitch system, you can adapt your Kramer wheel loader to any situation in no time at all. Standard attachments can even be changed in less than 10 seconds.

You decide which attachment you need, entirely according to your needs. Learn more about our attachments here: [www.kramer.de/attachments](http://www.kramer.de/attachments)



Change in record time!

## Attachment range

Pallet forks	Pallet forks fold-down	Pallet forks hydraulic parallel adjustment	Standard bucket with rip-out teeth
Standard bucket without rip-out teeth	Standard bucket without rip-out teeth with screw hinge	Grapple bucket with rip-out teeth	Grapple bucket without rip-out teeth
Side swing bucket	Snowplow Type A	Snowplow Type B	Salt spreader

The exact specifications and availabilities of attachments differ depending on the model and country. Your reliable Kramer dealer will gladly help you further.

### Kramer quickhitch system – Standard: 5035, 5040, 5050, 5055, 5065, 5065T, 5065e



With the hydraulic quickhitch system it is possible to perform the tool change simply from the cabin. The locking pin is closed with the push of a button on the joystick. When changing attachments with a hydraulic auxiliary function, it is necessary for the operator to step out of the machine for the manual coupling of hoses.

### Kramer quickhitch system – Smart Attach: 5065e (option)



Smart Attach is a hydraulic quick coupler system combined with an automatic coupling system developed by Kramer. The manual change-over of hydraulic hoses is no longer necessary and the operator need not leave the machine anymore. Operation is as usual via the joystick directly from the cabin.

## Tire tread range



- good self-cleaning
- good flank protection
- high running performance

**Universal tread – BKT**  
5035, 5040



- high running performance
- high level of traction
- good mobility on soft ground
- good self-cleaning

**Construction machine tread – Mitas**  
5035, 5040



- good track guidance
- high level of driving safety
- good self-cleaning
- high running performance

**Traction tread – Mitas**  
5035, 5040



- good self-cleaning
- good lateral stability
- high running performance especially on hard and aggressive substrates
- high level of traction

**Industry tread – Michelin**  
5035, 5040



- good winter serviceability
- high running performance
- noise-optimized
- for use on and off of the road

**Municipal tread – Continental**  
5035, 5040



- high running performance
- good self-cleaning
- good mobility on soft ground
- high level of traction

**Universal tread – Alliance**  
5050, 5055, 5065, 5065T, 5065e



- high load-bearing capacity
- high level of traction
- excellent stability and improved driving comfort
- high level of running smoothness

**Multi-purpose tread – Michelin**  
5050, 5055, 5065, 5065T, 5065e



- good resistance
- smooth running on the road
- high level of traction
- for use on and off of the road

**Multi-purpose tread – Alliance**  
5050, 5055, 5065, 5065T, 5065e



- good self-cleaning
- ideal for loamy grounds
- high level of traction
- smooth running on the road

**Traction tread – Mitas Premium**  
5050, 5055, 5065, 5065T



- smooth running on the road
- good resistance
- well-suited to sand and gravel

**Municipal tread – Alliance**  
5050, 5055, 5065, 5065T, 5065e



- high level of traction
- well-suited on sand and gravel
- good resistance

**Municipal tread – Nokian**  
5050, 5055, 5065, 5065T, 5065e



- very good traction on hard ground
- excellent stability
- impervious to incisions and impact

**Multi-purpose tread – Firestone**  
5055, 5065, 5065T, 5065e

The right wheel loader tires play an important role in applications. Precise specifications and availabilities of tires differ depending on the model and country. Your reliable Kramer dealer will gladly help you further.



## EquipCare – Telematics

### All information at a glance

Always one step ahead, because EquipCare provides data, facts and answers to the questions: Where is my machine at the moment and when is maintenance and the replacement of wear parts economically sensible? This helps you avoid breakdowns and increase the service life of your machine.

#### How does it work?

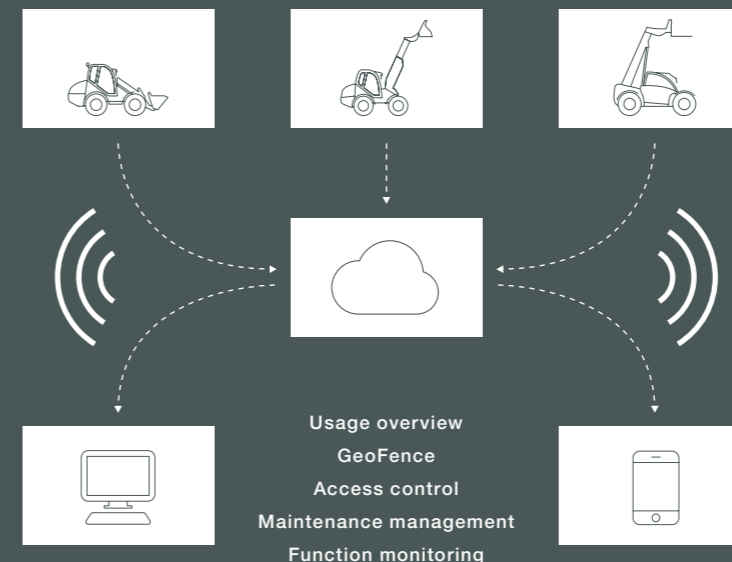
EquipCare is installed as standard in all Kramer vehicles. It includes a telematics module, which collects data from the machine and transfers it to the manager or the app via a cloud. Here you can view and assess the data as the EquipCare User.

The EquipCare Manager is the main portal for the telematics data of your vehicles, and is controlled via the computer. The app is for mobile access and keeps you in the know precisely wherever you may be.

#### Your benefits:

Thanks to EquipCare, you always know where your machine is currently located. If the machine leaves a previously defined geozone, you will receive a push notification on your smartphone or your computer. All events are shown here in detail – from error messages to the maintenance that is pending. Even the unnecessary downtimes are prevented and the operating duration is precisely recorded.

The machine has detected a problem? This automatically notifies the system at your dealer on-site and the first remote diagnostics can be performed to prevent any interruption. Thanks to the proactive communication of your machine, you will be promptly informed.



You will find all information here:  
[www.kramer.de/equipcare](http://www.kramer.de/equipcare)

SEARCH NOW!



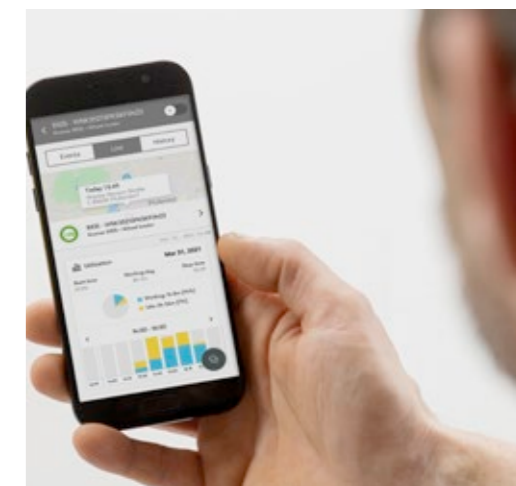
# EQUIPCARE

The telematics portal is available to you around the clock:



**EquipCare – Manager:** The exact position or GPS data of your machines can be seen at any time in your password-protected area.

[www.kramer.de/equipcarelogin](http://www.kramer.de/equipcarelogin)



**App:** The app provides you with a variety of functions so that you can always access your machine's data and information, even if you're on the road. Simply download and install the app from the Google Play Store or the Apple App Store.

◀ To the app

# Top performance

---

## Dimensions and power-to-weight ratio

- perfect ratio between payload and operating weight
- effortlessly transport on a 3.5 t trailer (5035, 5040, 5050)
- time and fuel-saving, economical application thanks to the small turning radius
- economic power-to-weight ratio

---

## Engines

- high-torque and economical engines from Yanmar
- modern exhaust after-treatment with DOC + DPF
- newest engine technology with exhaust emission Stage V

---

## Wheel loaders 5035 and 5040

- strong lift capacity: 5035 - 11.5 kN, 5040 - 15.8 kN
- spacious cabin with very good all-around visibility and variety of options
- three types of steering for maximum flexibility
- Smart Driving PRO with three interchangeable operating modes for 5040
- two cabin heights for maximum compactness or best all-round visibility

---

## Wheel loader 5050

- strong lift capacity of 37 kN
- perfect power ratings of 34.3 kW / 46 hp
- optimal transport weight of 2,685 kg as Canopy version
- high bucket pivot point of 2,840 mm
- flexible Smart Ballast weights totaling 100 kg

---

## Telescopic wheel loader 5065T

- plus 50% lift and dumping height
  - plus 42% stacking height
  - plus 38% load-over height
- e.g. for the storage of materials, stacking pallets, filling high-walled trucks, trailers or containers

---

## Fully electric wheel loader 5065e

- no exhaust emissions and clearly reduced noise level
- efficient and high-quality lithium-ion battery with 37.5 kWh
- low maintenance costs when compared with the diesel machine
- maximum flexibility when charging through different charging plug types
- easy access to the charging outlet

# Technical data

Engine	Unit	5035	5040	5050	5055	5065	5065T
<b>Make</b>	–	Yanmar	Yanmar	Yanmar	Yanmar	Yanmar	Yanmar
<b>Type/Model</b>	–	3TNV82A	3TNV86CT	4TNV88C	4TNV88C (standard) 4TNV86CT (option)	4TNV88C (standard) 4TNV86CT (option)	4TNV88C (standard) 4TNV86CT (option)
<b>Output</b>	<b>kW</b>	18.5	28.5	34.3	34.3 (standard) 41.1 (option)	34.3 (standard) 41.1 (option)	34.3 (standard) 41.1 (option)
<b>Max. torque</b>	<b>Nm at rpm</b>	85.5 at 1,200	132.2 at 1,690	140.4 at 1,820	140.4 at 1,820 167 at 1,820 (option)	140.4 at 1,820 167 at 1,820 (option)	140.4 at 1,820 167 at 1,820 (option)
<b>Displacement</b>	<b>cm<sup>3</sup></b>	1,331	1,568	2,190	2,190 (standard) 2,091 (option)	2,190 (standard) 2,091 (option)	2,190 (standard) 2,091 (option)
<b>Exhaust emissions stage</b>	–	EU stage V	EU stage V	EU stage V	EU stage V	EU stage V	EU stage V
<b>Power transmission</b>	Unit						
<b>Drive system</b>	–	infinitely variable hydrostatic drive					
<b>Speed</b>	<b>km/h</b>	20	20 (standard) 30 (option)	20 (standard) 30 (option)	20 (standard) 30 (option)	20 (standard) 30 (option)	20 (standard) 30 (option)
<b>Axles</b>	–	Axle carrier made of cast steel with wheel hub motors		Planet joint axle	Planet joint axle	Planet joint axle	Planet joint axle
<b>Oscillating angle</b>	°	±7	±7	±8	±8	±8	±8
<b>Differential lock</b>	%	Compensation differential hydraulic (option)	Compensation differential hydraulic (option)	100% (option VA)	100% (option VA)	100% VA	100% VA
<b>Operating brake</b>	–	Hydrostatic	Hydrostatic	hydr. disc brake		hydr. disc brake	
<b>Parking brake</b>	–	Spring-loaded multi-plate braking system electro-hydraulically controlled to HA		mech. disc brake		mech. disc brake	
<b>Standard tires</b>	–	27x10.5-15	27x10.5-15	10.5-18	10.5-18	12.0-18	12.0-18
<b>Steering and work hydraulics</b>	Unit						
<b>Functional steering</b>	–	Hydrostatic all-wheel steering with emergency steering properties					
	–	Front-wheel-drive and crab steering (option)			Front wheel steering (option)		
<b>Functional work hydraulics</b>	–	Gear pump					
<b>Steering cylinder</b>	–	double-acting with independent final position synchronization					
<b>Steering lock max.</b>	°	38	38	38	38	38	38
<b>Max. pumping capacity (pump)</b>	l/min	20	30	56	56	56	56
<b>Max. flow rate pump optional</b>	l/min	-	56	-	90	90	90
<b>Max. pressure</b>	bar	240	240	240	240	240	240
<b>Quickhitch system</b>	–	HV/WL - S			HV/WL - C		
<b>Pilot control</b>	–	Mechanical					
<b>Pilot control 3rd control circuit</b>	–	Electrical					

# Technical data

Kinematics	Unit	5035	5040	5050	5055	5065	5065T
<b>Design system</b>	–	Z-kinematics	Z-kinematics	P-kinematics	P-kinematics	P-kinematics	Z-kinematics
<b>Lift force calculation acc. to ISO 14397-2 hydraulic</b>	<b>kN</b>	11.5	15.8	37	32.5	32.5	32.5
<b>Break out force acc. to ISO 14397-2</b>	<b>kN</b>	12.2	13.3	31.7	28	28	28
<b>Raising/lowering lift cylinder</b>	<b>s</b>	6 / 4.5	6 / 4.5	4.6 / 2.9	4.8 / 3.2	4.8 / 3.2	6.7 / 5
<b>Fill/empty tipping cylinder (upper position loading system)</b>	<b>s</b>	2.4 / 3.3	2.2 / 2.4	2.6 / 3.1	2.1 / 2	2.1 / 2	3.5 / 3
<b>Return and dump angles</b>	°	43 / 40	43 / 40	45 / 40	43 / 45	43 / 45	30 / 40
<b>Shovel tipping load</b>	<b>kg</b>	1,200	1,400	1,800	1,980	2,800	2,500
<b>Stacking payload S=1.25</b>	<b>kg</b>	750	900	1,200 (1,360)*	1,600	1,750	1,650
<b>Filling levels</b>	Unit						
<b>Fuel tank</b>	<b>l</b>	48	48	60	60	60	60
<b>Hydraulic oil tank</b>	<b>l</b>	40	40	58	58	58	58
<b>Electrical system</b>	Unit						
<b>Operating voltage</b>	<b>V</b>	12	12	12	12	12	12
<b>Battery / alternator</b>	<b>Ah/A</b>	74 / 55	74 / 55	74 / 80	74 / 80	74 / 80	74 / 80
<b>Starter</b>	<b>kW</b>	1.7	1.7	2.3	2.3	2.3	2.3
<b>Noise emissions**</b>	Unit						
<b>Measured value</b>	<b>dB(A)</b>	99	99	100.3	100.3	100.3	100.3
<b>Guaranteed value</b>	<b>dB(A)</b>	101	101	101	101	101	101
<b>Noise level in the driver's cab</b>	<b>dB(A)</b>	80	80	79	79	79	79
<b>Vibrations***</b>	Unit						
<b>Total vibration value of the upper body armature</b>	<b>m/s<sup>2</sup></b>	< 2.5 m/s <sup>2</sup> (< 8.2 feet/s <sup>2</sup> )					
<b>Maximum effective value of the weighted acceleration for the body</b>	<b>m/s<sup>2</sup></b>	< 0.5 m/s <sup>2</sup> (< 1.64 feet/s <sup>2</sup> )**** 1.28 m/s <sup>2</sup> (4.19 feet/s <sup>2</sup> )*****					

\* with Smart Ballast (8 x 12.5 kg)

\*\* Information: The measurement is carried out according to the requirements of the EN 474 standard and Directive 2000/14/EC. Measuring place: Asphalted surface.

\*\*\* Uncertainty of measurement as specified in ISO/TR 25398:2006. Please train or inform the operator about possible dangers caused by vibrations.

\*\*\*\* on flat and solid ground with corresponding driving

\*\*\*\*\* Application in extraction under harsh environmental conditions

## Technical data

Battery	Unit	5065e
Battery technology	-	Lithium ion battery
Battery voltage class	V	96
Guaranteed battery life*	Years / cycles	5 / 2,000
Battery capacity	kWh	37.5
On-board charging performance**	kW	9
Charging time 230 V / 16 A Schuko 0- 100%	h	18
Charging time 230 V / 16 A CEE (blue, 3-pole) 0- 100%	h	13.4
Charging time 400 V / 16 A CEE (red, three-phase current, 5-pole) 0 - 100%	h	5.1
Charging time 400 V / 16 A (Type 2 plug Wallbox, IEC 62196) 0 - 100%	h	5.1 (dependent on loading system)
Charging time up to	h	4 hours without interim charging
Electric motor		
Drive system performance S2 60 min***	kW	23.2
Work hydraulics performance S3 15%***	kW	25.2
Power transmission	Unit	
Drive system	-	infinitely variable electric drive
Speed	km/h	20
Axles	-	Planet joint axle
Oscillating angle	°	±8
Differential lock	%	100% VA
Operating brake	-	Hydraulic disc brake
Parking brake	-	electrically activated hill-hold function
Standard tires	-	12.0 - 18

\* After this time, it is guaranteed that the battery has a residual capacity of min. 80%. Even after this, the battery can continue to be used.

\*\*\* acc. to EN 60034-1

\*\* Depending on the respective current source (available outlet and charging cable).

## Technical data

Steering and work hydraulics	Unit	5065e
Functional steering	-	Hydrostatic all-wheel steering with emergency steering properties Front wheel steering option
Functional work hydraulics	-	Gear pump
Steering cylinder	-	double-acting with independent final position synchronization
Steering lock max.	°	38
Max. flow rate pump optional	l/min	54.5
Max. pressure	bar	230
Quickhitch system	-	HV/WL - C
Pilot control	-	Mechanical
Pilot control 3rd control circuit	-	electrohydraulic
Kinematics	Unit	
Design system	-	P-kinematics
Lift force calculation acc. to ISO 14397-2 hydraulic	kN	32.8
Break out force acc. to ISO 14397-2	kN	28.1
Raising/lowering lift cylinder	s	5.3 / 3.2
Fill/empty tipping cylinder (upper position loading system)	s	1.5 / 1.8
Return and dump angles	°	48 / 42
Shovel tipping load	kg	2,800
Stacking payload S=1.25	kg	1,750
Filling levels	Unit	
Hydraulic oil tank	l	40
Noise emissions *	Unit	
Measured value	dB(A)	84.7
Guaranteed value	dB(A)	87
Noise level in the driver's cab	dB(A)	71
Vibrations **	Unit	
Total vibration value of the upper body armature	m/s <sup>2</sup>	< 2.5 m/s <sup>2</sup> (< 8.2 feet/s <sup>2</sup> )
Maximum effective value of the weighted acceleration for the body	m/s <sup>2</sup>	< 0.5 m/s <sup>2</sup> (< 1.64 feet/s <sup>2</sup> )*** 1.28 m/s <sup>2</sup> (4.19 feet/s <sup>2</sup> )****


\* Information: The measurement is carried out according to the requirements of the EN 474 standard and Directive 2000/14/EC. Measuring place: Asphalted surface.





\*\*\* on flat and solid ground with corresponding driving

\*\*\*\* Application in extraction under harsh environmental conditions

\*\* Uncertainty of measurement as specified in ISO/TR 25398:2006. Please train or inform the operator about possible dangers caused by vibrations.

## Technical data

5035: Standard loader unit	Unit	Standard bucket with rip-out teeth	Standard bucket without rip-out teeth	Grab bucket with rip-out teeth	Grab bucket without rip-out teeth
					
Bucket capacity	m <sup>3</sup>	0.35	0.35	0.23	0.23
Material density	t/m <sup>3</sup>	1.80	1.80	1.80	1.80
Attachment total length	mm	780	685	774	678
Vehicle total length without attachment	mm	3,460	3,460	3,460	3,460
Vehicle total length with attachment tilted max. 200 mm above ground	mm	4,050	3,980	4,090	4,020
Bucket width	mm	1,250	1,250	1,250	1,250
Bucket pivot point	mm	2,800	2,800	2,800	2,800
Load-over height	mm	2,680	2,680	2,600	2,600
Dumping height	mm	2,290	2,290	2,240	2,240
Dump reach	mm	260	260	200	200
Scraping depth	mm	60	60	140	140
Attachment weight	kg	113	109	156	151

5040: Standard loader unit	Unit	Standard bucket with rip-out teeth	Standard bucket without rip-out teeth	Grab bucket with rip-out teeth	Grab bucket without rip-out teeth
					
Bucket capacity	m <sup>3</sup>	0.36	0.36	0.23	0.23
Material density	t/m <sup>3</sup>	1.80	1.80	1.80	1.80
Attachment total length	mm	829	753	677	773
Vehicle total length without attachment	mm	3,460	3,460	3,460	3,460
Vehicle total length with attachment tilted max. 200 mm above ground	mm	4,090	4,040	4,090	4,020
Bucket width	mm	1,400	1,400	1,400	1,400
Bucket pivot point	mm	2,800	2,800	2,800	2,800
Load-over height	mm	2,680	2,670	2,600	2,600
Dumping height	mm	2,260	2,240	2,240	2,240
Dump reach	mm	290	300	200	200
Scraping depth	mm	60	70	140	140
Attachment weight	kg	129	137	189	183

## Technical data

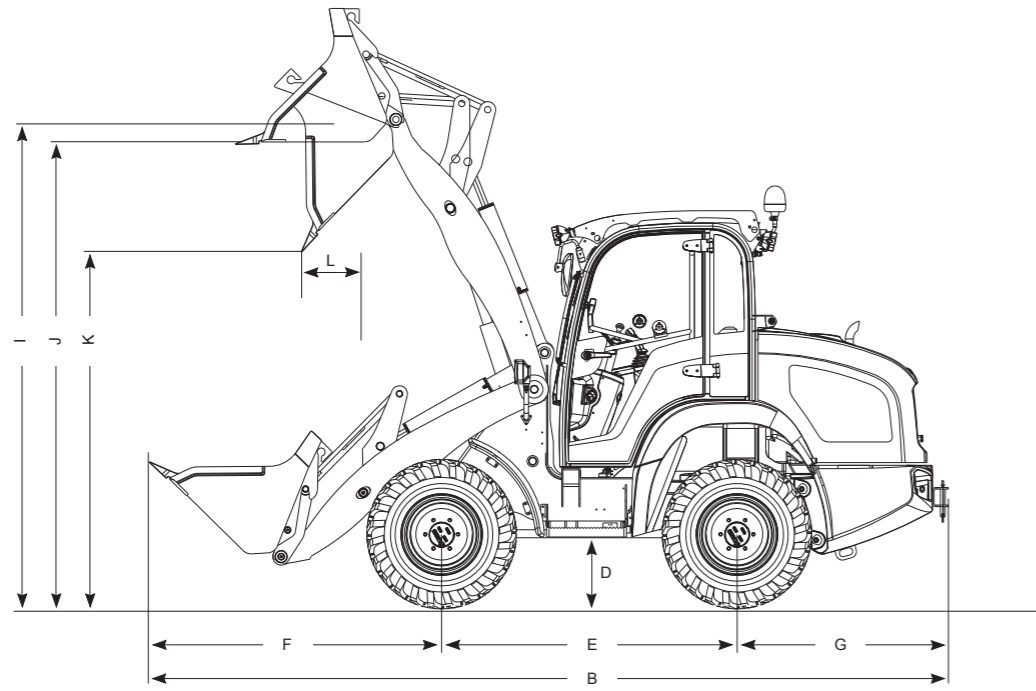
5065e: Standard loader unit	Unit	Standard bucket with rip-out teeth	Standard bucket without rip-out teeth	Standard bucket without rip-out teeth	Grab bucket with rip-out teeth
					
Bucket capacity	m <sup>3</sup>	0.65	0.65	0.80	0.57
Material density	t/m <sup>3</sup>	1.80	1.80	1.60	1.80
Attachment total length	mm	1,000	860	975	1,080
Vehicle total length without attachment	mm	4,130	4,130	4,130	4,130
Vehicle total length with attachment tilted max. 200 mm above ground	mm	5,110	5,010	5,090	5,110
Bucket width	mm	1,650	1,650	1,850	1,650
Bucket pivot point	mm	3,017	3,017	3,017	3,017
Load-over height	mm	2,850	2,830	2,830	2,850
Dumping height	mm	2,320	2,290	2,210	2,320
Dump reach	mm	330	340	420	330
Scraping depth	mm	110	130	130	110
Attachment weight	kg	244	244	291	479

5065eL: Extended loader unit	Unit	Standard bucket with rip-out teeth	Standard bucket without rip-out teeth	Standard bucket without rip-out teeth	Grab bucket with rip-out teeth
					
Bucket capacity	m <sup>3</sup>	0.55	0.55	0.80	0.57
Material density	t/m <sup>3</sup>	1.80	1.80	1.40	1.80
Attachment total length	mm	950	820	980	1,080
Vehicle total length without attachment	mm	4,440	4,440	4,440	4,440
Vehicle total length with attachment tilted max. 200 mm above ground	mm	5,350	5,260	5,370	5,390
Bucket width	mm	1,650	1,650	1,850	1,650
Bucket pivot point	mm	3,280	3,280	3,280	3,280
Load-over height	mm	3,080	3,070	3,070	3,080
Dumping height	mm	2,590	2,560	2,450	2,550
Dump reach	mm	420	420	540	450
Scraping depth	mm	110	130	130	110
Attachment weight	kg	230	230	292	479

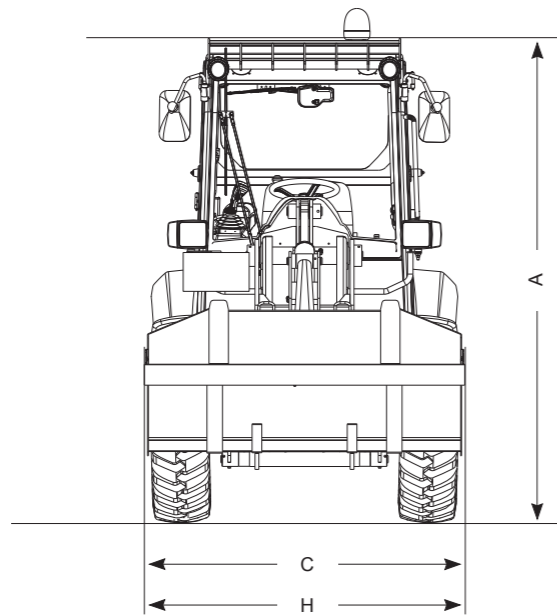


# Dimensions

Side view



Front view



# Dimensions

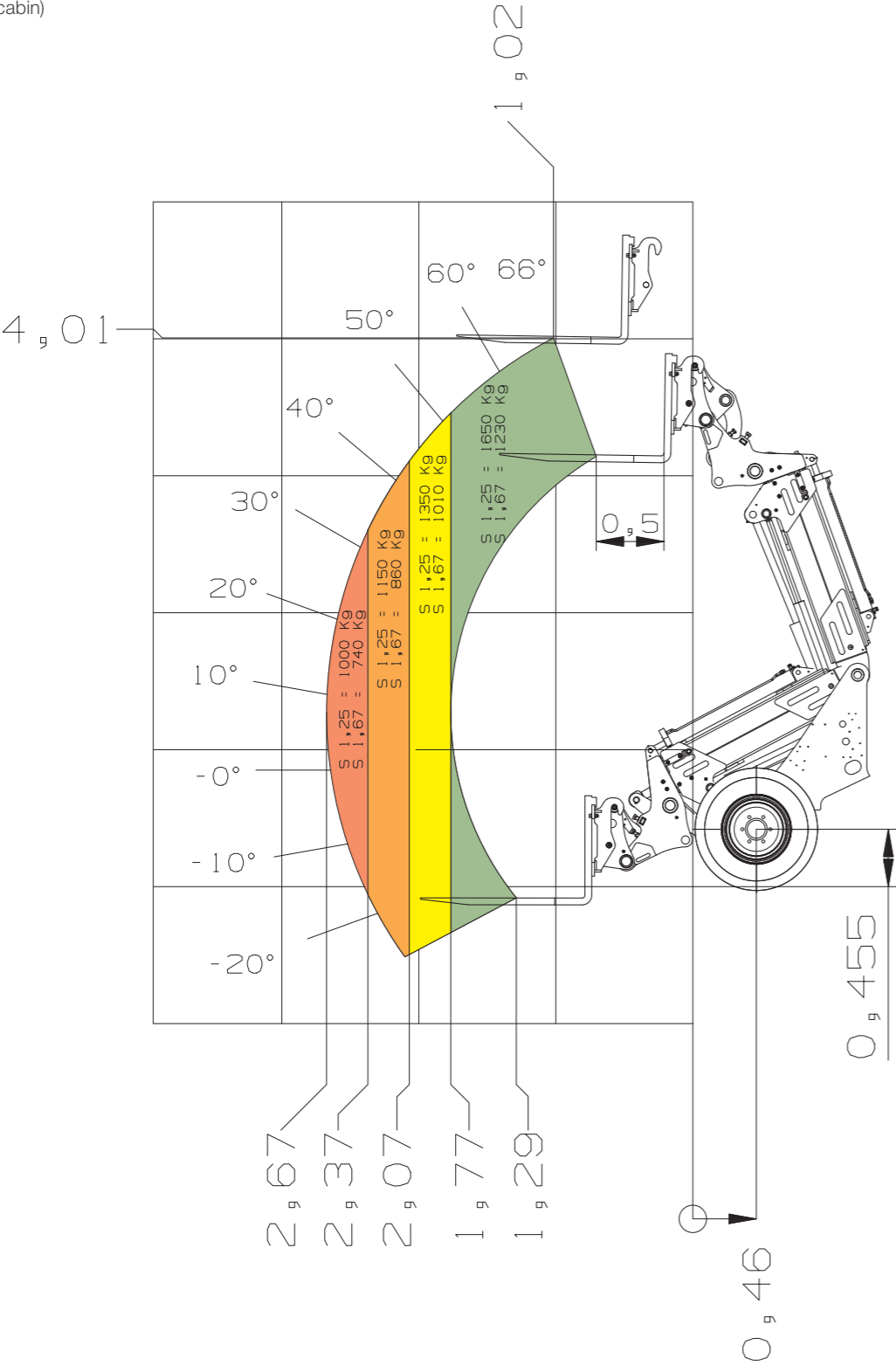
Standard equipment with standard bucket		Unit	5035	5040	5050	5055	5065	5065T	5065e
A	Height*	mm	2170 (standard) 2,020 (option)	2,170 (standard) 2,020 (option)	2390	2,390	2,390	2,470	2,380
B	Length	mm	4,050	4,090	4,790	4,950	4,950	5,350	5,110
C	Width*	mm	1,260	1,260	1,590	1,590	1,595	1,595	1,600
D	Ground clearance	mm	220	290	280	280	280	280	265
E	Wheel base	mm	1,525	1,525	1,850	1,850	1,850	2,000	1,850
F	Center of front axle to tip of teeth	mm	1,390	1,430	1,620	1,780	1,780	1,992	2,025
G	Center of rear axle to end of vehicle	mm	1,140	1,140	1,320	1,320	1,320	1,320	1,235
H	Bucket width	mm	1,250	1,400	1,650	1,650	1,650	1,650	1,650
I	Bucket pivot point	mm	2,800	2,800	2,840	3,050	3,050	4,270	3,017
J	Load-over height	mm	2,680	2,680	2,610	2,890	2,900	4,010	2,850
K	Dumping height	mm	2,180	2,140	2,080	2,320	2,330	3,500	2,320
L	Dump reach	mm	260	290	270	315	315	810	330
-	Stacking height	mm	2,630	2,630	2,600	2,950	2,950	4,030	2,800
-	Turning radius over tires	mm	2,000	2,000	2,700	2,700	2,700	2,900	2,505

Standard equipment with standard bucket		Unit	5055L	5065L	5065eL
A	Height*	mm	2,390	2,390	2,380
B	Length	mm	5,140	5,140	5,350
C	Width*	mm	1,590	1,595	1,600
D	Ground clearance	mm	280	280	265
E	Wheel base	mm	1,850	1,850	1,850
F	Center of front axle to tip of teeth	mm	1,970	1,970	2,265
G	Center of rear axle to end of vehicle	mm	1,320	1,320	1,235
H	Bucket width	mm	1,650	1,650	1,650
I	Bucket pivot point	mm	3,300	3,300	3,280
J	Load-over height	mm	3,150	3,150	3,080
K	Dumping height	mm	2,650	2,650	2,590
L	Dump reach	mm	410	410	420
-	Stacking height	mm	3,200	3,200	3,030
-	Turning radius over tires	mm	2,700	2,700	2,505

\* with standard tires

# Load-bearing capacity diagram

5065T (with cabin)



# Service and Spare Parts

Are you looking for suitable spare parts or operating instructions for your Kramer machine? With Kramer maintenance and repair packages, you have the right spare part ready at hand for any machine. You can get all the spare parts or operating instructions, you need from our Kramer dealers. With our Kramer Dealer Locator, you can find your on-site dealer. Simply enter the branch, zip code, or location.

You will find all information here:  
[www.kramer.de/service](http://www.kramer.de/service)

## Maintenance, diagnosis and repair

The certified technicians at your sales partner will ensure that your machines are back in operation as quickly as possible. For more information on the repair and service of Kramer machines, take a look on our website.



## Original Spare Parts

All spare parts available from your Kramer dealer meet the high standards of our component manufacturers. Dimensional accuracy, performance, fit and availability of the highest degree can only be achieved with the original part.



## Warranty and security

Security 24/Security 36/Security 48/Security 60: With the extendable warranty to 24, 36, 48 or 60 months, our customers can extend their carefree time. All-round security with the customized insurance protection. Consult your dealer for advice.



## Education and training

The Kramer Academy is the modern training center for the service technicians of Kramer sales partners. Here, mechanics learn everything they need to know to keep Kramer machines up and running, and are constantly taught how new technical systems work.





**Wheel loaders**

Bucket capacity: 0.35 - 1.80 m<sup>3</sup>



**Telescopic wheel loaders**

Bucket capacity: 0.65 - 1.45 m<sup>3</sup>



**Telehandlers**

Payload: 1,200 - 5,500 kg

**Service that can be seen**

Focus on your daily activities – we'll take care of the rest with our extensive services rendered. Because if you need us, we are there for you: competent, fast and, if necessary, directly on site.



Repair & Maintenance



Academy



Telematics



Insurance



Spare parts



Financial solutions

To the Kramer  
Dealer Locator:  
**SEARCH HERE!**



KC.EMEA.10026.V06.EN-GB