

## TECHNICAL DATA

### MASSES

Operating mass (incl. ROPS)	13100 kg
Operating mass (incl. Cab)	13300 kg
Module mass (front/rear)	8700 kg/4600 kg
Max. operating mass	14900 kg

### DIMENSIONS

Drum width	2130 mm
------------	---------

### COMPACTION

Static linear load	41 kg/cm
Nominal amplitude (high/low)	2,0 mm /0,8 mm
Centrifugal force (high/low amplitude)	270 kN/120 kN
Vibration frequency (high/low amplitude) SEISMIC available (values for manual mode)	30 Hz /30 Hz

### TRACTION

Speed range	4 /6 /7 /12 km/h
Vertical oscillation	±9°
Tyre size (8 ply)	23.1 x 26 AW
Max. theoretical gradeability	55 %

### ENGINE

Manufacturer/Model	Cummins QSB4.5 (Stage IIIA/T3)
Type	Water cooled turbo Diesel
Rated power, SAE J1995	119 kW (160 hp ) @ 2200 rpm
Fuel tank capacity	255 l

### ENGINE

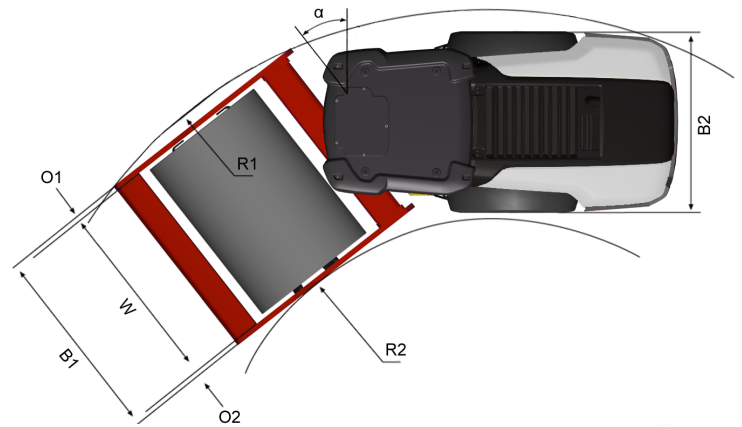
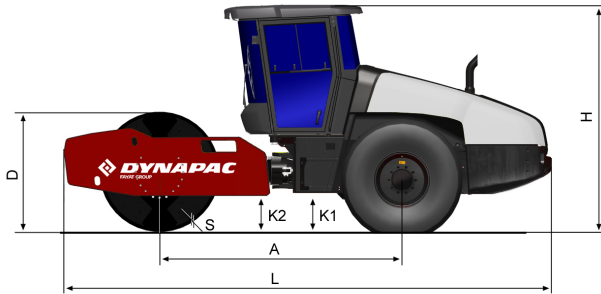
Manufacturer/Model	Cummins F3.8 (Stage V/T4final)
Type	Water cooled turbo Diesel
Rated power, SAE J1995	115 kW (154 hp ) @ 2200 rpm
DEF tank capacity	30 l

### HYDRAULIC SYSTEM

Driving	Hydrostatic
Vibration	Hydrostatic
Steering	Hydrostatic
Service brake	Hydrostatic in forward and reverse lever.
Parking/ Emergency brake	Failsafe multidisc brake in drum gear box and in rear axle.

Find us locally at [www.dynapac.com](http://www.dynapac.com)

We reserve the right to change specifications without notice. Photos and illustrations do not always show standard versions of machines. The above information is a general description only, all information's are supplied without liability.



## DIMENSIONS

### DIMENSIONS

A. Wheelbase	2990 mm
B1. Width, front	2300 mm
B2. Width, rear	2130 mm
D. Drum diameter	1520 mm
H1. Height, with ROPS/cab	2880 mm
H2. Height, w/o ROPS/cab	2130 mm
K1. Ground clearance	450 mm
K2. Curb clearance	450 mm
L. Length	5990 mm
O1. Overhang, right	85 mm
O2. Overhang, left	85 mm
R1. Turning radius, outside	5600 mm
R2. Turning radius, inside	3300 mm
S. Drum shell thickness	35 mm
W. Drum width	2130 mm
α. Steering angle	±38°

### OPTIONAL EQUIPMENT

#### Air Conditioning /Automatic Climate Control (ACC) (Optional)

- The system contains fluorinated greenhouse gases.
- Coolant designation: HFC-134a
- Coolant weight when full: 1,35 kg
- CO<sub>2</sub>-equivalent: 1,930 ton
- GWP: 1430

Find us locally at [www.dynapac.com](http://www.dynapac.com)

We reserve the right to change specifications without notice. Photos and illustrations do not always show standard versions of machines. The above information is a general description only, all information's are supplied without liability.