



TECHNICAL DATA

MASSES

Operating mass (incl. ROPS)	12300 kg
Operating mass (incl. Cab)	12500 kg
Module mass (front/rear)	7600 kg/4900 kg
Max. operating mass	14000 kg

DIMENSIONS

Drum width	2130 mm
------------	---------

COMPACTION

Static linear load	36 kg/cm
Nominal amplitude (high/low)	1.9 mm/0.9 mm
Vibration frequency (high/low amplitude)	31 Hz/34 Hz
Centrifugal force (high/low amplitude)	280 kN/170 kN

TRACTION

Speed range (Dual/TC/AS)	4/6/7/12 km/h
Vertical oscillation	±9°
Tyre size (8 ply)	23.1 x 26 AW
Max. theoretical gradeability	55 %

ENGINE

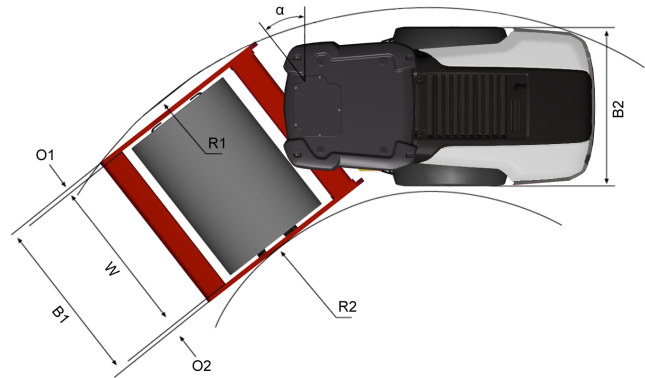
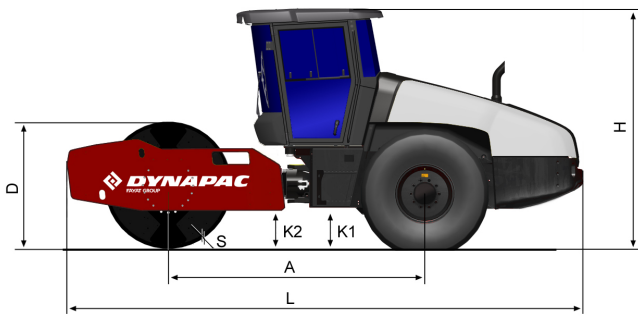
Manufacturer/Model	Deutz TCD2012L06 (IIIA/T3)
Type	Water cooled turbo Diesel
Rated power, ISO 14396	128 kW (174 hp) @ 2200 rpm
Fuel tank capacity	255 l

HYDRAULIC SYSTEM

Driving	Hydrostatic
Vibration	Hydrostatic
Steering	Hydrostatic
Service brake	Hydrostatic in forward and reverse lever.
Parking/ Emergency brake	Failsafe multidisc brake in drum gear box and in rear axle.

Find us locally at www.dynapac.com

We reserve the right to change specifications without notice. Photos and illustrations do not always show standard versions of machines. The above information is a general description only, all information's are supplied without liability.



TECHNICAL DATA

DIMENSIONS

A. Wheelbase	3100 mm
B1. Width, front	2340 mm
B2. Width, rear	2130 mm
D. Drum diameter	1520 mm
H1. Height, with ROPS/cab	2880 mm
H2. Height, w/o ROPS/cab	2130 mm
K1. Ground clearance	450 mm
K2. Curb clearance	450 mm
L. Length	5990 mm
O1. Overhang, right	105 mm
O2. Overhang, left	105 mm
R1. Turning radius, outside	5600 mm
R2. Turning radius, inside	3300 mm
S. Drum shell thickness	35 mm
W. Drum width	2130 mm
α. Steering angle	±38°

OPTIONAL EQUIPMENT

Air Conditioning /Automatic Climate Control (ACC) (Optional)

- The system contains fluorinated greenhouse gases.
- Coolant designation: HFC-134a
- Coolant weight when full: 1,35 kg
- CO₂-equivalent: 1,930 ton
- GWP: 1430

Find us locally at www.dynapac.com

We reserve the right to change specifications without notice. Photos and illustrations do not always show standard versions of machines. The above information is a general description only, all information's are supplied without liability.