



TECHNICAL DATA

MASSES

Operating mass (incl. ROPS)	10000 kg
Operating mass (incl. Cab)	10200 kg
Module mass (front/rear)	5600/4600 kg
Max. operating mass	10400 kg

DIMENSIONS

Drum width	2130 mm
------------	---------

COMPACTION

Static linear load	26 kg/cm
Nominal amplitude (high/low)	1.8 mm/0.9 mm
Vibration frequency (high/low amplitude)	30 Hz/30 Hz
Centrifugal force (high/low amplitude)	205 kN/100 kN

TRACTION

Speed range	0 -8 km/h
Tyre size (12 ply)	550/60-22.5
Max. theoretical gradeability	51 %
Vertical oscillation	±9°

ENGINE

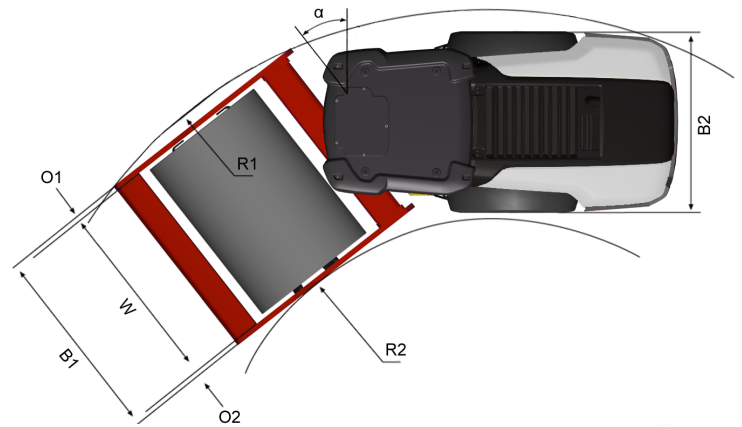
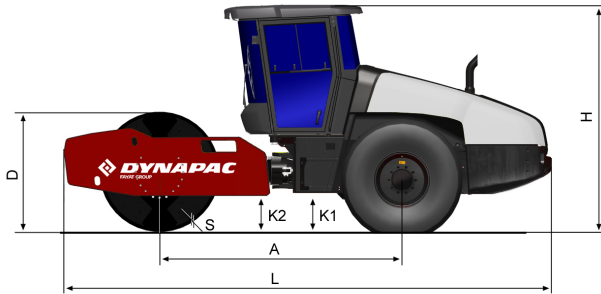
Manufacturer/Model	Cummins QSB3.3 (IIIA/3)
Type	Water cooled turbo Diesel
Rated power, SAE J1995	82 kW (110 hp) @ 2400 rpm
Fuel tank capacity	190 l

HYDRAULIC SYSTEM

Driving	Hydrostatic
Vibration	Hydrostatic
Steering	Hydrostatic
Service brake	Hydrostatic in forward and reverse lever.
Parking/ Emergency brake	Failsafe multidisc brake in drum gear box and in rear axle.

Find us locally at www.dynapac.com

We reserve the right to change specifications without notice. Photos and illustrations do not always show standard versions of machines. The above information is a general description only, all information's are supplied without liability.



DIMENSIONS

DIMENSIONS

A. Wheelbase	2840 mm
B1. Width, front	2300 mm
B2. Width, rear	1710 mm
D. Drum diameter	1500 mm
H. Height, with ROPS/cab	2810 mm
K1. Ground clearance	320 mm
K2. Curb clearance	430 mm
L. Length	5560 mm
O1. Overhang, right	105 mm
O2. Overhang, left	105 mm
R1. Turning radius, outside	5400 mm
R2. Turning radius, inside	3100 mm
S. Drum shell thickness	25 mm
W. Drum width	2130 mm
α. Steering angle	±38°

OPTIONAL EQUIPMENT

Air Conditioning /Automatic Climate Control (ACC) (Optional)

- The system contains fluorinated greenhouse gases.
- Coolant designation: HFC-134a
- Coolant weight when full: 1,35 kg
- CO₂-equivalent: 1,930 ton
- GWP: 1430

Find us locally at www.dynapac.com

We reserve the right to change specifications without notice. Photos and illustrations do not always show standard versions of machines. The above information is a general description only, all information's are supplied without liability.