



TECHNICAL DATA

MASSES

Max. operating mass	1665 kg
Operating mass (incl. ROPS)	1600 kg
Module mass (front/rear)	750 kg/850 kg

COMPACTION

Centrifugal force	17 kN
Nominal amplitude	0.4 mm
Static linear load (front/rear)	8.3/9.4 kg/cm
Vibration frequency	70 Hz
Water tank	190 l

TRACTION

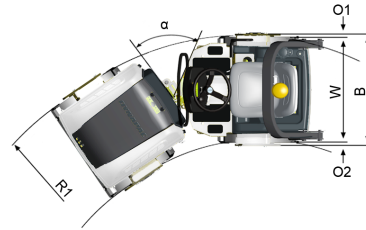
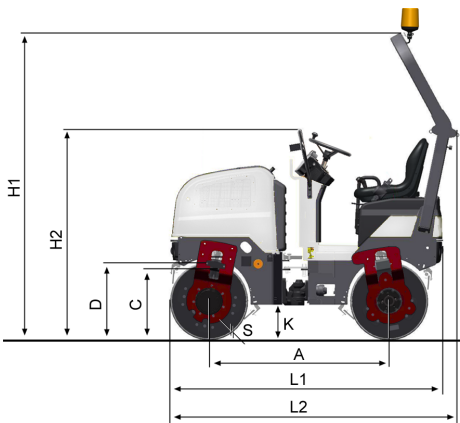
Speed range	0-9 km/h
Vertical oscillation	±13°

ENGINE

Manufacturer/Model	Kubota D1105-E4B T4f/V
Type	Water cooled diesel
Rated power, SAE J1995	18 kW (24 hp) @ 2800 rpm
Fuel tank capacity	23 l

HYDRAULIC SYSTEM

Driving	Axial piston pump with variable displacement and servo. 2 radial piston motors with constant displacement.
Vibration	Gear pump/motors with constant displacement.
Steering	Gear pump with constant displacem.
Service brake	Hydrostatic in forward and reverse lever.
Parking/ Emergency brake	Failsafe brake in both drums.



TECHNICAL DATA

DIMENSIONS

A. Wheelbase	1350 mm
C. Curb clearance	465 mm
D. Drum diameter	584 mm
H1. Height, with ROPS/cab	2300 mm
K. Ground clearance	255 mm
L1. Length	2040 mm
W. Drum width	900 mm
α. Steering angle	±34°

OPTIONAL EQUIPMENT

- 3" seatbelt
- Biodegradable hydraulic fluid
- Cert. fire protection (SBF 127)
- Decal risk location (GOST)
- Fire extinguisher
- Hearing protectors
- Licence plate light
- Rear view mirror (traffic view)
- Service kit 50/500/1000 h
- Side direction lights (driving lights required)
- Slow moving vehicle sign
- Special color (one or two)
- Tool set
- Water tank cover (lockable)

EQUIPMENT PACKAGE

CC Plus Package	Included	Optional
Backup alarm	■	
CE sign	■	
Comfort seat	■	
Cup/can holder	■	
Driving lights, right or left handed		■
Dual forward/reverse control		■
Foldable ROPS incl. seat belt	■	
Large Watertank, 190 l	■	
Rotating beacon	■	
Rotating beacon, ignition controlled		■
Spring loaded scrapers		■
Sprinkler timer	■	
Vibr. shut off, front or rear drum	■	
Working lights	■	

Find us locally at www.dynapac.com

We reserve the right to change specifications without notice. Photos and illustrations do not always show standard versions of machines. The above information is a general description only, all information's are supplied without liability.