

HEROES WITH A STRONG ARM

Kramer telehandlers up to 9.50 m stacking height



KRAMER
on the safe side



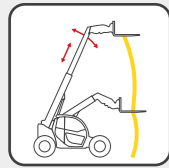
Telehandlers for the professional construction industry

Available from your Kramer dealer

Under the traditional brand name Kramer, Kramer-Werke GmbH develops and produces compact wheel loaders, telescopic wheel loaders and telehandlers with high manoeuvrability, off-road capability and efficiency. In the early years of more than the 90-year company history, the company quickly made a name for itself as a manufacturer of tractors. Today, Kramer-Werke GmbH is a medium-sized manufacturing company that not only attaches great importance to its own research and development, but also offers a wide assortment for material handling. All products made by Kramer are characterised by advanced technology and the highest quality. Thanks to decades of experience in the development and production of loading machines, these are ideally matched to customer needs. Due to the company's long history and the continuous company success, Kramer is optimally prepared for future challenges, because the future needs history.

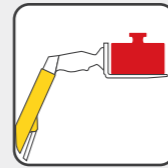


Perfectly coordinated



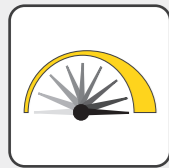
Smart Handling

Safe, comfortable and simultaneously efficient work is made possible by the intelligent driver assistance system Smart Handling with three standard modes.



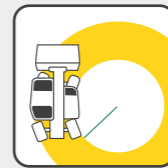
High payloads

Thanks to the high payloads, our telehandlers are designed to realise fast and high material handling.



ecospeed & ecospeedPRO

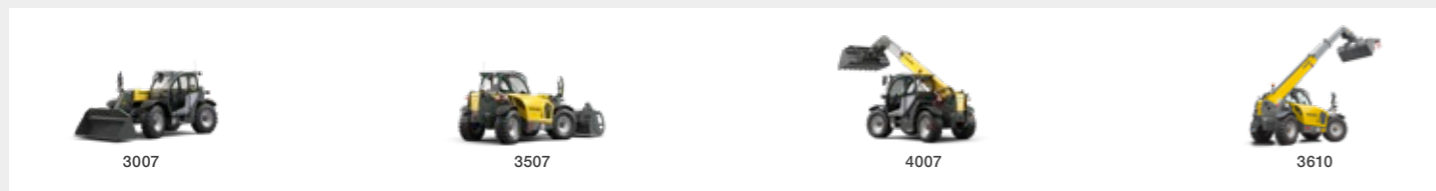
With ecospeed & ecospeedPRO transmissions, the machine accelerates from a standstill to a maximum of 40 km/h without a single shift.



Optimal turning circle

It is also possible to use the manoeuvrable telehandlers in tight farm yards.

An overview of all the telehandlers of the large series:



On the safe side with Kramer

Rich in tradition, the Kramer brand has been established on the market for many years and in particular stands for one value: **safety**. The high quality of the innovative machines is only one aspect of this. Kramer is also a safe choice as a company for customers and dealers because its experience and innovations ensure secure investments and security for the future. In short – you are always on the safe side with Kramer: **“Kramer – on the safe side!”**

➔ **ON THE SAFE SIDE**

Table of contents

Kramer telehandlers

Versatile
Robust
Efficient

04

Driver assistance systems

Smart Driving
Smart Loading
Smart Handling

06

Loading system and rear

Telescopic arm
Rear attachment

10

Drive train

Drive
Engines

12

Telehandlers at a glance

All-rounder 3007 - 3610
Performance range 4507 - 5509

14

Cabin design

Setup
Equipment
Operator's controls

16

Machine Highlights

Engines
Drive
Hydraulics

18

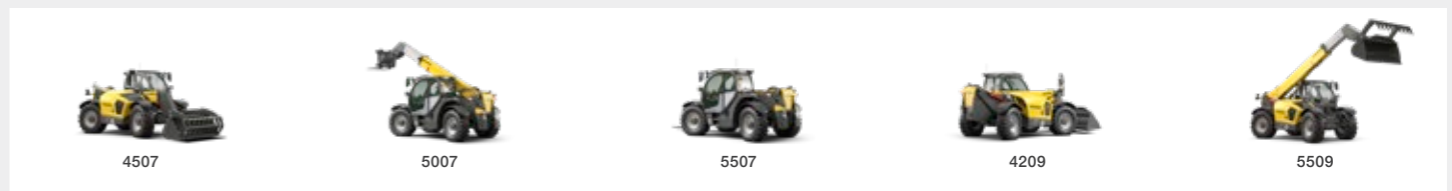
Machine components and accessories

Attachments
Quickhitch system
Tyres

20

Technical Data and Dimensions

26



Telehandler with wheel loader properties

Ideally equipped for the construction industry

From the start, the toughest applications were the measure of all things in the development of Kramer telehandlers. The machines were consistently designed for robustness and reliability based on the know-how from the wheel loader development. This can be seen, for example, in the torsionally stiff heavy-duty frame, which can safely accommodate the high payloads of the machines, thanks to their closed design and large material thicknesses.

Starting from the 4507, the telescopic arm is additionally supported laterally in the frame, in order to transfer the forces extensively into the frame during loading work. Just like the frame, all other components such as the shafts, the drive, the hydraulic system, the telescopic arm and the quickhitch plate have been designed for hard work.



Flexibility in use

Raise your standards in all areas

With the Kramer telehandlers, you can handle daily work without any problems. The machines not only support you with their impressive performance, but also with standard driver assistance systems and the comfortable cabin designed for maximum ergonomics.



Impressively versatile

The Kramer telehandlers are the perfect helpers, whether stacking or loading material, every job is done quickly with our powerful all-rounders and a large selection of attachments. The telehandlers can also be supplemented with a wide range of additional options. As a result, the machines can be precisely adapted to your requirements and provide maximum versatility.



Impressively sturdy

You can rely on the telehandlers in terms of their robustness and durability. The load stabiliser for the telescopic arm provides a decisive contribution here. The lifting, tilting and telescopic cylinders are equipped with end damping to absorb pressure peaks in the hydraulic system and/or a swaying of the machine - the driver and machine are thus optimally protected from shocks.



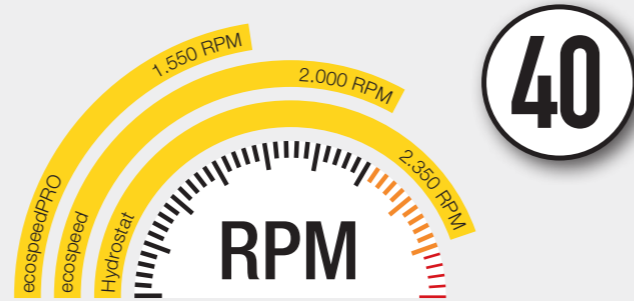
Impressively efficient

Handling a lot of material in a short amount of time - Kramer telehandlers were built for that. In addition to the comfortable operation, the driver assistance system "Smart Handling" in particular ensures an efficient and precise materials handling. The system offers three modes so that the user can be supported in every situation. In addition, the machine features a sensitive stepless drive as standard, which can accelerate from a standstill to a maximum speed without power interruption. In addition, the machine can optionally be equipped with an automatic bucket reverse, including vibration function, to further shorten the loading cycles.

Driver assistance systems - Smart Driving

Rpm reduction at maximum speed

When the maximum speed is reached, the intelligent engine speed reduction "Smart Driving" adjusts the engine speed to the performance requirements of the traction drive. This minimizes noise, fuel consumption and the load on individual components. For the machines with ecospeed traction drive, the rpm can be reduced to 2,000 rpm. For the models with the ecospeedPRO, it can even be reduced to up to 1,550 rpm.



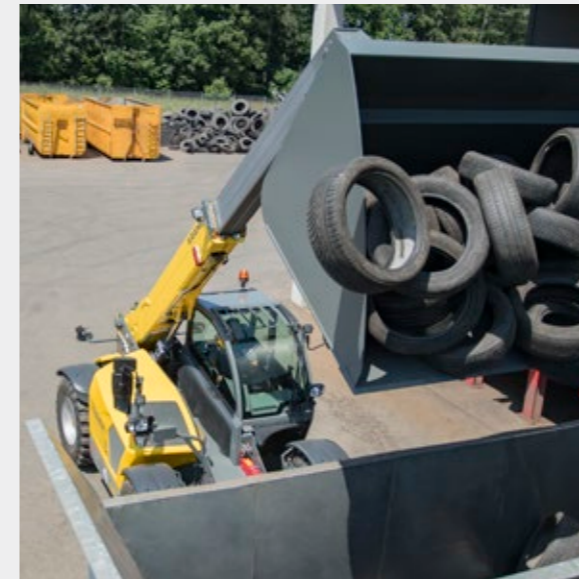
Driver assistance systems - Smart Loading

Automatic bucket return for faster work cycles

The automatic bucket return "Smart Loading" with vibration function ensures faster work cycles, less material loss and protection against damage to the attachment and the machine.

With the automatic bucket return, the attachment can be automatically moved to a previously programmed target position from any initial situation. This noticeably reduces the cycle times when loading and stacking and relieves the driver significantly.

The operator can use the vibration function to quickly empty the bucket despite sticky goods or to accurately portion material. The attachment begins to vibrate around the starting position by pressing the key combination to easily remove wet or sticky items such from the attachment.



Smart Handling - driver assistance system

Everything under control, even in the limit range

Maximum payload, fully extended loader unit, engine speed at the detent – the Smart Handling overload protection system always has everything under control in any situation. On the one hand, the intelligent driver assistance system prevents loads from reaching the overload area and therefore threatening to overturn the machine in the longitudinal direction. On the other hand, it takes many routine tasks, such as extension and retraction of the telescopic arm, away from the operator so that he can focus on the essential aspects of his work.



The three functional modes explained

Bucket mode



When lowering the loader unit, the telescopic arm is automatically retracted. This keeps the load as close to the vehicle as possible and it does not create critical situations, even with maximum payloads. The bucket mode is ideal for loading bulk materials.

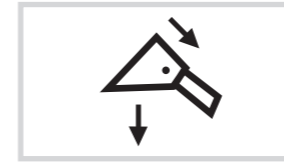
Stacking mode



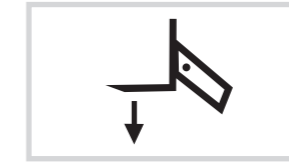
When lifting and lowering the loader unit, the attachment is moved up and down in a vertical line, i.e. the telescopic arm automatically moves in and out and the load is moved up or down in a straight line. Thus, the cargo always remains in the safe range and stacking work at high altitudes is simplified.

Smart Handling - simply select

A mode change takes place via the three-stage selector switch (right picture). To temporarily bypass the overload system, the left push-button must be pressed continuously.



Bucket mode



Stacking mode



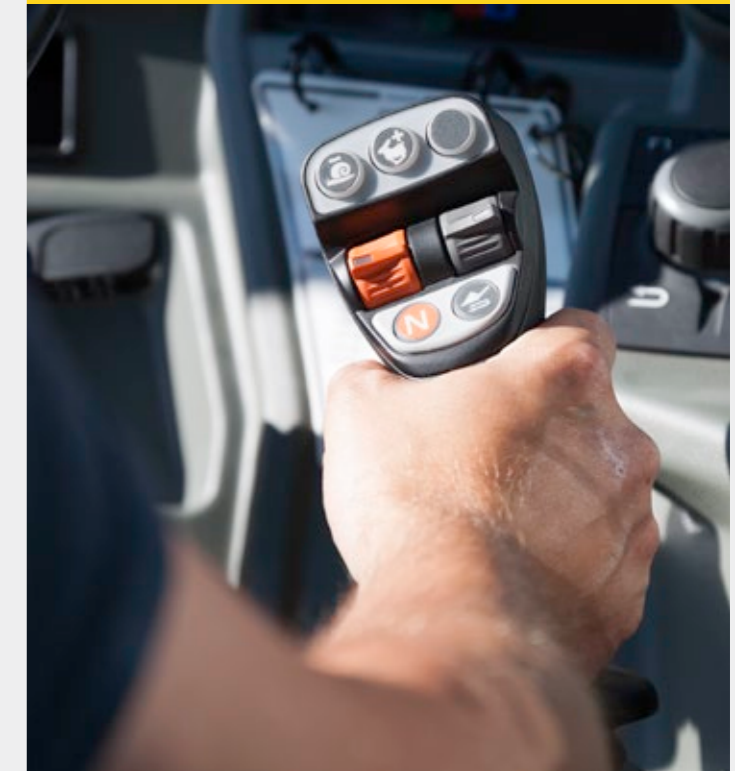
Manual mode

Manual mode



In manual mode, the machine does not perform any automatic movements of the loader unit. The overload protection is of course still active and stops the loader unit as soon as the overload limit is reached. At this point, only retracting, lifting the loader unit and dumping out the attachment are possible.

Joystick handling



You have the whole machine under control with the ergonomic joystick. With up to 17 functions, the most important tasks can be done without letting go of the joystick or changing your grip. For models from the 3007 through to the 3610, the joystick is attached to the cab console. For the models of performance class 4507 through to 5509, the joystick is affixed directly to the operator's seat.

Powerful telescopic arm

Made for the toughest of applications

The loader unit is made of a high-strength and torsion-resistant box profile. In order to transmit the acting forces safely, even when the telescopic arm is extended, the overlap area of the inner and outer arm is at least one metre. Both arm halves are connected with 13 polyamide sliding elements for the best protection against wear.

External forces are transmitted via the large main pin and its solid mounting in the frame. For the models 4507 to 5509, the loader unit is additionally supported laterally in the context of pushing work, so that the forces are introduced directly into the frame. The standard end position damping in the lifting, extension and tipping cylinder enables comfortable working, while the optional load stabiliser ensures maximum operator comfort.

The 3610 has a special feature with its double telescopic extension. This enables an even greater lift height and reach with compact vehicle dimensions. The inner and outer telescopic extension extend and retract together when using the telescoping action. Even and jerk-free movement via the extension is therefore guaranteed. The even overlap of the elements provides maximum stability of the lifting arm.

Lateral guidance of the loader unit



Frame reinforcement at the main bearing



- lateral guidance of the telescopic arm during pushing work (for models 4507 - 5509)
- easy replacement or adjustment of the sliding elements
- closed frame structure

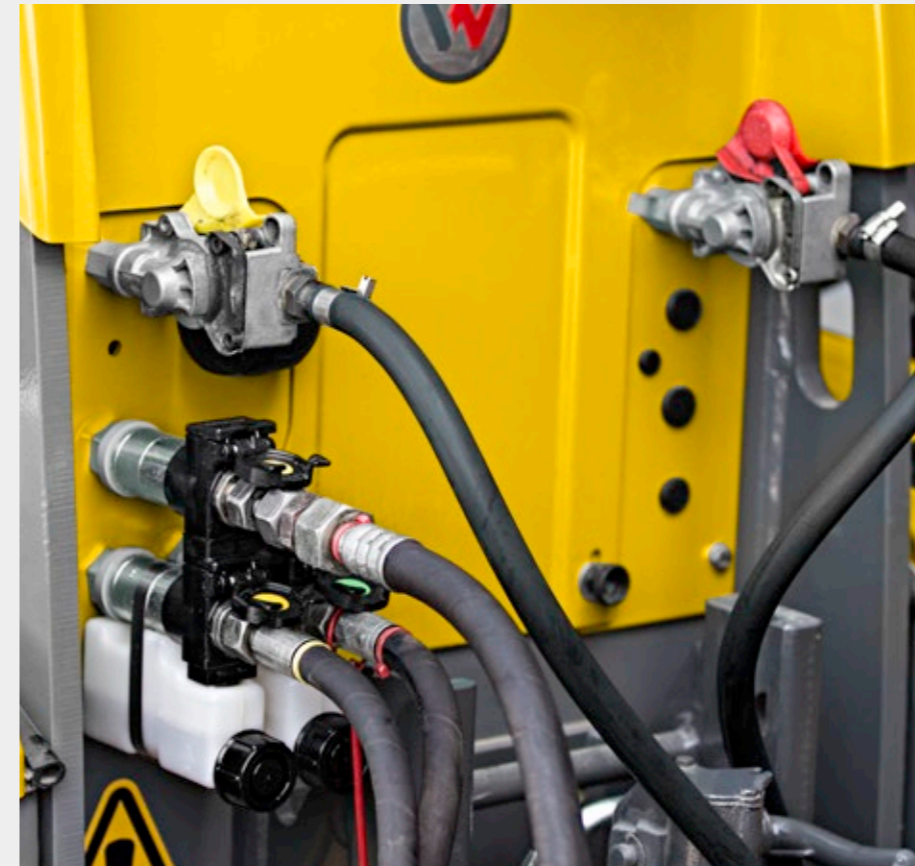
- Large-scale introduction of torsional forces in the entire frame
- big main bolts and main bearing diameter for maximum sturdiness

Multi-functional rear attachment area

Maximum versatility for all tasks

The Kramer telehandlers are not only characterised by the various quickhitch systems and numerous hydraulic options in the front, the telehandlers also meet all requirements in the rear. For trailer operation, there are various trailer hitches to choose from, which are either solid-frame or height adjustable. A two-circuit compressed air system and a dual-circuit hydraulic brake system are available as an additional trailer brake. In the area of the hydraulic connections, a single-acting tipper connection and a double-acting hydraulic circuit are optionally available.

Height adjustable!



Storage compartment in the rear weights for 4507 - 5509

Variably economical

The Kramer high-speed transmission

All Kramer telehandlers are driven by an electronically-controlled hydrostatic gearbox. The best ride comfort and maximum pushing power are therefore combined in one transmission and available to you as the operator at all times. Due to the large turning angle of the hydrostatic unit, the machines accelerate from a standstill to a maximum of 40 km/h without shifting. Thanks to this technology, you can increase your productivity while at the same time reducing your fuel and labour costs.

Depending on the model, the telehandlers can be equipped with different transmission versions. The models of the all-round class 3007 to 3610 are equipped with a sturdy hydrostat as standard, which can be used to reach a maximum speed of up to 30 km/h.

The telehandlers 3507, 4007 and 3610 can be optionally equipped with the ecospeed wide-angle hydrostatic transmission, with which the vehicle reaches the final speed of 40 km/h.

In the machines of the performance range 4507 to 5509, either the ecospeed transmission or the ecospeedPRO transmission is installed. The latter is characterised by further increased pushing power and the improved functionality of the rpm limiter Smart Driving. For customers with maximum demands on pushing power, the models 4507 to 5509 are also available with a 30 km/h gear ratio, which increases the pushing power again by up to 25%.

Standard rpm reduction
with ecospeed and ecospeedPRO to preserve the operator and the machine.

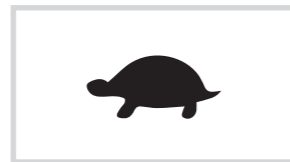


Three freely selectable speed levels

The speed levels can be easily changed while driving. The change is done conveniently via two touch controls on the joystick and is immediately shown on the 7-inch display with the corresponding symbol (see below). In addition to the three speed levels, a low-speed control with electronically controlled hand throttle is available as an option.



Snail: 0 - 7 km/h



Turtle: 0 - 15 km/h



Hare: 0 - 20 km/h
(0 - 30 / 0 - 40 km/h)

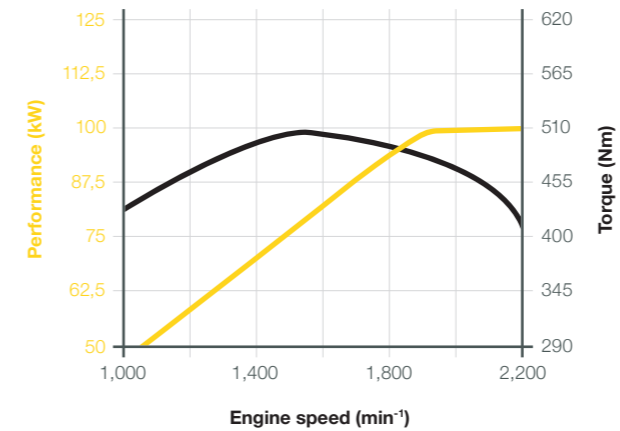
Powerful engines

For any application with reduced consumption

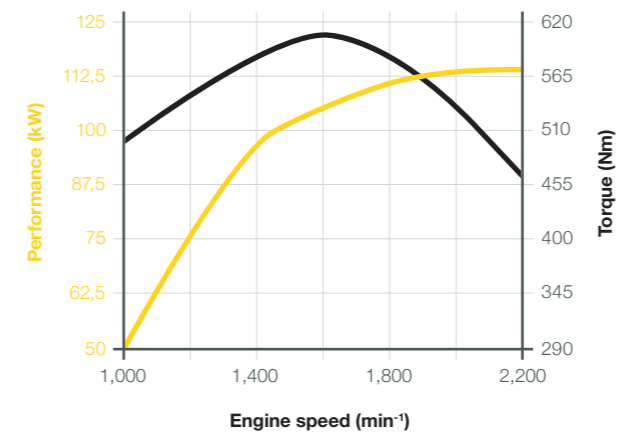
For maximum drive performance with minimum fuel consumption, the right engines are selected for all machines. The models from 3007 to 5007, incl. 4209 are equipped with the Deutz TCD 3.6 with 100 kW. The two top models 5507 and 5509 are equipped with the even more powerful TCD 4.1 with 115 kW, also from Deutz.

All Kramer machines fulfil the current emission stage V. Depending on the model and engine output, the exhaust after-treatment is performed by a different system. The Deutz TCD 3.6 and the Deutz TCD 4.1 are equipped with a DOC, DPF and SCR as standard.

Deutz TCD 3.6 performance curve
(3007 - 5007 and 4209)



Deutz TCD 4.1 performance curve
(5507 and 5509)



Water-cooled 4-cylinder in-line engine with cooled external Exhaust gas recirculation, turbocharging and intercooling.

Just make the right choice

Discover the Kramer product range of telehandlers

The all-rounder for versatile application (3007, 3507, 4007, 3610)

Thanks to their combination of high payload, unbeatable manoeuvrability, dynamic all-wheel drive and low operating weight, the all-rounders are the all-purpose weapon for every operation. With a simple basic configuration and a multitude of options, this machine class can be adapted to all needs and operational situations.



The performance range for particularly high payloads (4507, 5007, 5507, 4209, 5509)

The construction of this machine class has been reinforced for professional use and complemented with high-quality basic equipment. For example, the load sensing hydraulics, the ecospeed or ecospeedPRO transmission and the 100% connectable differential lock on the front axle are fitted as a standard. In addition, there is a comprehensive range of options that leaves nothing to be desired.



Original Kramer attachments make your machine an all-rounder

In combination with an appropriate attachment, you will achieve maximum productivity with your machine. With a Kramer attachment you can be sure to use the full power of our wheel loader, because:

- the vehicle and attachment are perfectly in tune with one another
- Everything in one place, therefore all of the necessary approvals and entries are present
- With a thought-out design with lots of technical details, the attachments are sturdy and long-lived

Comfortable working area

Everything in view outside

The cabin concept of the Kramer telehandlers was tailored to the operator's needs. Functionality, ergonomics and ride comfort were always the focus of the development.

The comfort begins when entering the cabin with the non-slip steps, which can be adjusted individually. From the inside, the cabin impresses with its first-class space provision, outstanding all-round visibility and many other details, such as the intermittent windscreen wipers, tilt-and-adjustable steering column, optional storage with cooling option or the radio with DAB+ and a Bluetooth hands-free kit. With the optional air conditioning system and the seat with air suspension, even long working days can be made more comfortable.



Technical Highlights

Simple operation – Innovative cabin design

Display



The telehandler has a modern control panel with large 7-inch LCD display. The setup of the display is simple and intuitive. All important vehicle data and functions are shown in the main menu. The brightness can be regulated and customised to your needs. The optional rear-view camera provides an improved view to the rear.

Jog Dial



The cabin is equipped with a so-called jog dial. This makes it possible to easily adjust all important machine settings, such as the oil volume of all control circuits. The most important operating data can be shown with the rotary and push wheel and adjusted entirely to the operator's needs.

Hydraulic speed



The display and the jog dial can be used to adjust the speed of the work hydraulics for lifting and lowering the lifting arm as well as tilting in and out the attachments in three stages. This allows the operator to always choose the right balance between speed and precision.

Joystick



You have the whole machine under control with the ergonomic joystick. With up to 17 functions on the joystick, you have the most important machine functions at your fingertips in one hand.

Switch concept



All switches and buttons of the machine are colour-coded so that the operator can find the desired function faster. The buttons with a safety function are red, those for the hydraulics are green, for the electrical system grey and for the drive system blue. All controls are backlit, so you are always able to use the right switch even in the dark.

Panoramic front window



Everything always in view. All Kramer telehandlers have a continuous front window without disturbing cross braces. The window has been pulled up and down as far as possible so that the operator can see the lock pins immediately when changing attachments and still has the attachment in the line-of-sight at maximum stacking height.

Machine highlights at a glance

Sturdy, versatile and efficient down to the last detail

Smart Handling
Overload protection paired with higher productivity

Powerful work hydraulics
with Load Sensing and up to 187 l/min for the fastest work processes

Telescopic arm
with load stabiliser and final position dampening in all cylinders

Optimal all-round visibility
thanks to the optional cabin height increase by approx. 18 cm (3007 to 3610 option) and external FOPS protective grille. The longitudinal struts incline outwards in accordance with the operator's field of visibility (3007 to 3610 with high cabin and 4507 to 5509 range)

Powerful Deutz engines
compliant with EU emission stage V with a maximum power output of up to 115 kW (156hp) and a wide-opening engine hood for easy maintenance

Variable drive system
for sensitive work and high pushing power

Standard rpm reduction
with ecospeed and ecospeedPRO to preserve the operator and the machine

Manual crab steering as fourth steering mode for even more flexibility, for example when compacting the silos. When doing this, the rear axle is blocked and the front axle remains freely mobile

Solid quickhitch plate
with four connection points (each 50 mm diameter) for the perfect seat of the attachment

Comfortable cabin
for stress-free working and increased concentration

Modern operating concept
with 7" LCD display, all-in-one joystick and jog dial control element for convenient machine control

Easy cabin entry
for comfortable entry and exit due to recess in the cabin floor and the step arrangement designed like stairs

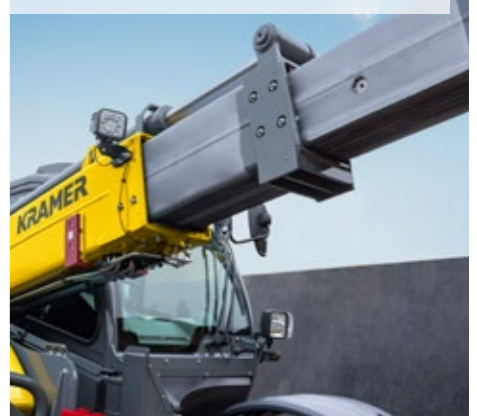
Torsion-resistant frame
in box profile design with lateral support for the telescopic arm for the models 4507 - 5509

Heavy duty axles
for maximum durability of the vehicle

Cabin entry with recess



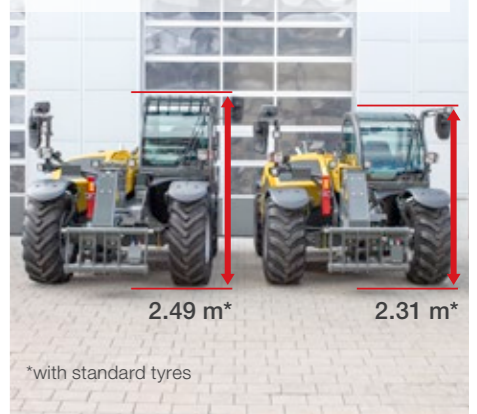
Double telescopic extension 3610



Perfect all-round visibility



Two cabin heights



Manual crab steering



Michelin BIBLOAD 540/70 R24



FOPS screen



Noise-reduced cabin



A variety of tasks

Always the right attachments

No matter what challenges your workday has in store for you: With our attachments, you will always have a handle on the situation. Thanks to the sturdy quick-change system, you can attach the right attachment for every task to your Kramer telehandler.

The attachment is based on your needs. You can find out more about our attachments at: www.kramer.de/attachments

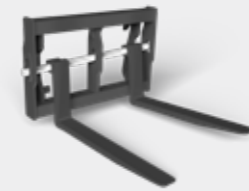
Change in
record
time!



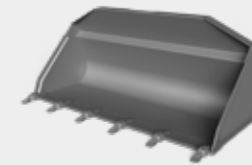
Product range of attachments



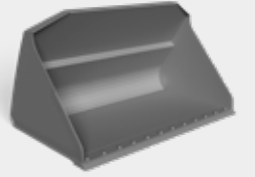
Pallet fork



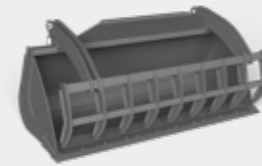
Pallet forks
floating fork arms



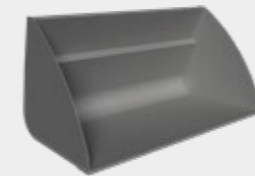
Standard bucket with rip-out teeth



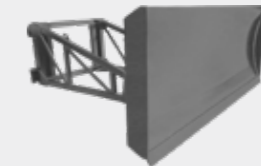
Standard bucket without rip-out teeth



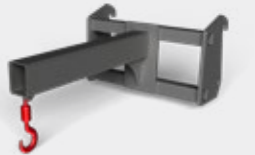
Multi-service bucket



Bulk material bucket

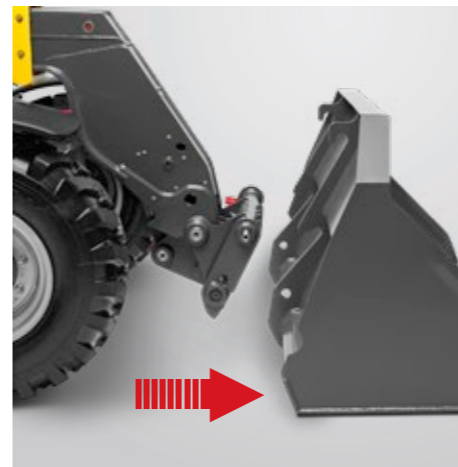


Material slide



Jib crane

Exact specifications and availabilities of attachments vary by model and country. Your competent Kramer dealer will be happy to help you.



Hydraulic quick-change system (optional) - The Kramer quickhitch system: Approach the attachment, pick up the attachment hydraulically from the operator's seat and lock it using the touch slide on the joystick. The locking cylinder is located outside of the pivot point of the quickhitch plate and is therefore not in the contamination area.

Tyre product range



- very good traction on solid ground
- excellent stability
- high wear resistance
- Cut and wear resistant

Multi-purpose profile



- High level of protection from impact and cutting damage
- High lift capacity
- excellent stability and improved operating comfort
- good traction
- High running performance

Multi-purpose profile



- Good self-cleaning
- good track guiding
- high level of driving safety

Traction tread diagonal



- smooth running on the road
- Very good self-cleaning
- optimal in muddy terrain and on loamy ground

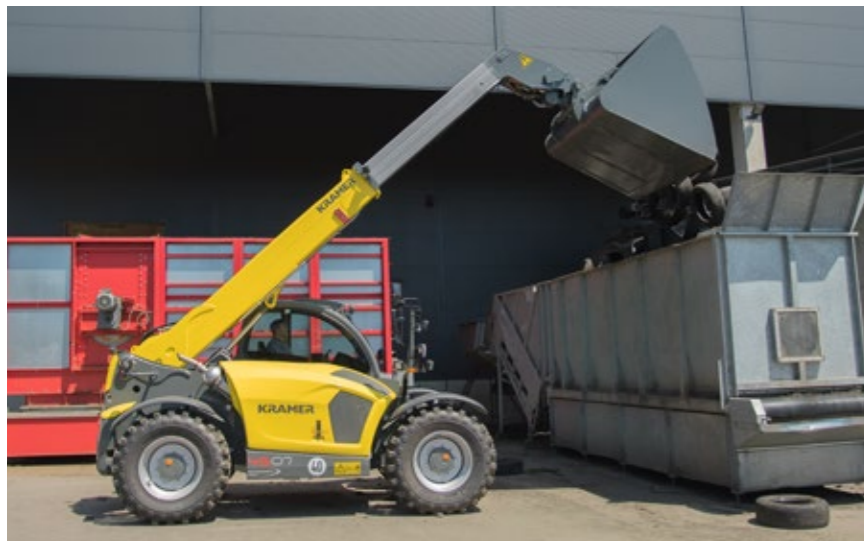
Traction tread radial



- high ground protection
- good traction
- Good self-cleaning
- low tyre internal pressure

Traction tread radial

Choosing the right tyres is crucial when it comes to using your telehandler. Exact tyre specifications and availabilities vary by model and country. Your competent Kramer dealer will be happy to help you.



EquipCare - telematics

All the information in one glance

Always a step ahead, because EquipCare provides data, facts and answers to questions: Where is my machine right now, when is maintenance due and when does it make economic sense to replace wear parts? This helps you to avoid downtime and to extend the service life of your machine.

How does it work?

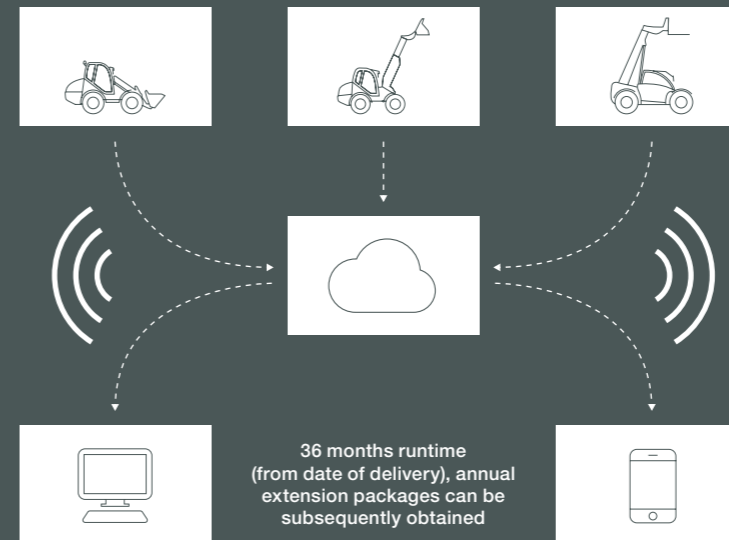
EquipCare is installed as standard on all Kramer vehicles. It contains a telematics module, which collects data from the machines and sends it to the manager or app via a cloud. Here, as the EquipCare user, you can view and assess the data.

The EquipCare Manager is the main portal for the telematics data of your vehicles and is controlled via the computer. The EquipCare app is for mobile access and keeps you informed about everything immediately, no matter where you are.

Your benefits:

Thanks to EquipCare, we always know where your machine is located currently. If the machine leaves a previously defined geo-zone, you will receive a notification on your smartphone or your computer. All events are shown here in detail, from the error message to the maintenance performed. All unnecessary downtime is avoided and the operating duration is precisely recorded.

The machine has recognised a problem? Notify your dealer of this on-site directly via the app and an initial remote diagnosis can be performed. Thanks to the proactive communication of your machine, you will be promptly informed about everything.



Warranty extension

We are providing you with the opportunity to extend your machine protection by 24, 36, 48 or 60 months. Get advice from your Kramer dealer.

You can find more information at:
www.kramer.de/equipcare

SEARCH NOW!



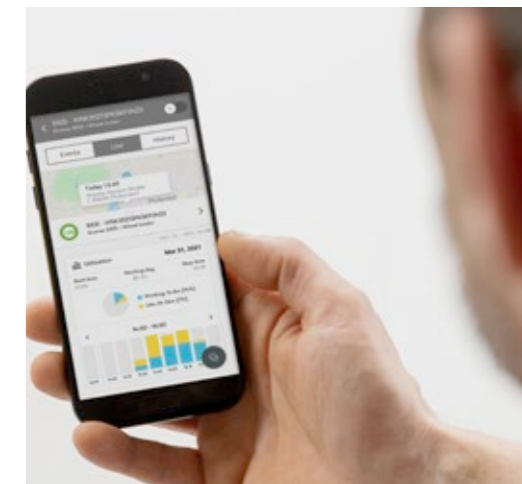
EQUIPCARE

The telematics portals are accessible for you around the clock:



EquipCare Manager: The precise position or the GPS data of your machines can be viewed at any time in your password-protected area.

www.kramer.de/equipcarelogin



EquipCare App: The app provides you with a number of functions to access your machine data and information while on the go. Simply download and install the app from the Google Play Store or the Apple App Store.

◀ Go to the app

Kramer telehandlers at a glance

Robust

- Torsion-resistant frame for machine's maximum capacity
- Lateral support of the loader unit during pushing work
- Large overlap between inner and outer arm and 13 sliding elements
- Standard end position damping in the lifting, telescopic and tipping cylinders
- Sturdy Kramer quickhitch plate

Intelligent

- Smart Handling: More productivity and large work-load reduction
- Smart Driving: Reduced speed (to a minimum of 1,550 rpm) at maximum travel speed for noise and consumption reduction
- Smart Loading: Automatic bucket reverse with vibration function for faster load cycles
- Load stabiliser with autofunction

Powerful

- High torque and economical engines by Deutz
- Efficient and powerful drive ecospeed and ecospeedPRO for maximum pushing power and, at the same time, maximum sensitivity
- Variable drive system: Acceleration up to 40 km/h and always maximum pushing power
- Hydraulic performance of up to 187 l/min
- Adjustable hydraulic speed and oil volume adjustment for additional control circuits

Comfortable

- Optimised all-round visibility and panoramic front window
- Large cabin and ergonomic operation
- Colour-coded operator's controls grouped into groups
- 7-Inch colour display range: All machine information and settings at a glance
- Pressure relief for the third control circuit at the gooseneck

Versatile

- Large variety of options for meeting all requirements
 - A variety of attachments for all applications
 - Pneumatic brake system and hydraulic trailer brake directly ex works
-

Technical Data

Operating and power ratings		Unit	3007	3507	4007
Max. payload (LSP 500 mm)	kg		3,000	3,500	4,000
Max. stacking height	mm		7,000	7,000	7,000
Payload at max. stacking height	kg		2,000	2,200	2,400
Payload at max. coverage	kg		1,000	1,200	1,500
Stacking height at max. payload	mm		5,500	5,220	4,500
Reach at max. payload	mm		1,780	1,680	1,720
Max. reach	mm		3,760	3,760	3,760
Turning radius via tyres	mm		3,840	3,840	3,840
Operating weight	kg		5,920 - 7,250	6,170 - 7,500	6,810 - 7,850
Engine		Unit			
Make	-		Deutz	Deutz	Deutz
Type/Model	-		TCD 3.6 / L4	TCD 3.6 / L4	TCD 3.6 / L4
Output	kW/hp		100 / 136	100 / 136	100 / 136
Max. torque	Nm		500	500	500
Displacement	cm ³		3,621	3,621	3,621
Exhaust emission stage	-		Stage V	Stage V	Stage V
Exhaust emissions after-treatment	-		DOC + DPF + SCR	DOC + DPF + SCR	DOC + DPF + SCR
Power transmission		Unit			
Drive	-		Hydrostat	Hydrostat	Hydrostat
Max. speed	km/h		30	40 (option)	40 (option)
Total oscillating angle on the rear axle	°		20	20	20
Differential lock	-		45% self-locking differential on front axle		
Service brake	-		Foot-activated hydraulic disc brake		
Parking brake	-		Hand-operated mechanical disc brake		
Standard tyres (AS tread)	-		405 / 70-24	405 / 70-24	405 / 70-24
Work hydraulics		Unit			
Work pump	-		Gear pump with LUDV	Load-sensing axial piston pump	Load-sensing axial piston pump
Max. flow rate (pump)	l/min		100	140	140
Max. pressure	bar		260	260	260
Kinematics		Unit			
Bucket capacity	m ³		1.0 - 2.0	1.0 - 2.0	1.0 - 2.0
Total swing angle of tool carrier	°		155	155	155
Lift cylinder raising/lowering	s		8 / 6	6 / 5	6 / 5
Extend/retract push-out cylinder	s		8 / 7	8 / 7	6 / 7
Tilt out/in tipping cylinder	s		4 / 4	3 / 3	3 / 3
Capacities		Unit			
Fuel tank	l		100	100	100
DEF tank	l		9.5	9.5	9.5
Hydraulic oil tank	l		100	100	100
Hydraulic system (total)	l		170	170	170
Noise emissions*		Unit			
Measured value	dB(A)		105	105	105
Guaranteed value	dB(A)		106	106	106
Noise level at the operator's ear	dB(A)		72	72	72
Vibrations**		Unit			
Vibration total value of the upper body extremity	-		< 2.5 m/s ² (< 8.2 feet/s ²)		
Highest effective value of weighted acceleration for the body	-		< 0.5 m/s ² (< 1.64 feet/s ²)*** < 1.28 m/s ² (4.19 feet/s ²)****		

* Information: The measurement occurs as per the requirements of the standard EN 1459 and the directive 2000/14/EC. Measuring station: Paved surface.

** Uncertainties of measurement as specified in ISO/TR 25398:2006. Please instruct or inform the operator of possible dangers caused by vibrations.
*** On flat and solid ground with the corresponding driving style
**** Application in extraction under harsh environmental conditions

Technical Data

Operating and power ratings		Unit	3610	4507	5007
Max. payload (LSP 500 mm)	kg		3,600	4,500	4,800
Max. stacking height	mm		9,500	7,017	7,017
Payload at max. stacking height	kg		510 / 1,450 **	3,300	3,500
Payload at max. coverage	kg		400	1,500	1,700
Stacking height at max. payload	mm		4,600	5,100	5,600
Reach at max. payload	mm		1,800	1,600	1,700
Max. reach	mm		6,500	3,790	3,790
Turning radius via tyres	mm		3,840	3,755	4,240
Operating weight	kg		7,600 - 8,200	8,100 - 9,100	8,600 - 9,600
Engine		Unit			
Make	-		Deutz	Deutz	Deutz
Type/Model	-		TCD 3.6 / L4	TCD 3.6 / L4	TCD 3.6 / L4
Output	kW/hp		100 / 136	100 / 136	100 / 136
Max. torque	Nm		500	500	500
Displacement	cm ³		3,621	3,621	3,621
Exhaust emission stage	-		Stage V	Stage V	Stage V
Exhaust emissions after-treatment	-		DOC + DPF + SCR	DOC + DPF + SCR	DOC + DPF + SCR
Power transmission		Unit			
Drive	-		Hydrostat	ecospeed	ecospeed
Max. speed	km/h		40 (option)	40	40 (option)
Total oscillating angle on the rear axle	°		20	20	20
Differential lock	-		45% self-locking differential on front axle	100% at the front axle	
Service brake	-		Foot-activated hydraulic disc brake	Foot-actuated hydraulic oil bath multi-disc brake	
Parking brake	-		Hand-operated mechanical disc brake	Electro-hydraulic multi-disc brake	
Standard tyres (AS tread)	-		405 / 70-24	460 / 70R24	460 / 70R24
Work hydraulics		Unit			
Work pump	-		Load-sensing axial piston pump		
Max. flow rate (pump)	l/min		140	140	140 (standard) / 187 (option)
Max. pressure	bar		260	260	260
Kinematics		Unit			
Bucket capacity	m ³		1.0 - 2.0	1.2 - 3.0	1.2 - 3.0
Total swing angle of tool carrier	°		155	152	152
Lift cylinder raising/lowering	s		6 / 6	6.5 / 5	6.5 / 5
Extend/retract push-out cylinder	s		9 / 13	6 / 7	6 / 7
Tilt out/in tipping cylinder	s		3 / 3	3.5 / 3	3.5 / 3
Capacities		Unit			
Fuel tank	l		100	180	180
DEF tank	l		9.5	12	12
Hydraulic oil tank	l		100	100	100
Hydraulic system (total)	l		170	190	190
Noise emissions*		Unit			
Measured value	dB(A)		105	104	104
Guaranteed value	dB(A)		106	106	106
Noise level at the operator's ear	dB(A)		72	72	72
Vibrations**		Unit			
Vibration total value of the upper body extremity	-		< 2.5 m/s ² (< 8.2 feet/s ²)		
Highest effective value of weighted acceleration for the body	-		< 0.5 m/s ² (< 1.64 feet/s ²)**** < 1.28 m/s ² (4.19 feet/s ²)*****		

* Information: The measurement occurs as per the requirements of the standard EN 1459 and the directive 2000/14/EC. Measuring station: Paved surface.
** With mechanical oscillating axle interlock

*** Uncertainties of measurement as specified in ISO/TR 25398:2006. Please instruct or inform the operator of possible dangers caused by vibrations.
**** On flat and solid ground with the corresponding driving style
***** Application in extraction under harsh environmental conditions

Technical Data

Operating and power ratings		Unit	5507	4209	5509
Max. payload (LSP 500 mm)	kg		5,500	4,200	5,500
Max. stacking height	mm		7,017	8,750	8,750
Payload at max. stacking height	kg		4,000	4,200	1,300 / 5,500 **
Payload at max. coverage	kg		2,000	1,500	2,200
Stacking height at max. payload	mm		5,500	8,750	6,400 / 8,750 **
Reach at max. payload	mm		1,890	2,000	2,400
Max. reach	mm		3,900	4,790	4,790
Turning radius via tyres	mm		4,240	4,415	4,415
Operating weight	kg		9,500 - 10,500	9,000 - 10,500	10,500 - 11,500
Engine		Unit			
Make	-		Deutz	Deutz	Deutz
Type/Model	-		TCD 4.1 / L4	TTCD 3.6 / L4	TCD 4.1 / L4
Output	kW/hp		115 / 156	100 / 136	115 / 156
Max. torque	Nm		609	500	609
Displacement	cm ³		4,038	3,621	4,038
Exhaust emission stage	-		Stage V	Stage V	Stage V
Exhaust emissions after-treatment	-		DOC + DPF + SCR	DOC + DPF + SCR	DOC + DPF + SCR
Power transmission		Unit			
Drive	-		ecospeedPRO	ecospeed	ecospeedPRO
Max. speed	km/h		40	40 (option)	40
Total oscillating angle on the rear axle	°		20	20	20
Differential lock	-		100% at the front axle		
Service brake	-		Foot-actuated hydraulic oil bath multi-disc brake		
Parking brake	-		Electro-hydraulic multi-disc brake		
Standard tyres (AS tread)	-		460 / 70R24	460 / 70R24	460 / 70R24
Work hydraulics		Unit			
Work pump	-		Load-sensing axial piston pump		
Max. flow rate (pump)	l/min		187	140 (standard) / 187 (option)	187
Max. pressure	bar		260	215	260
Kinematics		Unit			
Bucket capacity	m ³		1.2 - 4.0	1.2 - 3.0	1.2 - 4.0
Total swing angle of tool carrier	°		152	152	152
Lift cylinder raising/lowering	s		6.5 / 6	9.4 / 7.5	9.4 / 7.5
Extend/retract push-out cylinder	s		6 / 6	7.1 / 8.3	7.1 / 8.3
Tilt out/in tipping cylinder	s		3.5 / 3	4.0 / 3.4	4 / 3.4
Capacities		Unit			
Fuel tank	l		180	180	180
DEF tank	l		12	12	12
Hydraulic oil tank	l		100	100	100
Hydraulic system (total)	l		190	190	190
Noise emissions*		Unit			
Measured value	dB(A)		105	104	104
Guaranteed value	dB(A)		106	106	106
Noise level at the operator's ear	dB(A)		72	72	72
Vibrations***		Unit			
Vibration total value of the upper body extremity	-		< 2.5 m/s ² (< 8.2 feet/s ²)		
Highest effective value of weighted acceleration for the body	-		< 0.5 m/s ² (< 1.64 feet/s ²)**** < 1.28 m/s ² (4.19 feet/s ²)*****		

* Information: The measurement occurs as per the requirements of the standard EN 1459 and the directive 2000/14/EC. Measuring station: Paved surface.

** With hydraulic level compensation

*** Uncertainties of measurement as specified in ISO/TR 25398:2006.

Please instruct or inform the operator of possible dangers caused by vibrations.

**** On flat and solid ground with the corresponding driving style

***** Application in extraction under harsh environmental conditions

Dimensions

Telehandlers up to 9.50 m stacking height						
Dimensions		Unit	3007	3507	4007	3610
A	Total length ^{1, 2, 3}	mm	4,880	4,880	4,880	5,030
B	Total length with bucket ⁴	mm	5,600	5,600	5,600	5,830
C	Total width without bucket ⁵	mm	2,285	2,285	2,285	2,285
D	Front/rear track ⁶	mm	1,880	1,880	1,880	1,880
E	Total height ⁷	mm	2,310 (series) 2,490 (option)	2,310 (series) 2,490 (option)	2,310 (series) 2,490 (option)	2,310 (series) 2,490 (option)
F	Cabin width	mm	990	990	990	990
G	Wheelbase, middle	mm	2,850	2,850	2,850	2,850
H	Ground clearance ⁷ below axle and transmission, fording depth	mm	415	415	415	415
I	Distance from centre of rear wheel to the tail ^{1, 2, 3}	mm	740	740	740	740
J	Rear actuation angle (departure angle) ⁸	°	60	60	60	60
K	Tipping angle ⁴	°	49	49	49	44
L	Dumping angle ⁴	°	41	41	41	45
M	Load-over height ⁷	mm	M1 retracted 6,820 M2 extended 9,330	4,520 6,820	4,520 6,820	4,700 9,330
N	Dumping height ⁷	mm	N1 retracted 6,330 N2 extended 8,760	4,030 6,330	4,030 6,330	4,200 8,760
O	Dumping width	mm	extended 110	110	110	1,980
P	Tele extension length	mm	P1 retracted 7,820 P2 extended 10,120	5,255 7,820	5,255 7,820	5,480 10,120
Q	Total height with rotating beacon	mm	2,540	2,540	2,540	2,540
R	Total height of the telescopic arm bearing in the frame ⁷	mm	1,600	1,600	1,600	1,600
S	Distance from centre front wheel to blade leading edge	mm	1,920	1,920	1,920	2,250
T	Distance from centre front wheel bearing to the quick coupler system seatings	mm	1,200	1,200	1,200	1,440
U	Bucket pivotal point ⁷	mm	U1 retracted 7,335 U2 extended 10,000	5,035 7,335	5,035 7,335	5,300 10,000
V	Transport position with attachment	mm	250	250	250	250
-	Turning radius wheels, outside edge	mm	3,840	3,840	3,840	3,840
-	Turning radius bucket, outside edge	mm	5,000	5,000	5,000	5,025
-	Entry height ⁷ cabin floor	mm	720	720	720	720

¹ with hitch coupling + 320 mm (3007, 3507, 4507, 5007, 5507); + 154 mm (5509)

² with height adjustable trailer coupling + 320 mm (3007, 3507, 4507, 5007, 5507)

³ with fixed trailer coupling + 200 mm (3007, 3507, 4507, 5007, 5507)

⁴ with standard bucket

⁵ depending on the tyres, with mirrors folded in

⁶ - 60 mm with 460/70-24 (3007, 3507); + 20 mm with 500/70R24; + 40 mm with 440/70R28; + 60 mm with 17.5-25 (4507, 5507, 5007, 5509)

⁷ Machine dimensions may vary depending on the tyres

⁸ with hitch trailer coupling 32° (3007, 3507)

Dimensions

Telehandlers up to 9.50 m stacking height

Dimensions	Unit	4507	5007	5507	4209	5509
A Total length ^{1, 2, 3}	mm	4,985	4,985	4,985	5,600 - 5,890	5,600 - 5,890
B Total length with bucket ⁴	mm	6,160	6,160	6,160	6,690	6,690
C Total width without bucket ⁵	mm	2,500	2,500	2,500	2,500	2,500
D Front/rear track ⁶	mm	1,995 - 2,065	1,995 - 2,065	1,995 - 2,065	1,995 - 2,065	1,995 - 2,065
E Total height ⁷	mm	2,570	2,570	2,570	2,570	2,570
F Cabin width	mm	990	990	990	990	990
G Wheelbase, middle	mm	2,950	2,950	2,950	3,150	3,150
H Ground clearance ⁷ below axle and transmission, fording depth	mm	418	418	418	412	412
I Distance from centre of rear wheel to the tail ^{1, 2, 3}	mm	950 - 1,100	950 - 1,100	950 - 1,100	1,140	1,140
J Rear actuation angle (departure angle) ⁸	°	35	35	35	32	32
K Tipping angle ⁴	°	45	45	45	45	45
L Dumping angle ⁴	°	41	41	41	41	41
M Load-over height ⁷	mm	M1 retracted 6,835 M2 extended 6,835	4,518 6,835	4,518 6,835	5,545 8,498	5,545 8,498
N Dumping height ⁷	mm	N1 retracted 3,865 N2 extended 6,183	3,865 6,183	3,865 6,183	5,015 7,997	5,015 7,997
O Dumping width extended	mm	495	495	495	63	63
P Tele extension length	mm	P1 retracted 5,287 P2 extended 7,604	5,287 7,604	5,287 7,604	6,277 9,243	6,277 9,243
Q Total height with rotating beacon	mm	2,740	2,740	2,740	2,740	2,740
R Total height of the telescopic arm bearing in the frame ⁷	mm	1,761	1,761	1,761	1,935	1,935
S Distance from centre front wheel to blade leading edge	mm	max. 2,260	max. 2,260	max. 2,260	max. 2,400	max. 2,400
T Distance from centre front wheel bearing to the quick coupler system seatings	mm	753	753	753	1,310	1,310
U Bucket pivotal point ⁷	mm	U1 retracted 5,092 U2 extended 7,409	5,092 7,409	5,092 7,409	6,116 9,083	6,116 9,083
V Transport position with attachment	mm	250	250	250	250	250
- Turning radius wheels, outside edge	mm	4,240	4,240	4,240	4,415	4,415
- Turning radius bucket, outside edge	mm	5,265	5,265	5,265	5,650	5,650
- Entry height ⁷ cabin floor	mm	975	975	975	975	975

¹ with hitch coupling + 320 mm (3007, 3507, 4507, 5007, 5507); + 154 mm (5509)

² with height adjustable trailer coupling + 320 mm (3007, 3507, 4507, 5007, 5507)

³ with fixed trailer coupling + 200 mm (3007, 3507, 4507, 5007, 5507)

⁴ with standard bucket

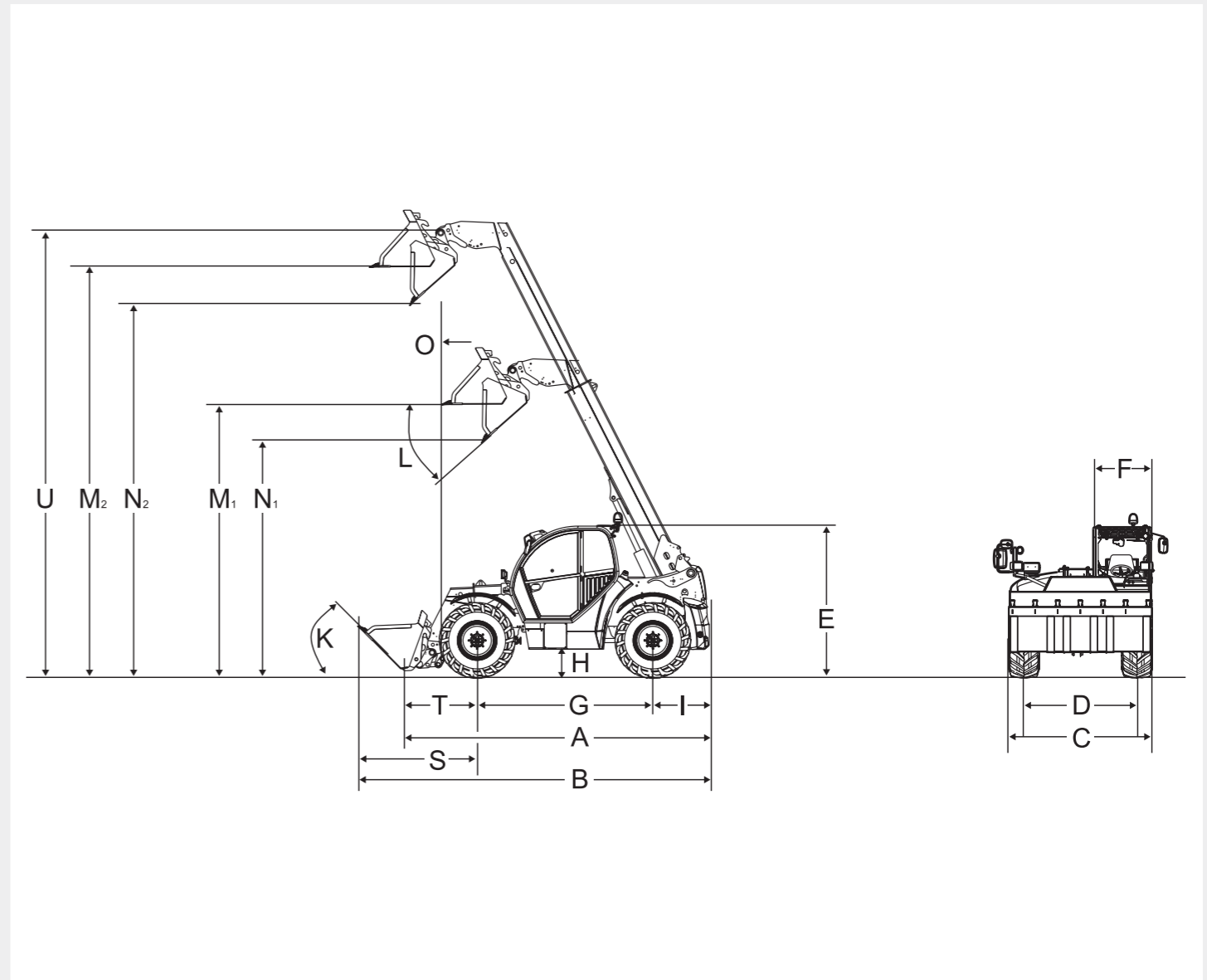
⁵ depending on the tyres, with mirrors folded in

⁶ - 60 mm with 460/70-24 (3007, 3507); + 20 mm with 500/70R24; + 40 mm with 440/70R28; + 60 mm with 17.5-25 (4507, 5507, 5007, 5509)

⁷ Machine dimensions may vary depending on the tyres

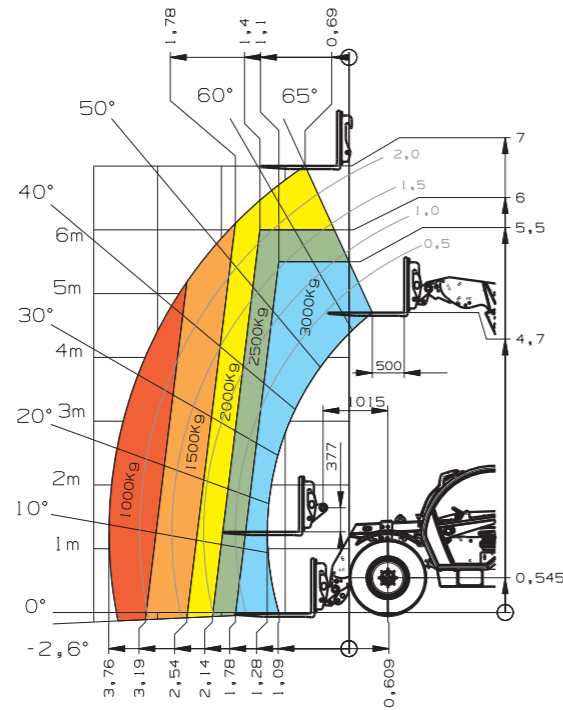
⁸ with hitch trailer coupling 32° (3007, 3507)

Dimensions



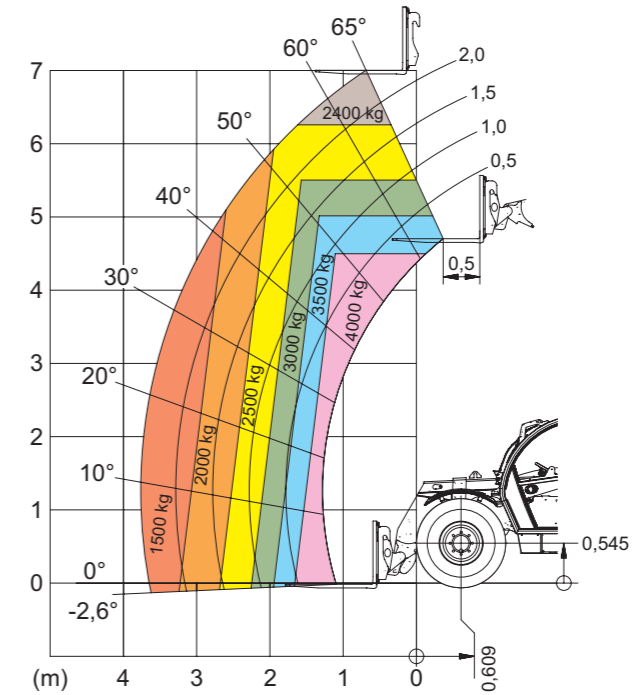
Load-bearing capacity diagrams

3007 Load-bearing capacity diagram (with LSP 500 mm)

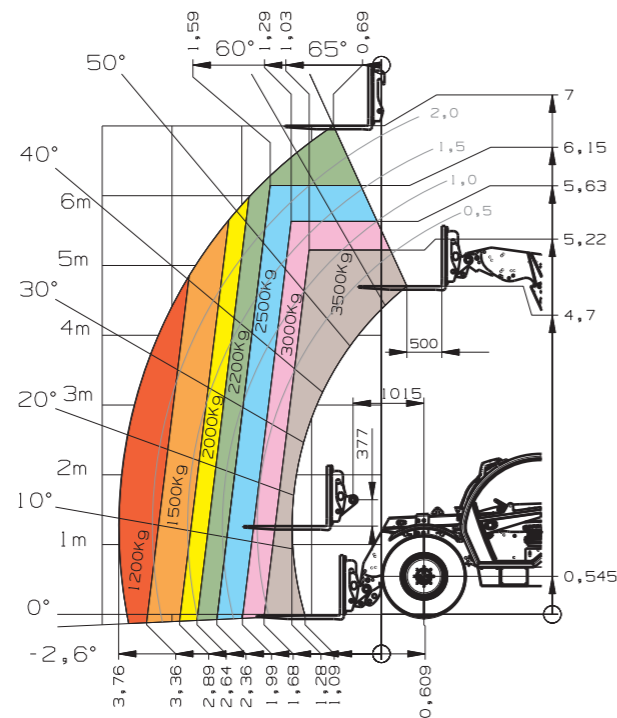


Load-bearing capacity diagrams

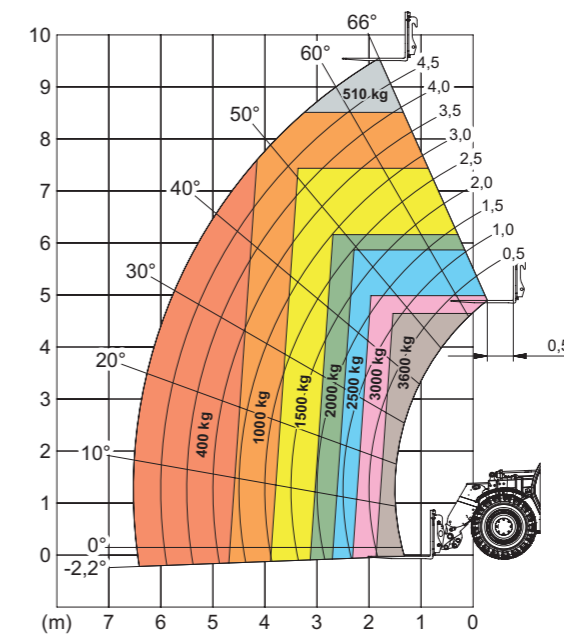
4007 Load-bearing capacity diagram (with LSP 500 mm)



3507 Load-bearing capacity diagram (with LSP 500 mm)

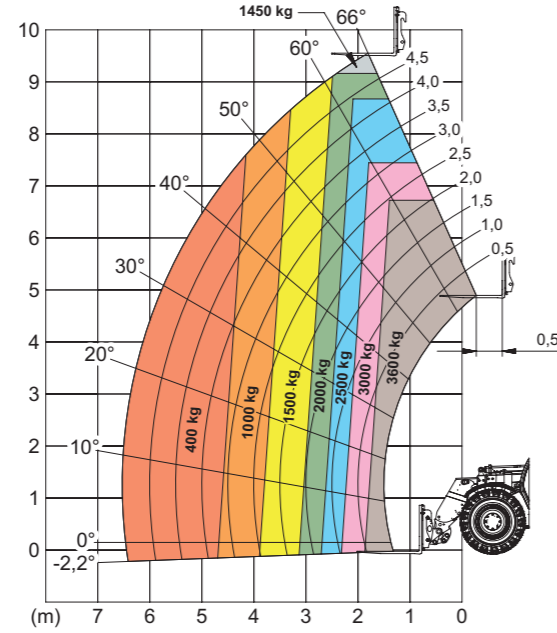


3610 Load-bearing capacity diagram (with LSP 500 mm) without oscillating axle interlock



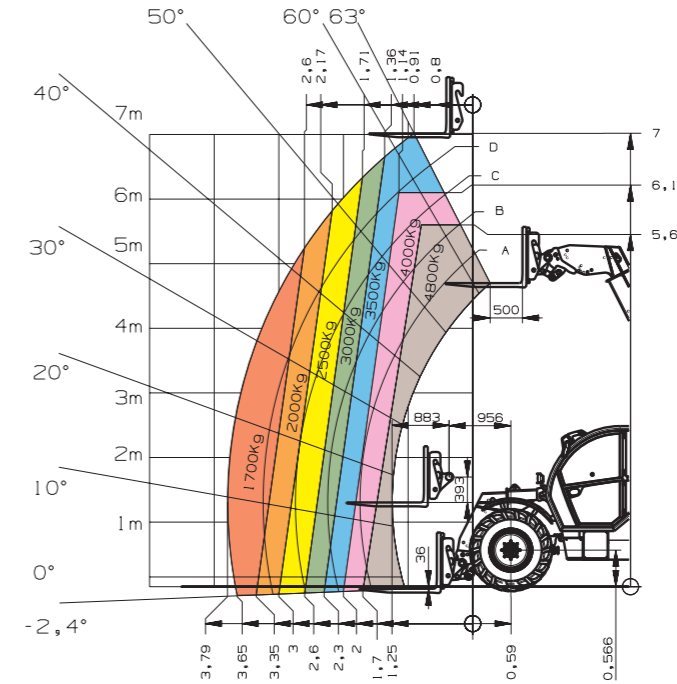
Load-bearing capacity diagrams

3610 Load-bearing capacity diagram (with LSP 500 mm) with oscillating axle interlock

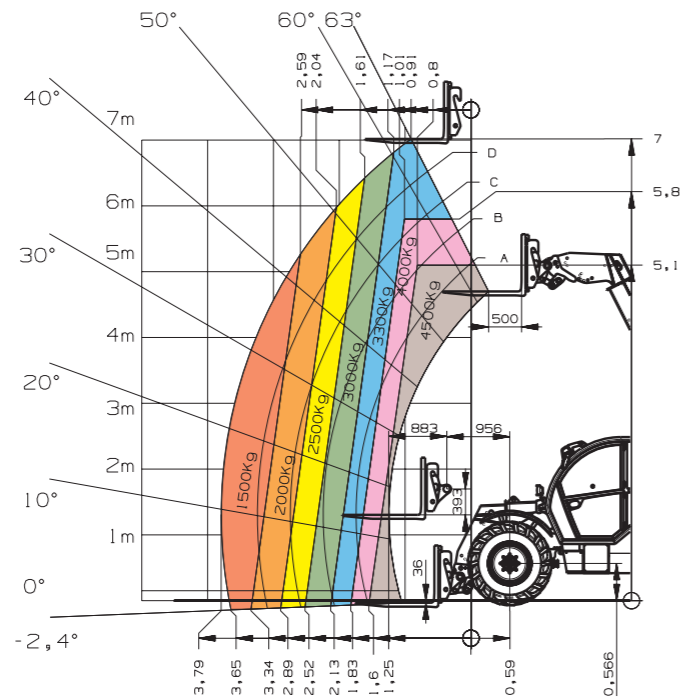


Load-bearing capacity diagrams

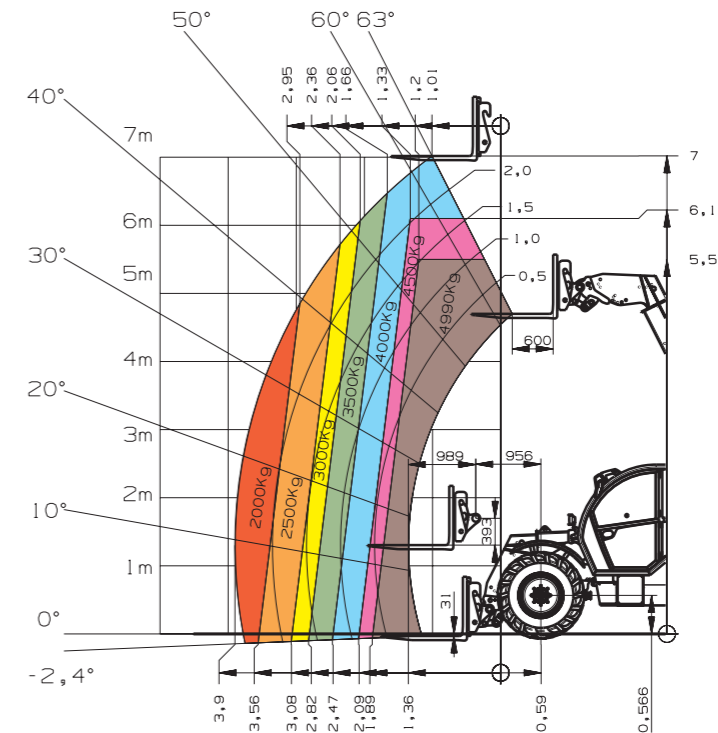
5007 Load-bearing capacity diagram (with LSP 500 mm)



4507 Load-bearing capacity diagram (with LSP 500 mm)

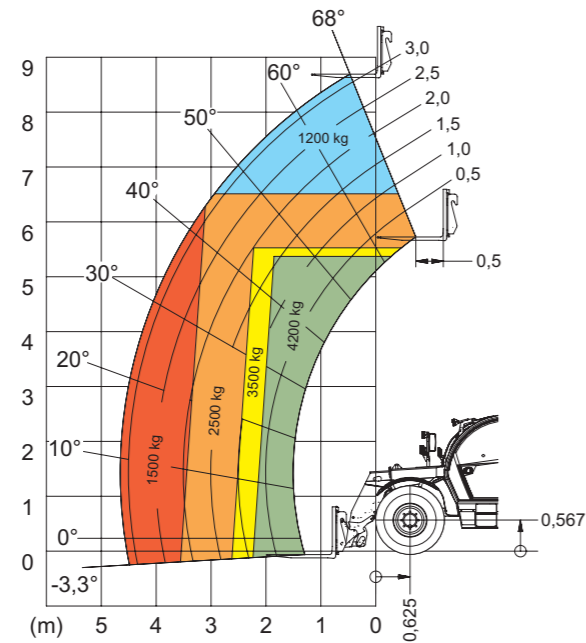


5507 Load-bearing capacity diagram (with LSP 600 mm)

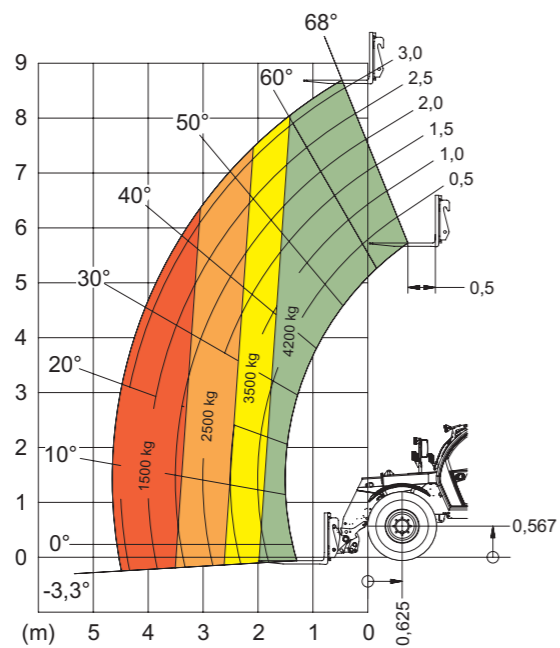


Load-bearing capacity diagrams

4209 Load-bearing capacity diagram (with LSP 500 mm) without oscillating axle interlock

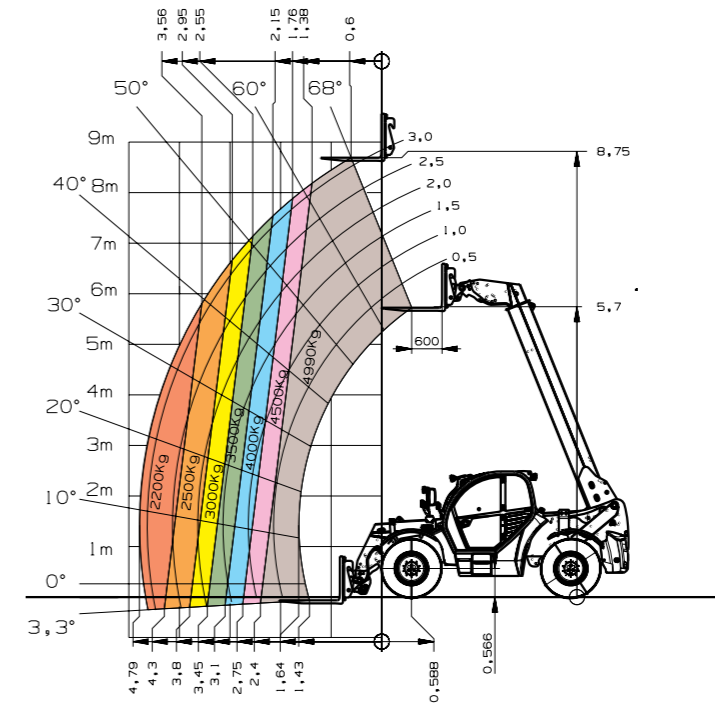


4209 Load-bearing capacity diagram (with LSP 500 mm) with oscillating axle interlock

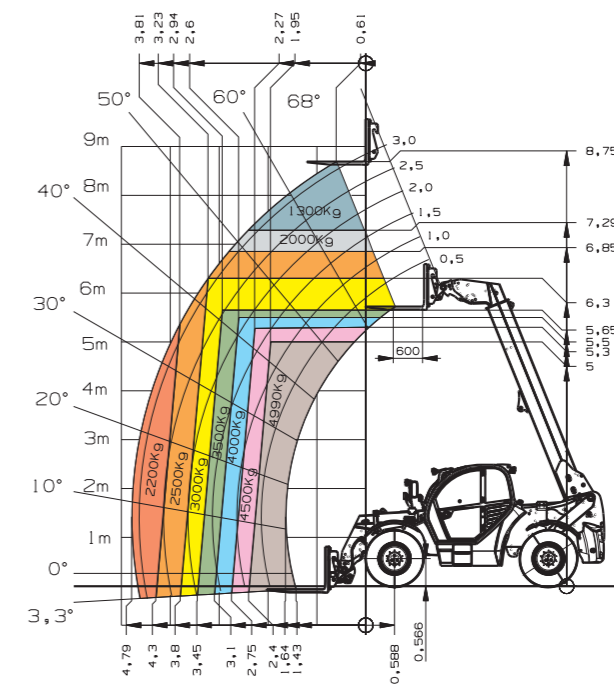


Load-bearing capacity diagrams

5509 Load-bearing capacity diagram (with LSP 600 mm) with hydraulic level compensation and oscillating axle interlock

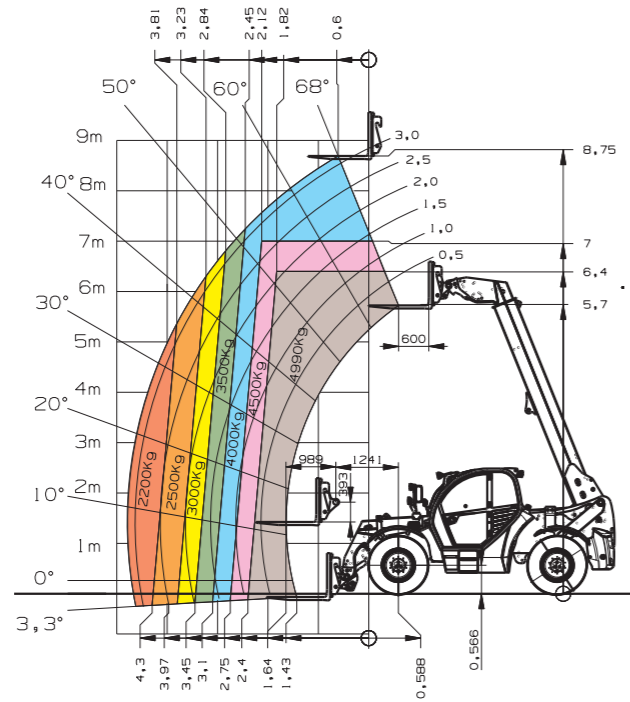


5509 Load-bearing capacity diagram (with LSP 600 mm) without hydraulic level compensation and without oscillating axle interlock



Load-bearing capacity diagrams

5509 Load-bearing capacity diagram (with LSP 600 mm) with oscillating axle interlock



Service and spare parts

Are you looking for appropriate spare parts or operating instructions for your Kramer machine? With Kramer maintenance and repair packages, there is a tailor-made spare part ready at hand for each machine. You will receive all of the required spare parts or operating instruction from our Kramer dealers. With our Kramer Dealer Locator, you can find your local dealer. Simply enter the sector, post code or residence.

You can find more information at:
www.kramer.de/service

Maintenance, diagnosis and repair

The certified technician at your distributor will ensure that your machine is in use again as quickly as possible. You can find more information about the repair and servicing of Kramer machines on our website.



Original Spare Parts

All spare parts that you can source from your Kramer dealer meet the strict requirements of our component manufacturers. Dimensional accuracy, performance, fit and availability can largely only be provided by the original part.



Warranty and safety

Security 24 / Security 36 / Security 48 / Security 60: With the warranty extendible to 24, 36, 48 or even 60 months, our customers can increase their carefree period. They are protected against all eventualities by tailor-made insurance coverage. Get advice from your dealer.



Training sessions

The Kramer Academy is the modern training centre for the service technicians of the Kramer distributors. Here the mechanics learn everything they need to know to maintain Kramer machines and learn about the constantly about the operating principles of new technical systems.



www.kramer.de



KRAMER
on the safe side



Wheel loader
Bucket capacity: 0.35 - 1.80 m³



Telescopic wheel loaders
Bucket capacity: 0.65 - 1.45 m³



Telehandler
Payload: 1,450 - 5,500 kg

Service that can be seen

Focus on your daily activities – with our comprehensive services, we take care of the rest.
We are there when you need us: capable, fast, and directly on site if necessary.



Repair & maintenance



Academy



Telematics



Insurance



Spare parts



Financial Solutions

Go to Kramer
dealer search:
SCAN HERE!



KC.EMEA.10020.V05.EN-GB