

5055e Product



KRAMER
on the safe side



Into the future with new drive

CO₂ emissions, noise, and soot particles are a thing of the past – the Kramer 5055e is the first fully-electric wheel loader with all-wheel steering. The new cost-efficient and emission-free electric drive enables work in buildings and noise-sensitive areas. The 5055e is very compact and, due to the all-wheel steering, is extremely manoeuvrable. One electric motor is installed for the drive system that provides a high level of performance with good resolution.

- Ecological advantages: Alongside a low CO₂ footprint, there is no particulate pollution for the end user and the environment, whereby the protective handling of resources is guaranteed.
- Lower noise level: Less noise exposure for sensitive areas such as hotel facilities, inner cities, parks, building areas
- No exhaust gas emissions: Trouble-free work in interiors, tunnels and completely emissions-free
- Economic advantages: The future-orientated technology enables low maintenance costs and a quick amortisation of additional costs

5055e Technical specifications

Operating data

Bucket capacity (standard bucket)	0.65 m ³
Operating weight	4,150 kg

Engine / Motor

Engine / Motor manufacturer	JULI / Jungheinrich
Engine performance drive train	15 kW
Engine performance working hydraulic	22 kW
Emission standards stage (standard)	emission-free

Power transmission

Traction drive	continuously adjustable elec - tric drive system
Travel speed (max.)	17 km/h
Standard tires	12-18
Differential lock	100% VA
Max. steering angle	2x38 °

Steering and operating hydraulics

Max. pump discharge capacity	54 l/min
Max. pump pressure	235 bar

Kinematics

Design system	P-kinematics
Tipping load (standard bucket)	2,500 kg
Payload S=1.25 (pallet forks)	1,750 kg
Tilt-in angle	48 °
Tip-out angle	42 °

Filling capacities

Hydraulic oil tank	40 l
--------------------	------

Sound emission *

Measured value	81 dB(A)
Guaranteed value	85 dB(A)
Noise level at the driver's ear	69 dB(A)

Vibrations **

Total vibrations value of the upper body extremities	< 2,5 m/s ²
Highest effective value of weighted acceleration for the body	< 0,5 m/s ²

Battery

Supply voltage of battery charger	240 V
Battery voltage	80 V
Rated capacity	416 Ah
Battery weight	1,230 kg
Charging time	5 - 8.5 h

* Information: Measured according to the requirements of the standard DIN EN 474-1 and directive 2000/14/EG. Measuring

station: asphalted surface.

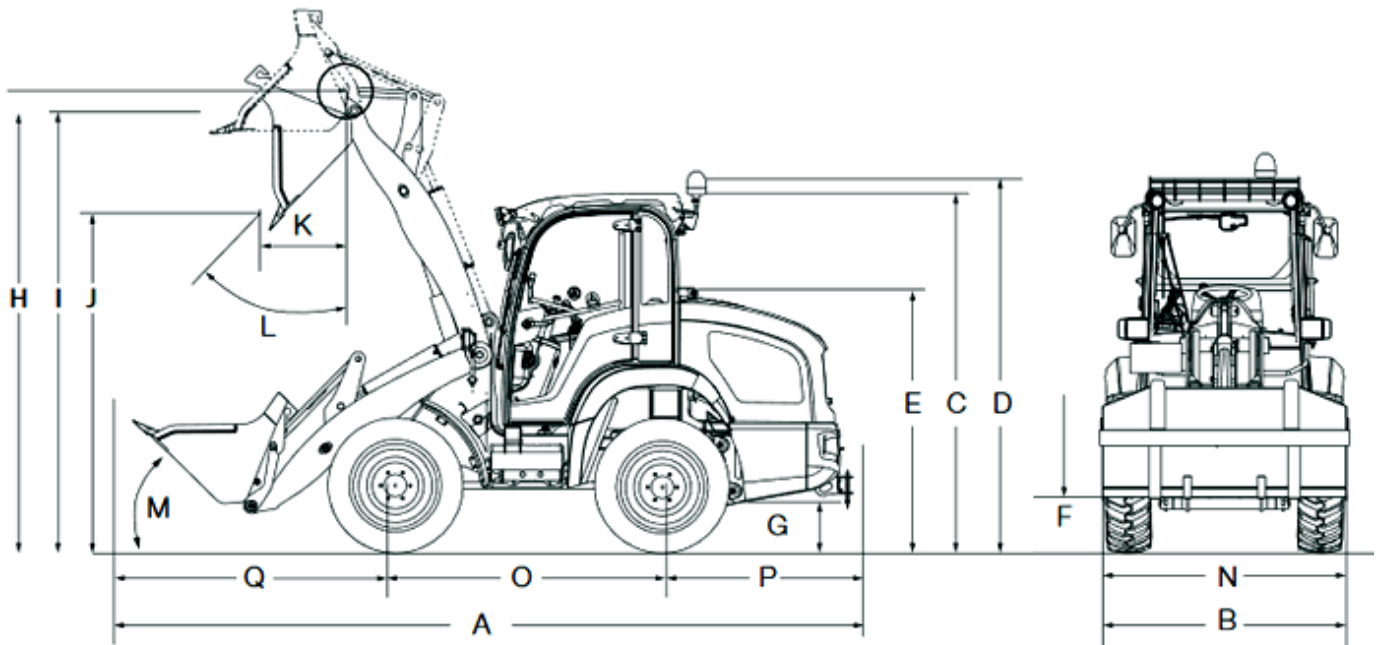
** Uncertainty of the vibration measuring devices according to the requirements of standards DIN EN 474-1 and EN 12096.
Please instruct or inform the operator of possible dangers caused by vibrations.

*** Determined using Kramer test cycle.

All statements without guarantee.

Further technical data can be found in the brochure in the info-material section.

5055e Dimensions



S = standard loader unit

D	Height	2,390 mm
B	Width	1,650 mm
A	Overall length with bucket and towing device	4,950 mm
C	Total height with cabin	2,390 mm
E	Total height upper edge of hood	1,700 mm
F	Ground clearance in transport position of the loading installation	250 mm
G	Ground clearance	280 mm
H	Bucket pivot point	3,050 mm
I	Overhead loading height	2,880 mm
J	Dumping height	2,350 mm
K	Dump reach	320 mm
L	Tip-out angle	42 °
M	Tipping angle	48 °
N	Track width	1,262 mm
O	Wheelbase	1,850 mm
P	Distance center of rear wheel to rear	1,320 mm
Q	Distance from the front wheel center to the front edge of the bucket	1,780 mm
-	Turning radius at the outer edge of the wheels	2,700 mm
-	Turning radius at the outer edge of the bucket	3,550 mm

Note: All dimensions refer to the equipment with standard bucket and standard tires.

Please note: that product availability can vary from country to country. It is possible that information / products may not be available in your country. More detailed information on engine power can be found in the operator's manual; the stated power may vary due to specific operating conditions. Subject to alterations and errors excepted. Applicable also to illustrations.
Copyright © 2022 Kramer-Werke GmbH.