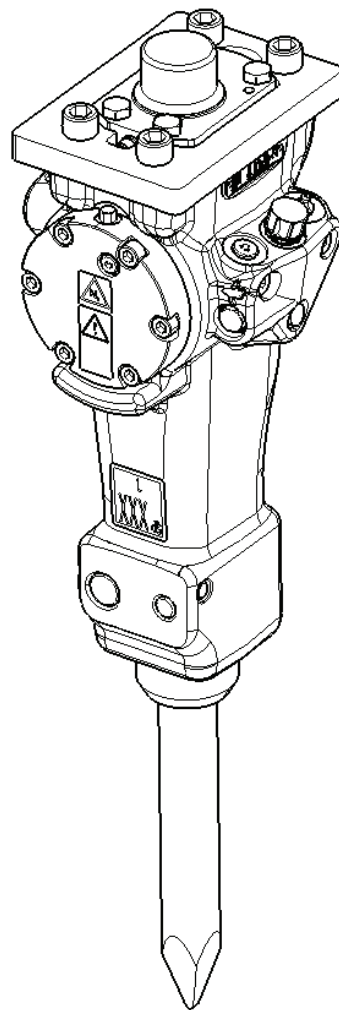


SB 52

Spare parts list Hydraulic breakers

SB 52 s/n BES043707 –



General information

This spare parts list applies to the following:

Part number	Description
8460030010	SB 52

Use only authorized parts. Any damage or malfunction caused by the use of unauthorized parts is not covered by Warranty or Product Liability. Any unauthorized use or copying of the contents or any part thereof is prohibited. This applies in particular to trademarks, model denominations, part numbers, and drawings.

Instructions for use

This spare parts list contains no safety regulations and is merely intended to assist in the ordering of spare parts.

For information about operating, servicing, or repairing, the relevant Safety and operating instructions must be consulted at all costs.

Please observe the safety instructions listed in the relevant Safety and operating instructions!

Service, repair and wear part kits

Label kit 1
Seal kit 3
Lower hammer part kit 5
Accumulator repair kit 7

Mechanical

Spare parts list 9
Bushing oversize, complete 12
Restrictor, complete 15
Tightening torque 17
Dimensions 19

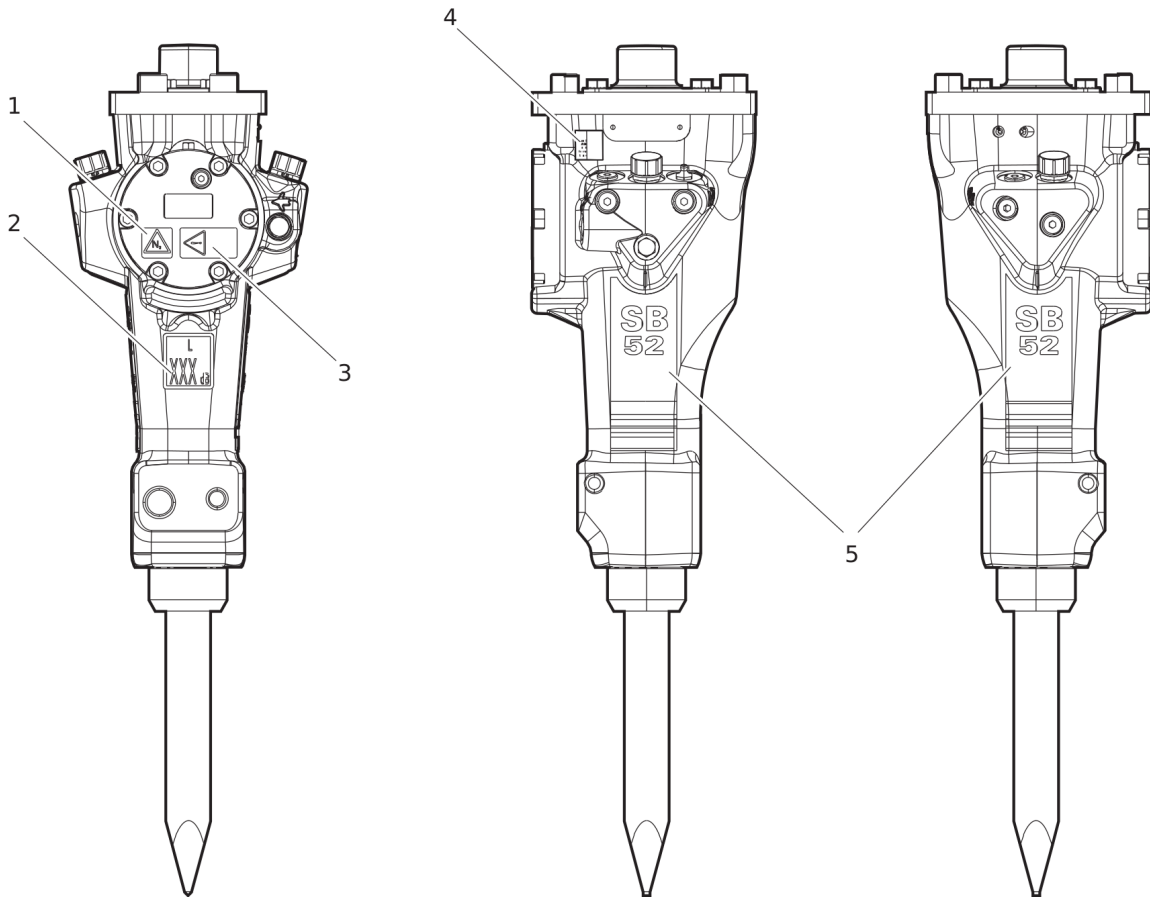
Option/accessories

Hydraulic hoses 20
Optional equipment 23
Working tools ClassicLine 25
Working tools ProLine 27

Annex

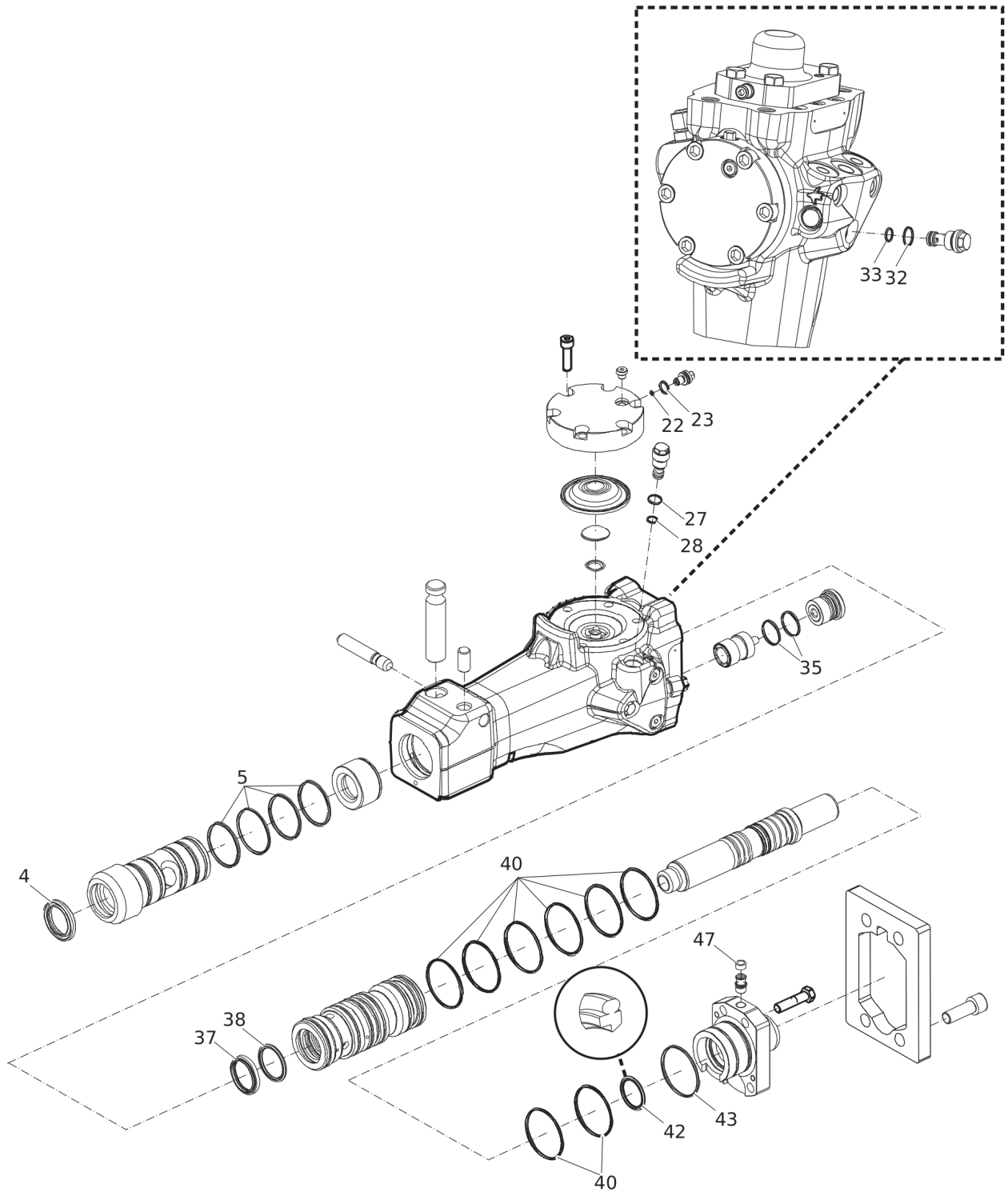
Environmental Product Compliance - REACH Declaration 29

Service, repair and wear part kits Label kit



Item	Part No.	Name	Qty	L
KIT	3315333591	LABEL KIT	1	
1		SAFETY LABEL	1	
2		SOUND POWER LABEL	1	
3		SAFETY LABEL	1	
4		AEM SIGN	1	
5		PRODUCT LABEL	2	

Service, repair and wear part kits Seal kit



Refer to the DocMine web page for most up-to-date information. The printed information might be outdated.

Fri Feb 10 06:19:57 UTC 2023

Item	Part No.	Name	Qty	L
KIT	3315333590	SEAL KIT	1	
4	3315334200	SCRAPER RING	1	
5	0663210800	O-RING	4	A
22	0661100048	SEAL WASHER	1	
23	0663212000	O-RING	1	
27	0663903201	O-RING	1	B
28	0663905401	O-RING	1	C
32	0663903201	O-RING	1	B
33	0663905401	O-RING	1	C
35	0663211489	O-RING	2	D
37	0665909963	WIPER	1	
38	0665070142	PISTON ROD SEAL	1	
40	0663211364	O-RING	9	E
42	0665070141	PISTON ROD SEAL	1	
43	0663210653	O-RING	1	F
47	3315280800	VALVE RUBBER	1	
-		BACK-UP RING	1	

Comments for Page: Seal kit

(L)OCAL REMARKS

A | 54.5 x 3 mm (2.15 x 0.12 in.)

B | Ø 15.6 x 1.78 (Ø 0.61 x 0.07 in.)

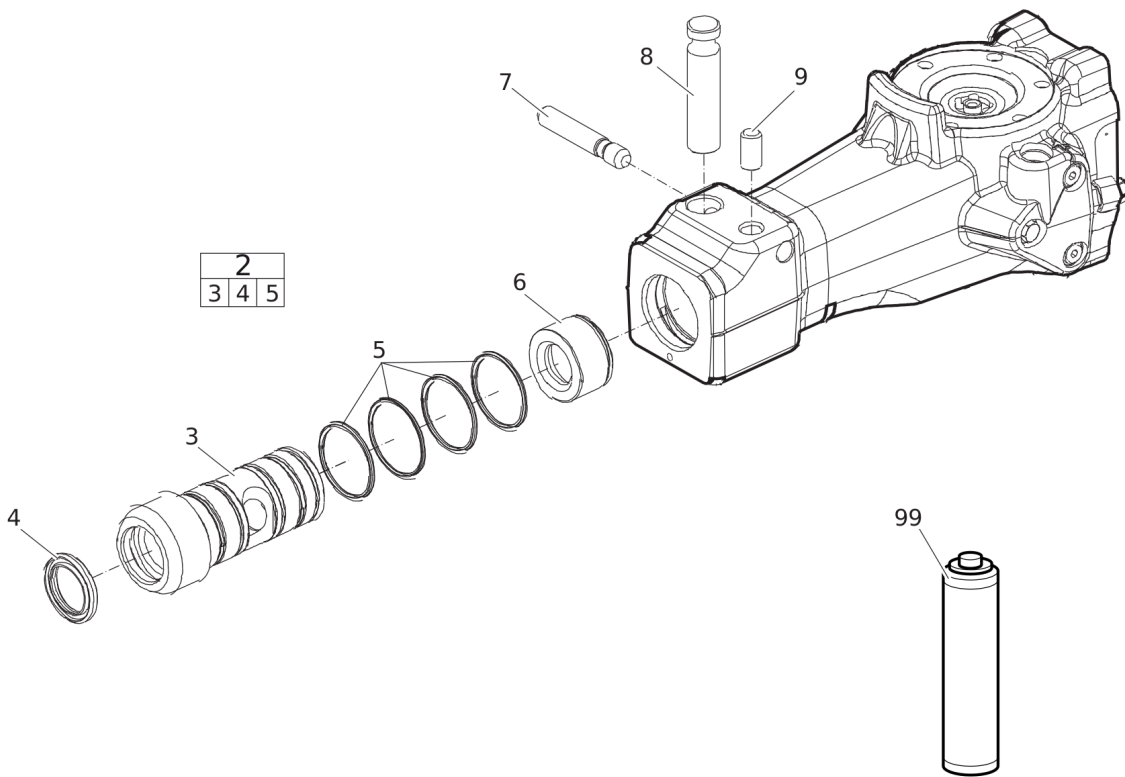
C | Ø 10.82 x 1.78 mm (Ø 0.43 x 0.07 in.) 90 shore

D | 28.24 x 2.62 mm (1.11 x 0.10 in.)

E | 58 x 3 mm (2.28 x 0.12 in.)

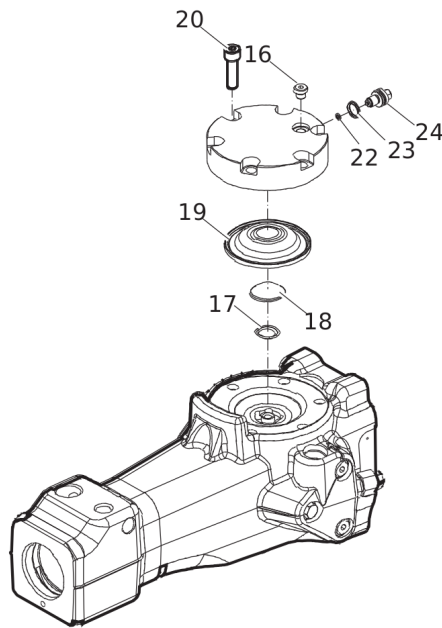
F | 76 x 2 mm (2.99 x 0.08 in.)

Service, repair and wear part kits Lower hammer part kit



Item	Part No.	Name	Qty	L
KIT	3315352105	LOWER HAMMER PART KIT	1	
2	3315333780	BUSHING, complete	1	
3		BUSHING	1	
4	3315334200	SCRAPER RING	1	
5	0663613501	O-RING	4	
6	3315334500	STOP RING	1	
7	3315333900	LOCK PIN	1	
8	3315346500	TOOL RETAINER	1	
9	3315304600	LOCK BUFFER	1	
99	3315038100	BIO CHISEL PASTE CARTRIDGE, 1 x 400 g (0.88 lbs)	1	

Service, repair and wear part kits Accumulator repair kit



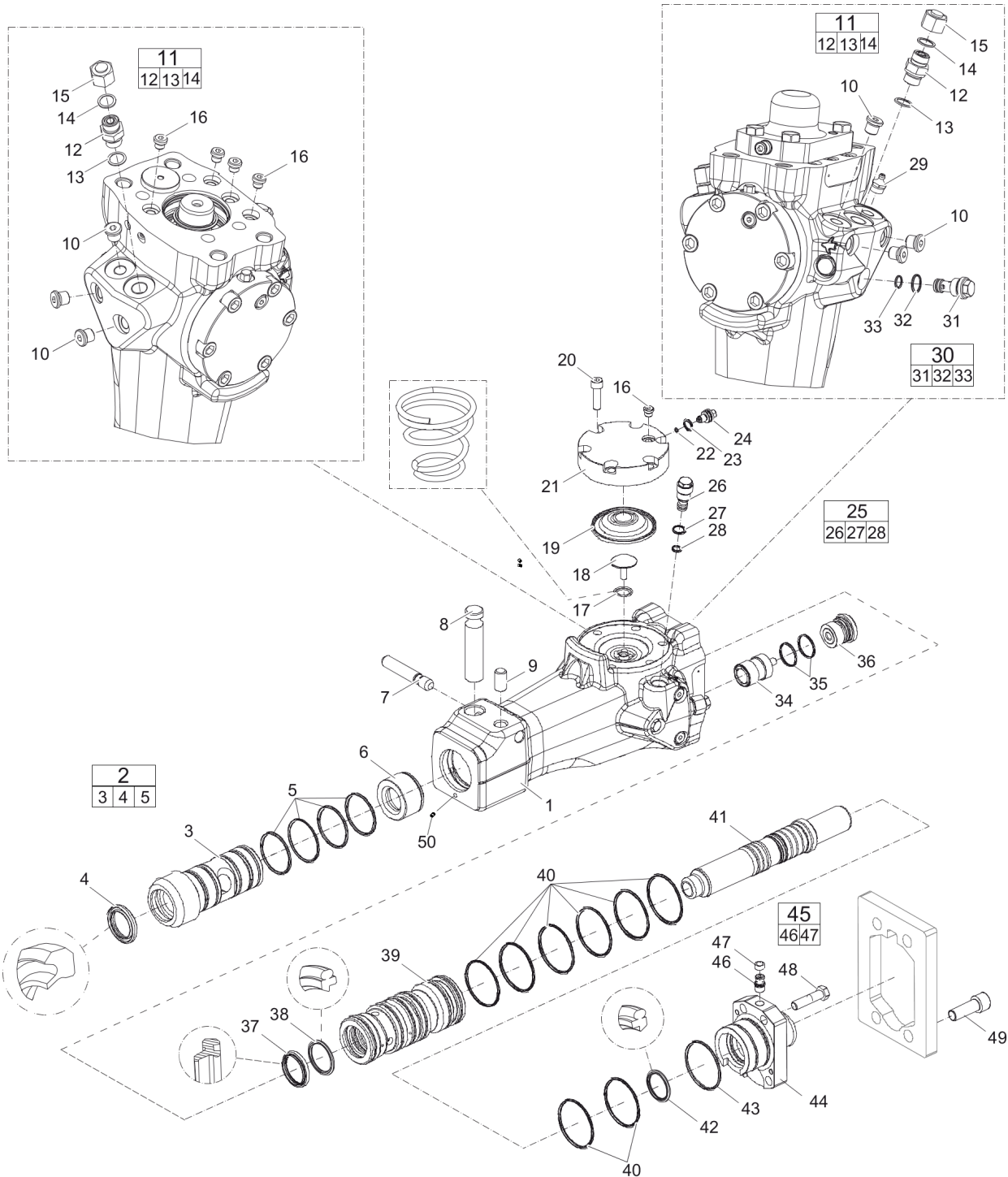
Item	Part No.	Name	Qty	L
KIT	3315334690	ACCUMULATOR REPAIR KIT	1	
16	0686371805	PLUG	1	A
17	3315346600	COIL SPRING	1	
18	3315339100	DIAPHRAGM SUPPORT	1	
19	3315346200	DIAPHRAGM	1	
20	0211196548	ALLEN SCREW	6	
22	0661100048	SEAL WASHER	1	
23	0663212000	O-RING	1	
24	3315346400	CHARGE VALVE	1	

Comments for Page: Accumulator repair kit

(L)OCAL REMARKS

A | VSTI R 1/8-ED

Mechanical Spare parts list



Refer to the DocMine web page for most up-to-date information. The printed information might be outdated.

Fri Feb 10 06:20:01 UTC 2023

Item	Part No.	Name	Qty	L
1		HAMMER BODY	1	
2	3315333780	BUSHING, complete	1	A
3		BUSHING, Ø 60 mm (Ø 2.36 in.)	1	
4	3315334200	SCRAPER RING	1	
5	0663210800	O-RING	4	
6	3315334500	STOP RING	1	
7	3315333900	LOCK PIN	1	
8	3315346500	TOOL RETAINER	1	
9	3315304600	LOCK BUFFER	1	
10	0686644207	PLUG	6	B
11	0570700002	NIPPLE, complete	2	C
12		FITTING	1	
13	0664000002	SEAL RING	1	
14	0663905001	O-RING	1	
15	0570700009	CAP	2	
16	0686371805	PLUG	5	D
17	3315346600	COIL SPRING	1	
18	3315339100	DIAPHRAGM SUPPORT	1	
19	3315346200	DIAPHRAGM	1	
20	0211196548	ALLEN SCREW	6	
21	3315334600	ACCUMULATOR COVER	1	
22	0661100048	SEAL WASHER	1	
23	0663212000	O-RING	1	
24	3315346400	CHARGE VALVE	1	
25	3315335000	PRESSURE RELIEF VALVE, complete	1	E
26		PRESSURE RELIEF VALVE	1	
27	0663903201	O-RING	1	
28	0663905401	O-RING	1	
29	3360433774	GREASE NIPPLE	1	F
30	3315369537	RESTRICTOR, complete	1	G
31		RESTRICTOR	1	
32	0663903201	O-RING	1	
33	0663905401	O-RING	1	
34	3315298700	CONTROL VALVE	1	
35	0663211489	O-RING	2	
36	3315365000	VALVE COVER	1	
37	0665909963	WIPER	1	

Refer to the DocMine web page for most up-to-date information. The printed information might be outdated.

Fri Feb 10 06:20:01 UTC 2023

Item	Part No.	Name	Qty	L
38	0665070142	PISTON ROD SEAL	1	
39	3315333800	LINER	1	
40	0663211364	O-RING	8	
41	3315334000	PISTON	1	
42	0665070141	PISTON ROD SEAL	1	
43	0663210653	O-RING	1	
44	3315333600	BACK HEAD	1	
45	3315244881	CHECK VALVE, complete	1	
46		CHECK VALVE	1	
47	3315280800	VALVE RUBBER	1	
48	0147140503	SCREW, HEX HEAD	4	
49	3315333592	BOLT KIT	1	
50	0686100016	PLUG	3	

Comments for Page: Spare parts list

(L)OCAL REMARKS

A | For more bushings, see section "Bushing oversize, complete"

B | VSTI R 4/4-ED

C | 11/16 - 16UN G3/8A

D | VSTI R 1/8-ED

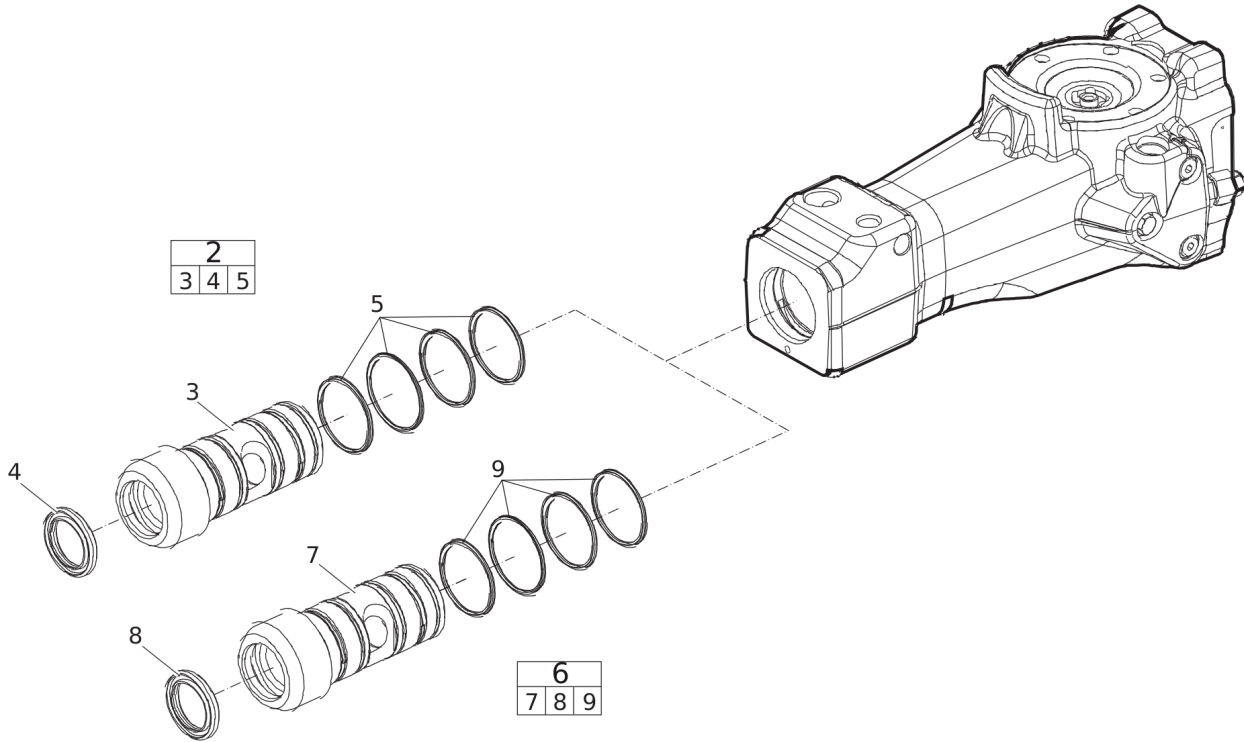
E | CAS No. see chapter "Environmental Product Compliance - REACH Declaration"

F | ISO 7 - R 1/4

G | For more restrictors, see section "Restrictor, complete"

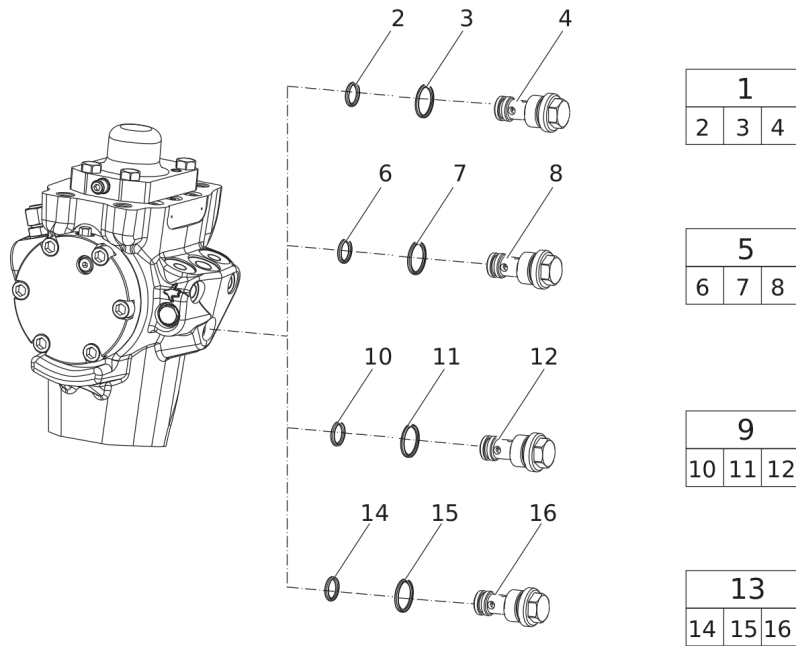
This page intentionally left blank

Mechanical Bushing oversize, complete



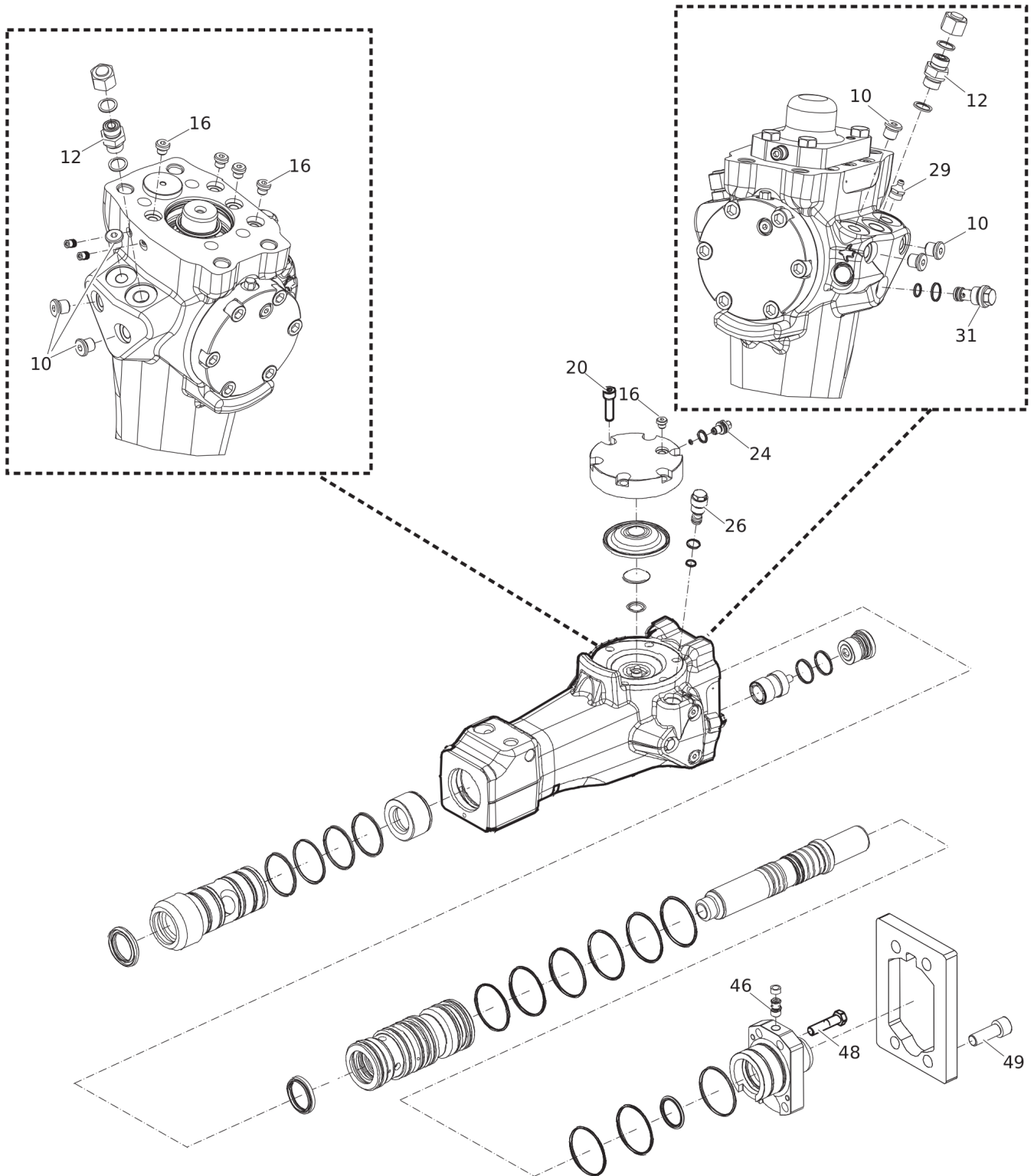
Item	Part No.	Name	Qty	L
2	3315333760	BUSHING OVERSIZE, complete	1	
3		BUSHING, Ø 61.5 mm (Ø 2.42 in.)	1	
4	3315334200	SCRAPER RING	1	
5	0663210800	O-RING	4	
6	3315333763	BUSHING OVERSIZE, complete	1	
7		BUSHING, Ø 63.0 mm (Ø 2.48 in.)	1	
8	3315334200	SCRAPER RING	1	
9	0663210800	O-RING	4	

Mechanical Restrictor, complete



Item	Part No.	Name	Qty	L
1	3315369522	RESTRICTOR, complete	1	
2	0663905401	O-RING	1	
3	0663903201	O-RING	1	
4		RESTRICTOR, Ø 2.2 mm (Ø 0.09 in.)	1	
5	3315369524	RESTRICTOR, complete	1	
6	0663905401	O-RING	1	
7	0663903201	O-RING	1	
8		RESTRICTOR, Ø 2.4 mm (Ø 0.09 in.)	1	
9	3315369536	RESTRICTOR, complete	1	
10	0663905401	O-RING	1	
11	0663903201	O-RING	1	
12		RESTRICTOR, Ø 3.0 mm (Ø 0.12 in.)	1	
13	3315369537	RESTRICTOR, complete	1	
14	0663905401	O-RING	1	
15	0663903201	O-RING	1	
16		RESTRICTOR, Ø 3.3 mm (Ø 0.13 in.)	1	

Mechanical Tightening torque



Refer to the DocMine web page for most up-to-date information. The printed information might be outdated.

Fri Feb 10 06:20:03 UTC 2023

Item	Part No.	Name	Qty	L
10		PLUG - 30 Nm (22 ft lbf)	-	A
12		NIPPLE - 80 Nm (59 ft lbf)	-	
16		PLUG - 20 Nm (15 ft lbf)	-	A
20		HEXAGON SOCKET SCREW - 75 Nm (55 ft lbf)	-	B
24		VALVE - 27 Nm (20 ft lbf)	-	
26		PRESSURE RELIEF VALVE - 60 Nm (44 ft lbf)	-	
29		GREASE NIPPLE - 30 Nm (22 ft lbf)	-	
31		RESTRICTOR - 80 Nm (59 ft lbf)	-	
46		CHECK VALVE - 30 Nm (22 ft lbf)	-	A
48		HEXAGON HEAD SCREW - 75 Nm (55 ft lbf)	-	B
49		SET OF FOUR HEXAGON SOCKET SCREW - 290 Nm (214 ft lbf)	-	B

Comments for Page: Tightening torque

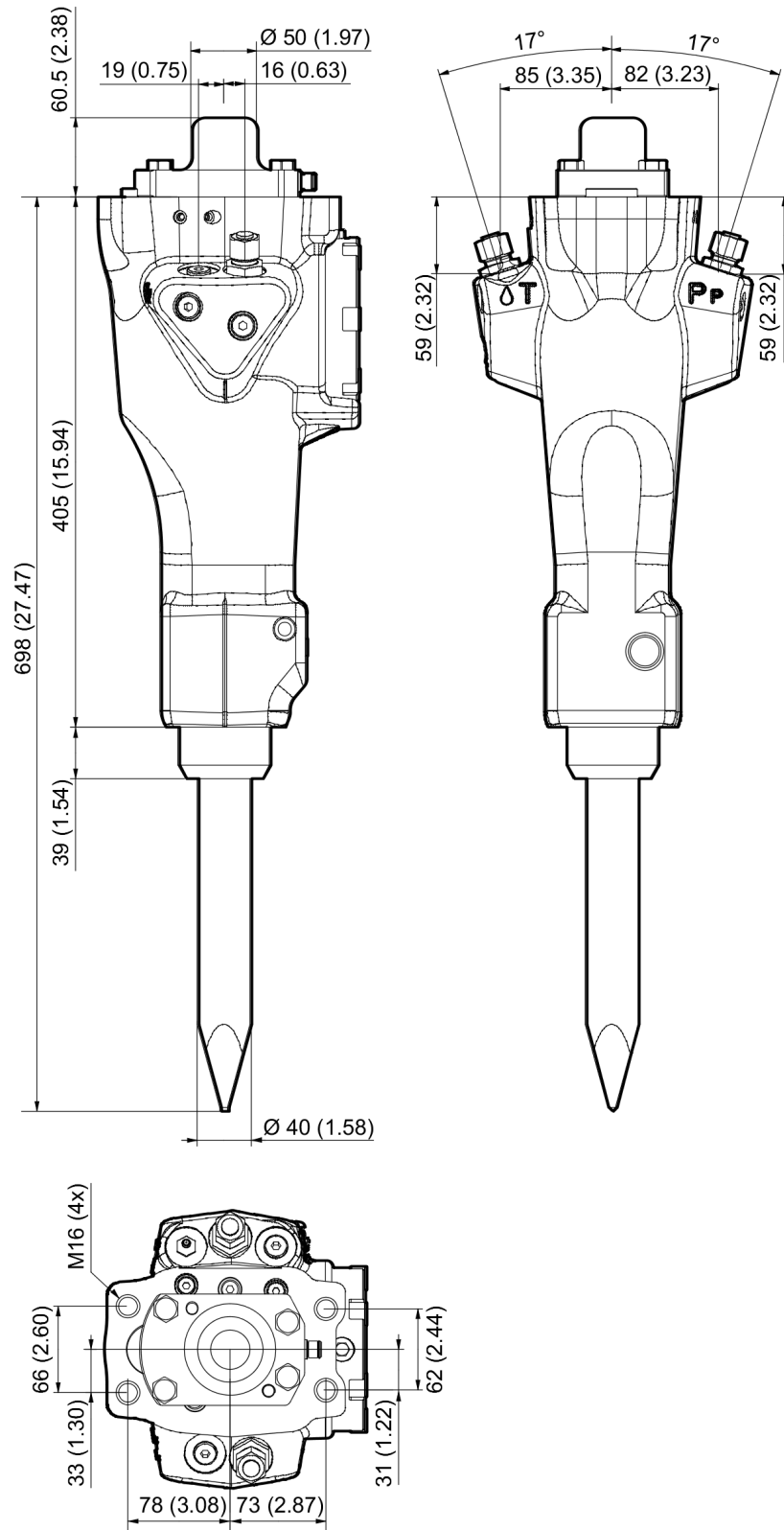
LOCTITE is a registered trademark of Henkel Corporation. 243 is a trademark of Henkel Corporation. Molykote is a registered trademark of Dow Corning Corporation.

(L)OCAL REMARKS

A | LOCTITE® 243™

B | Molykote®

Mechanical Dimensions

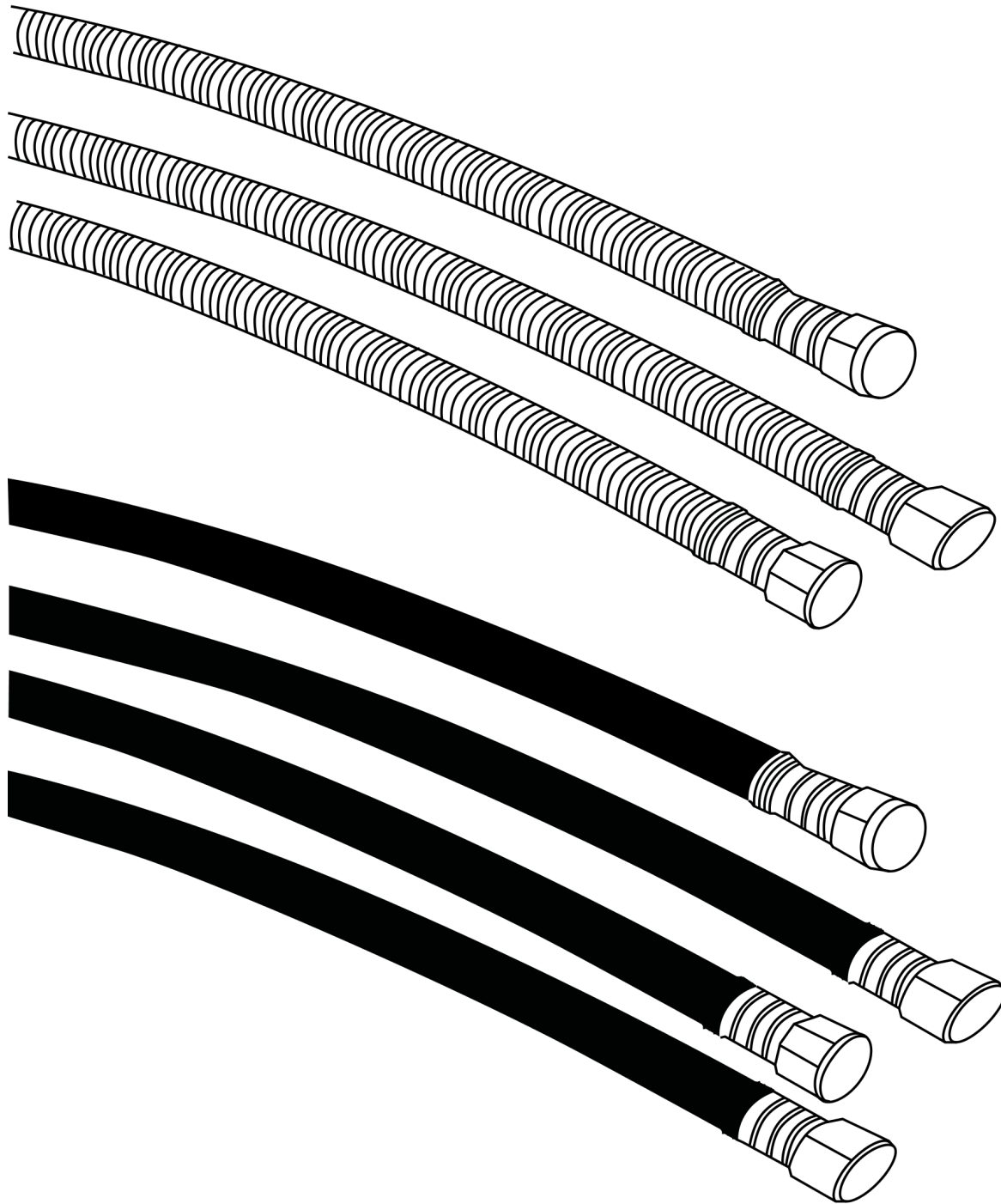


Refer to the DocMine web page for most up-to-date information. The printed information might be outdated.

Fri Feb 10 06:20:04 UTC 2023

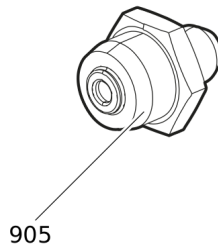
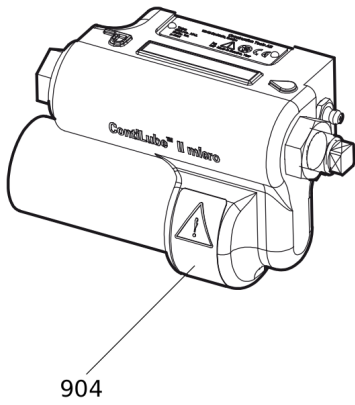
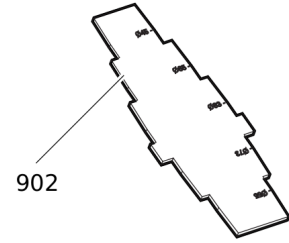
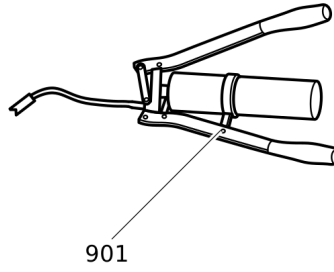
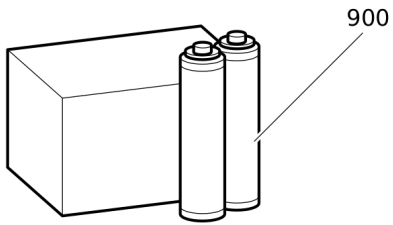
This page intentionally left blank

Option/accessories Hydraulic hoses



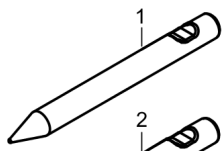
Item	Part No.	Name	Qty	L
1	-	HEAVY DUTY CONNECTION HOSES WITH STEEL SPRING PROTECTION	1	
2	3363116917	HYDRAULIC HOSE, I.D. 12 (0.47"), both ends M 22 x 1.5, conical seal 24°, length 1000 mm (39.4 in.)	1	
3	3363115422	HYDRAULIC HOSE, I.D. 12 (0.47"), both ends M 22 x 1.5, conical seal 24°, length 1500 mm (59.05 in.)	1	
4	3361353551	HYDRAULIC HOSE, I.D. 12 (0.47"), both ends M22 x 1.5, conical seal 24°, length 1750 mm (69 in.)	1	
5	3363085946	HYDRAULIC HOSE, I.D. 12 (0.47"), both ends M22 x 1.5, conical seal 24°, length 2100 mm (83 in.)	1	
6	-	STANDARD CONNECTION HOSES	1	
7	3363115420	HYDRAULIC HOSE, I.D. 12 (0.47"), both ends M 22 x 1.5, conical seal 24°, length 1500 mm (59.05 in.)	1	
8	3363491001	HYDRAULIC HOSE, I.D. 12 (0.47"), both ends M22 x 1.5, conical seal 24°, length 1750 mm (69 in.)	1	
9	3363115421	HYDRAULIC HOSE, I.D. 12 (0.47"), both ends M 22 x 1.5, conical seal 24°, length 2100 mm (82.68 in.)	1	
10	3363098017	ADDITIONAL FITTING SET	1	

Option/accessories Optional equipment

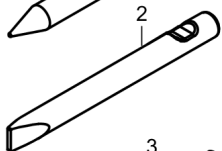


Item	Part No.	Name	Qty	L
900	3363122354	BIO CHISEL PASTE, 20 x 150 g (0.33 lbs)	1	
900	3363122355	BIO CHISEL PASTE CARTRIDGE FOR GREASE GUN, 12 x 400 g (0.88 lbs)	1	
-	3363122357	BIO CHISEL PASTE CONTAINER 15 kg (33 lbs)	1	
-	3363122358	BIO CHISEL PASTE CONTAINER 45 kg (99 lbs)	1	
-	3363094669	FILLING DEVICE	1	
-	3363066411	FILLING DEVICE	1	
-	3315383980	FILLING ADAPTER	1	
901	0909107100	LUBRICAT.GUN	1	
902	3315353100	BUSHING WEAR CONTROLLER	1	
904	3315383190	CONTILUBE II MICRO	1	
905	3363094459	NIPPLE, for charging the accumulator	1	
-	3360920415	FILLING DEVICE, for accumulator	1	
-	3361329803	FILLING HOSE, for charging the accumulator	1	
-	3315386780	WELDING KIT, universal	1	
-	3315386280	HOSE KIT, universal	1	

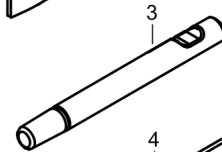
Option/accessories Working tools ClassicLine



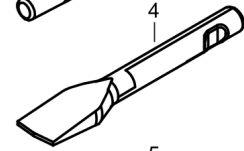
L=254 mm, LT=420 mm, Wt=3,9 kg
L=10.00 inch, LT=16.54 inch, Wt=8.5 lb



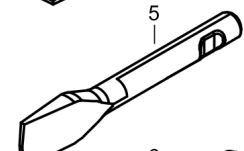
L=254 mm, LT=420 mm, Wt=3,8 kg
L=10.00 inch, LT=16.54 inch, Wt=8.5 lb



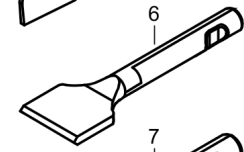
LT=400 mm, Wt=3,8 kg
LT=15.75 inch, Wt=8.4 lb



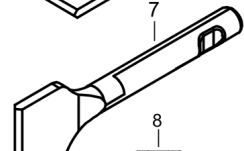
W=75 mm, L=254 mm, LT=420 mm, Wt=4,2 kg
W=2.95 inch, L=10.00 inch, LT=16.54 inch, Wt=9.2 lb



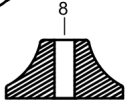
W=75 mm, L=254 mm, LT=420 mm, Wt=4,3 kg
W=2.95 inch, L=10.00 inch, LT=16.54 inch, Wt=9.5 lb



W=120 mm, L=254 mm, LT=420 mm, Wt=4,4 kg
W=4.72 inch, L=10.00 inch, LT=16.54 inch, Wt=9.7 lb



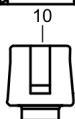
W=120 mm, L=254 mm, LT=420 mm, Wt=4,4 kg
W=4.72 inch, L=10.00 inch, LT=16.54 inch, Wt=9.7 lb



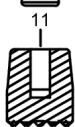
W= Ø200 mm, Wt=15 kg
W=Ø7.87 inch, Wt=33.1 lb



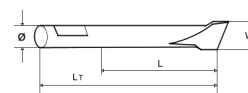
W=Ø100 mm, Wt=8.5 kg
W=Ø3.94 inch, Wt=18.7 lb



W=Ø50 mm, Wt=3.3 kg
W=Ø1.97 inch, Wt=7.3 lb

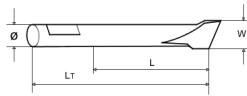
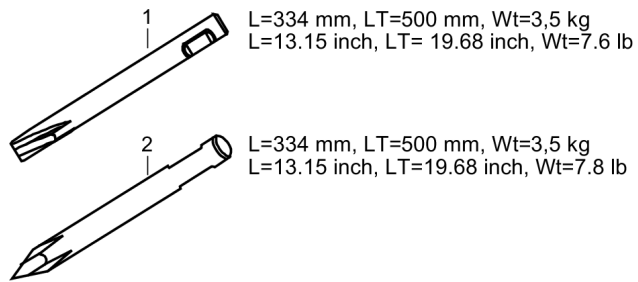


W=Ø90 mm, Wt=4.1 kg
W=Ø3.54 inch, Wt=9.0 lb



Item	Part No.	Name	Qty	L
1	3083340918	MOIL POINT	1	
2	3083340919	CHISEL (cross)	1	
3	3315369901	SHAFT	1	
4	3083340920	WIDE CHISEL (cross)	1	
5	3083340921	WIDE CHISEL (parallel)	1	
6	3083340922	ASPHALT CUTTER (cross)	1	
7	3083340923	ASPHALT CUTTER (parallel)	1	
8	3315370600	TAMPING PAD (square)	1	
9	3315371400	POST DRIVER PAD (round)	1	
10	3315372100	PILE DRIVER PAD (round)	1	
11	3315372800	BUSHING PAD (round)	1	

Option/accessories Working tools ProLine



Item	Part No.	Name	Qty	L
1	3363098258	MOIL POINT (X-profile)	1	
2	3363120257	CHISEL (X-Profile)	1	

Annex Environmental Product Compliance - REACH Declaration

NO EXPLODED VIEW
AVAILABLE
FOR THIS BOM

Item	Part No.	Name	Qty	L
25	-	PRESSURE RELIEF VALVE, complete, Part No. 3315335000 - CAS No. 7439-92-1	-	

Comments for Page: Environmental Product Compliance - REACH Declaration

EU REACH Candidate List substances present in product listed above.

Any unauthorized use or copying of the contents or any part thereof is prohibited.
This applies in particular to trademarks, model denominations, part numbers, and drawings.