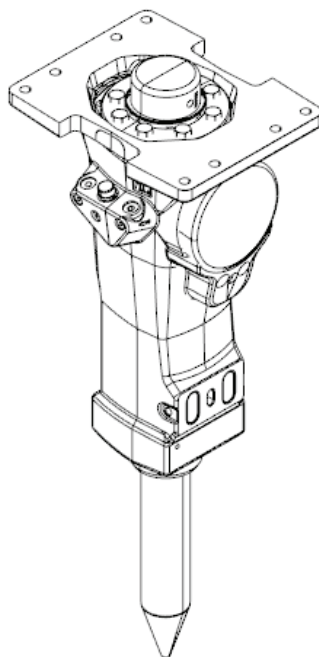


# SB 452 Tunnel

---

## Spare parts list Hydraulic breakers

SB 452 Tunnel s/n BES083100 –



# General information

This spare parts list applies to the following:

Part number	Description
8460030070	SB 452 Tunnel

Use only authorized parts. Any damage or malfunction caused by the use of unauthorized parts is not covered by Warranty or Product Liability. Any unauthorized use or copying of the contents or any part thereof is prohibited. This applies in particular to trademarks, model denominations, part numbers, and drawings.

## Instructions for use

This spare parts list contains no safety regulations and is merely intended to assist in the ordering of spare parts.

For information about operating, servicing, or repairing, the relevant Safety and operating instructions must be consulted at all costs.

Please observe the safety instructions listed in the relevant Safety and operating instructions!

I

**Service, repair and wear parts Kits**

Label kit ..... 1  
Seal kit ..... 3  
Lower hammer part kit ..... 5  
Accumulator repair kit ..... 7

**Mechanical**

Spare part list ..... 9  
Tightening torque ..... 13  
Dimensions (mm) ..... 15  
Assembly instruction ..... 16

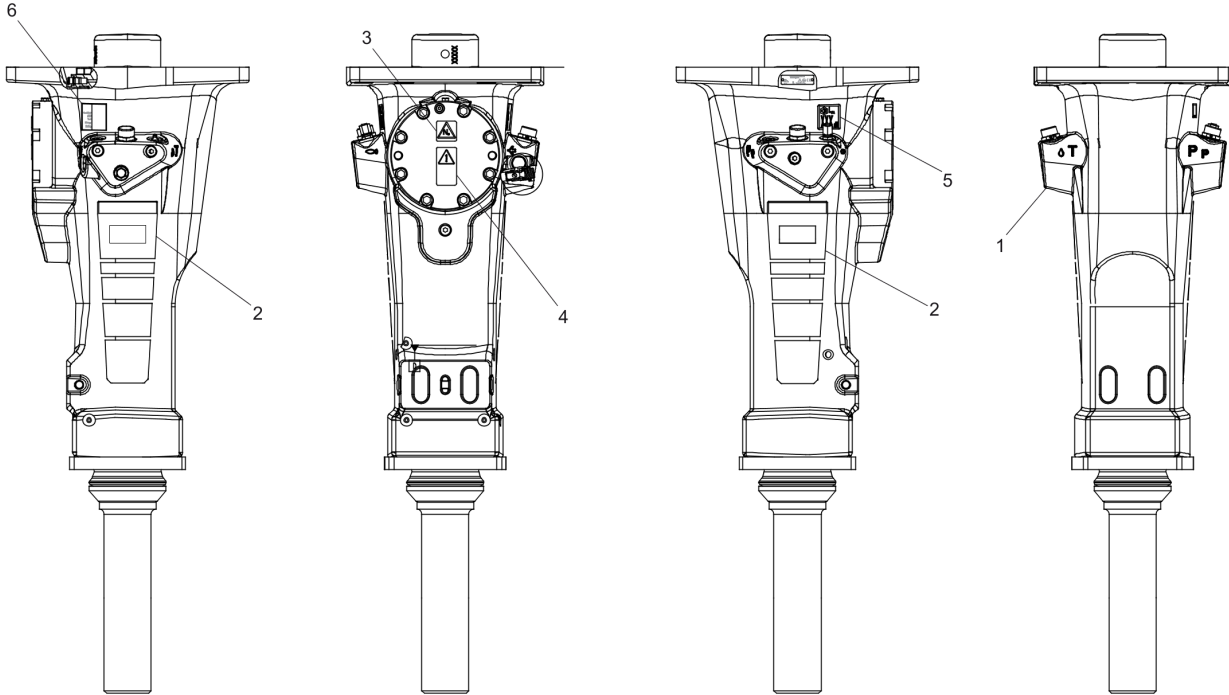
**Option and accessories**

Working Tools ClassicLine ..... 18  
Optional parts - Restrictor, complete ..... 21  
Optional parts - Bushing oversize, complete ..... 23  
Optional equipment ..... 25  
Hydraulic hoses ..... 27

**Annex**

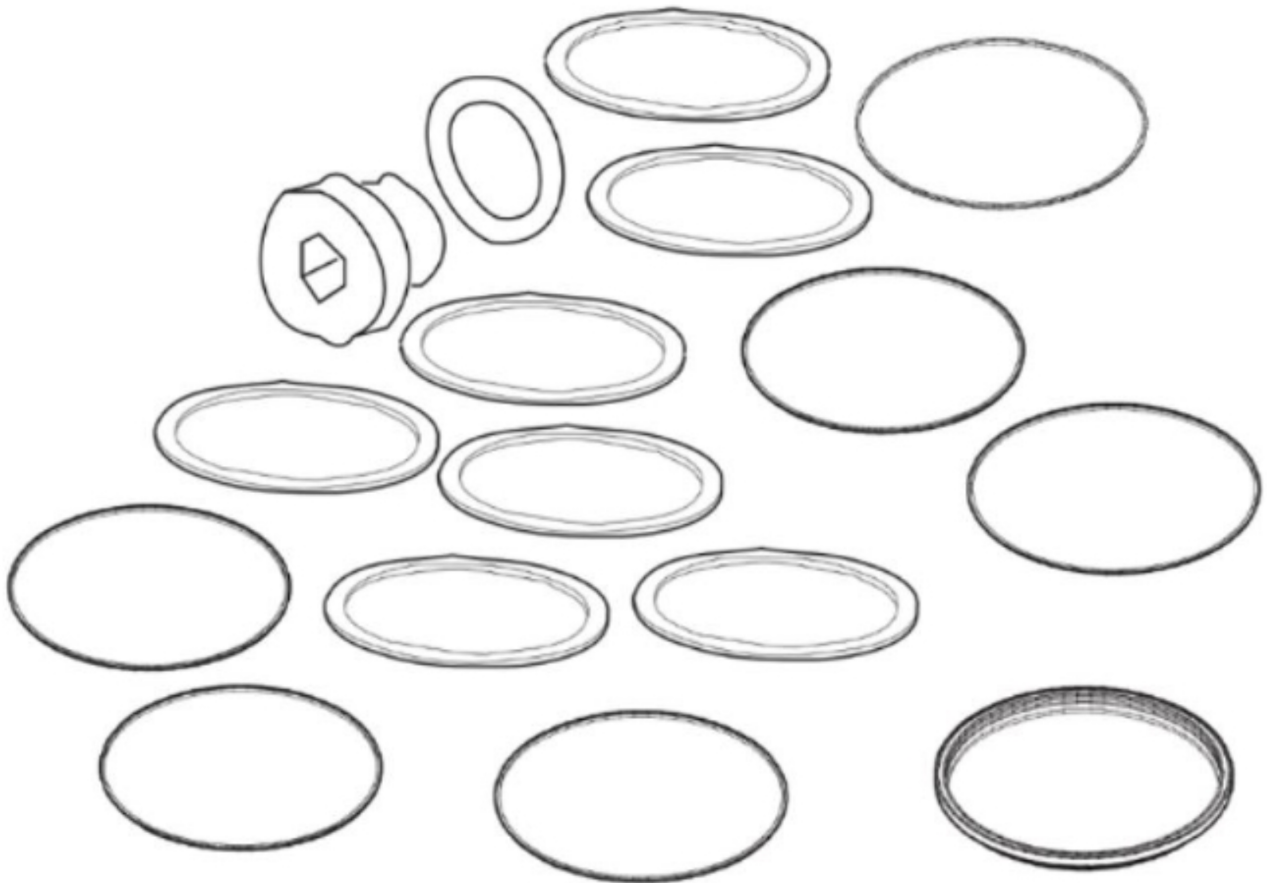
Environmental Product Compliance - REACH Declaration ..... 29

Service, repair and wear parts Kits Label kit



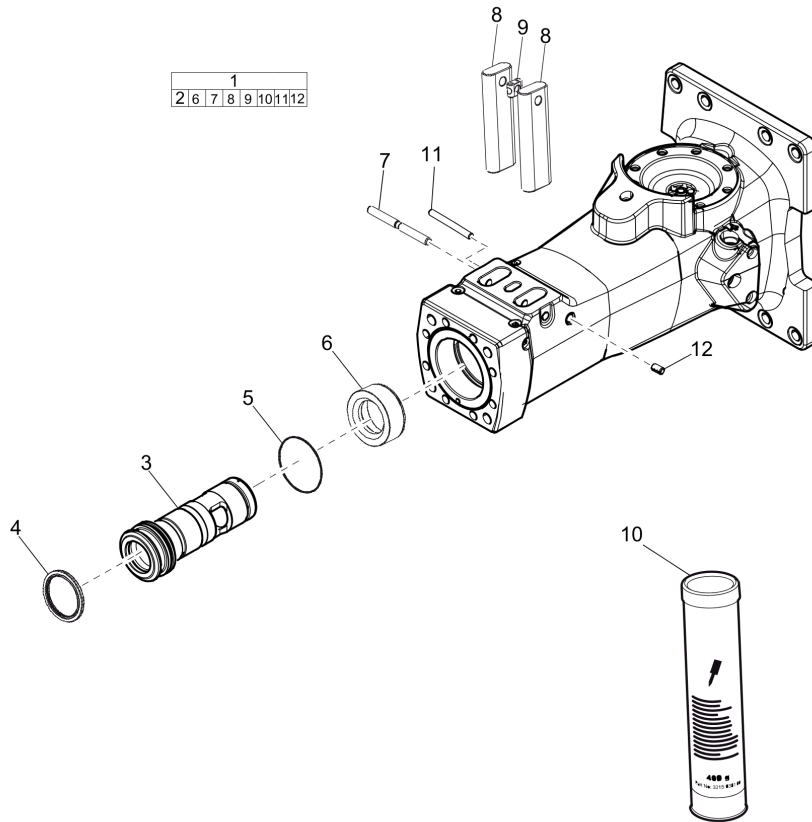
Item	Part No.	Name	Qty	L
1	3382070113	Label kit	1	
2	-	Product label	2	
3	3115263000	SAFETY LABEL	1	
4	3115262900	SAFETY LABEL	1	
5	-	Noise level label	1	
6	3315254600	AEM sign	1	

Service, repair and wear parts Kits Seal kit



Item	Part No.	Name	Qty	L
1	3382070103	Seal kit	1	
5	0663714700	O-RING	4	
21	3115329002	SEAL RING	1	
22	0663212000	O-RING	1	
25	0663211400	O-RING	1	
28,38	0663212141	O-RING	1	
29,37	0663210421	O-RING	1	
30	0661200401	BACK-UP RING	1	
32	0664000004	SEAL RING	2	
34	0663210217	O-RING	2	
42	3315336700	PLUG	1	
44	0663211491	O-ring, 47.29 x 2.62 mm Polyuretán, 1.86 x 0.10 in.	1	
45	0663990026	Seal ring, 51.3 x 54.3 x 3 mm, 2.02 x 2.14 x 0.12 in.	2	
47	0665090014	SEAL RING	4	
48	0665909964	Wiper	1	
49	0665070147	Piston rod seal	1	
51	0663990032	Seal ring	9	
53	0665070148	Piston rod seal	1	
54	0663210417	O-ring, 145.72 x 2.62 mm , 5.7 x 0.10 in. (70 shore)	1	
58	3315280800	VALVE RUBBER	1	
59	0663210658	O-RING	1	
60	0663212007	O-ring	1	

Service, repair and wear parts Kits Lower hammer part kit





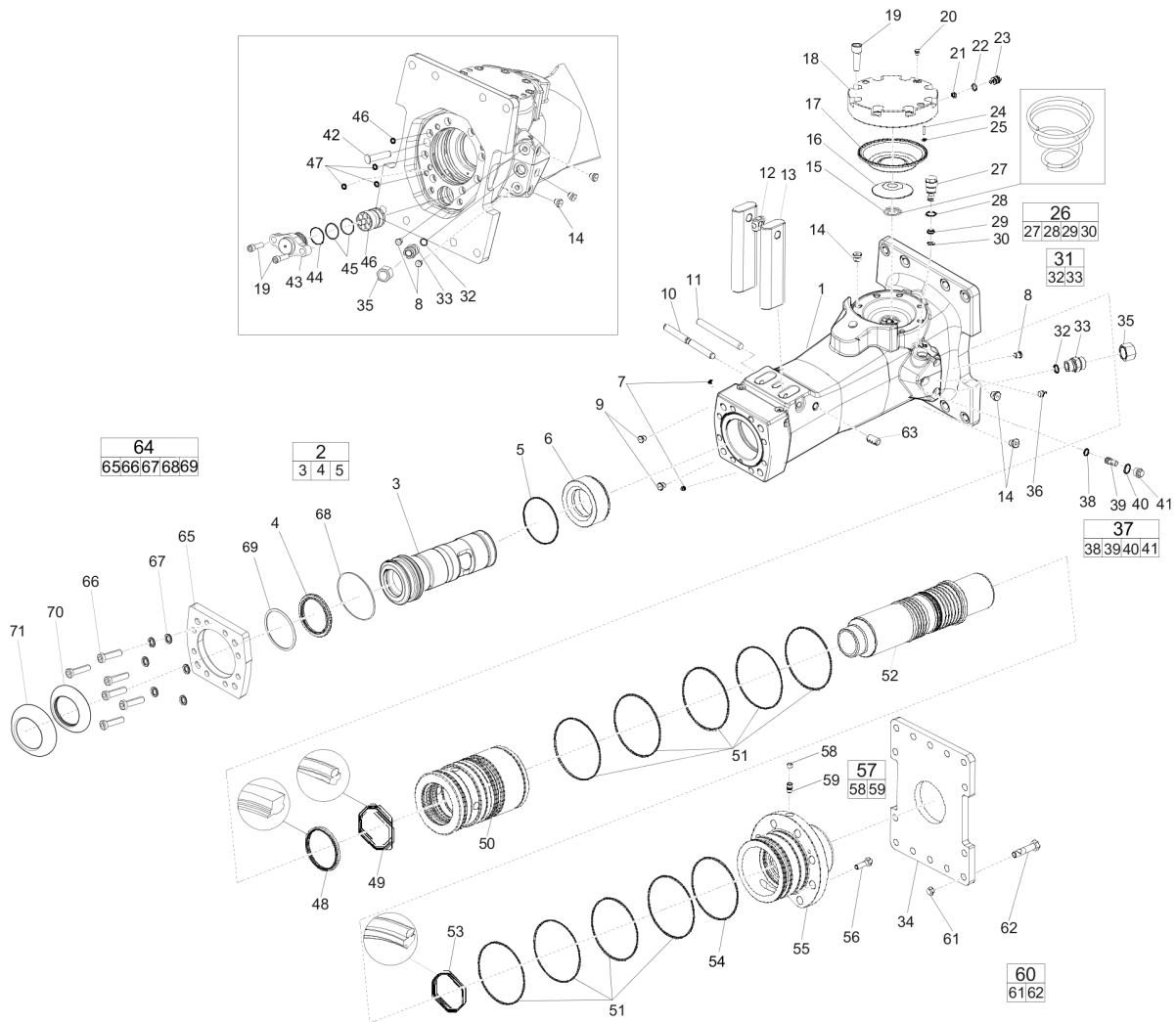
Item	Part No.	Name	Qty	L
1	3382070109	Lower hammer part kit	1	
2	3315435060	Bushing standard, complete	1	
3	-	Bushing, Ø129 mm, Ø5.08 in.	1	
4	3315353600	Scraper ring	1	
5	0663714700	O-RING	4	
6	3315312300	Stop ring	1	
7	3315155810	Lock pin	1	
8	3315155710	Tool retainer	2	
9	3315141900	LOCK BUFFER	1	
10	-	Chisel paste cartridge, 400 g (0.88 lb)	1	
11	3315434900	Bushing pin	1	
12	0108110322	Spring pin	1	

Service, repair and wear parts Kits Accumulator repair kit

NO EXPLODED VIEW  
AVAILABLE  
FOR THIS BOM

Item	Part No.	Name	Qty	L
1	3315303190	Accumulator repair kit	1	
-	3315303500	COIL SPRING	1	
-	3315303201	Diaphragm support	1	
-	3315416300	Diaphragm	1	
-	0211196544	Hexagon socket screw M16 x 50 mm Screw with extra high fatigue strength.	8	
-	0686371805	PLUG	1	
-	3115329002	SEAL RING	1	
-	0663212000	O-RING	1	
-	3315366000	VALVE	1	
-	0101414000	PIN	1	
-	0663211400	O-RING	1	

Mechanical Spare part list



Refer to the DocMine web page for most up-to-date information. The printed information might be outdated.  
Thu Apr 07 05:24:22 UTC 2022

Item	Part No.	Name	Qty	L
1	-	Breaker body	1	
2	3315435060	Bushing standard, complete	1	A
3	-	Bushing, Ø129 mm, Ø5.08 in.	1	
4	3315353600	Scraper ring	1	
5	0663714700	O-RING	1	
6	3315312300	Stop ring	1	
7	-	PLUG	2	
8	0686644207	PLUG	3	B
9	3315395200	Water Nossle	4	
10	3315155810	Lock pin	1	
11	3315434900	Bushing pin	1	
12	3315141900	LOCK BUFFER	1	
13	3315155710	Tool retainer	2	
14	0686371801	PLUG	6	C
15	3315303500	COIL SPRING	1	
16	3315303201	Diaphragm support	1	
17	3315416300	Diaphragm	1	
18	3315303100	Diaphragm cover	1	
19	0211196544	Hexagon socket screw M16 x 50 mm Screw with extra high fatigue strength.	10	D
20	0686371805	PLUG	1	E
21	3115329002	SEAL RING	1	
22	0663212000	O-RING	1	
23	3315366000	VALVE	1	
24	0101414000	PIN	1	
25	0663211400	O-RING	1	
26	3315365800	PRESS.REL.VALVE	1	F
27	-	Pressure relief valve	1	
28	0663212141	O-RING	1	
29	0663210421	O-RING	1	
30	0661200401	BACK-UP RING	1	
31	0580001845	Nipple, complete	1	G
32	0664000004	SEAL RING	1	
33	-	NIPPLE	1	
34	3315307700	Base plate	1	
35	0570700010	CAP	2	
36	3363070299	Grease nipple, ISO 7-R 1/4	1	
37	3315369687	Restrictor standard, complete	1	

Refer to the DocMine web page for most up-to-date information. The printed information might be outdated.

Thu Apr 07 05:24:22 UTC 2022

Item	Part No.	Name	Qty	L
38	0663210421	O-RING	1	
39	-	Restrictor standard, Ø 8.7 mm , Ø 0.34 in.	1	
40	0663212141	O-RING	1	
41	3315369200	Restrictor plug	1	
42	3315336700	PLUG	1	
43	3315362800	Valve cover	1	
44	0663211491	O-ring, 47.29 x 2.62 mm Polyuretan, 1.86 x 0.10 in.	1	
45	0663990026	Seal ring, 51.3 x 54.3 x 3 mm, 2.02 x 2.14 x 0.12 in.	2	
46	3315312100	Control valve	1	
47	0665090014	SEAL RING	4	
48	0665909964	Wiper	1	
49	0665070147	Piston rod seal	1	
50	3315312000	Liner	1	
51	0663990032	Seal ring	9	
52	3315311910	Piston	1	
53	0665070148	Piston rod seal	1	
54	0663210417	O-ring, 145.72 x 2.62 mm , 5.7 x 0.10 in. (70 shore)	1	
55	3315312600	Back head	1	
56	0147155503	SCREW, HEX HEAD	8	
57	3315244881	CHECK VALVE	1	
58	3315280800	VALVE RUBBER	1	
59	-	CHECK VALVE	1	
60	3315323890	Set of eight screws, complete	1	
61	-	Nut, M20	8	
62	-	Screw, M20 x 90 mm	8	
63	0108110322	Spring pin	1	
64	3382070112	Wear plate	1	
65		Wear plate	1	
66	3315431101	Hexagon socket screw	8	
67	0333520027	Lock washer	8	
68	0663210658	O-RING	1	
69	0663212007	O-ring	1	
70	3315239710	Dust cover	1	
71	3315264200	Front shield		

Comments for Page: Spare part list

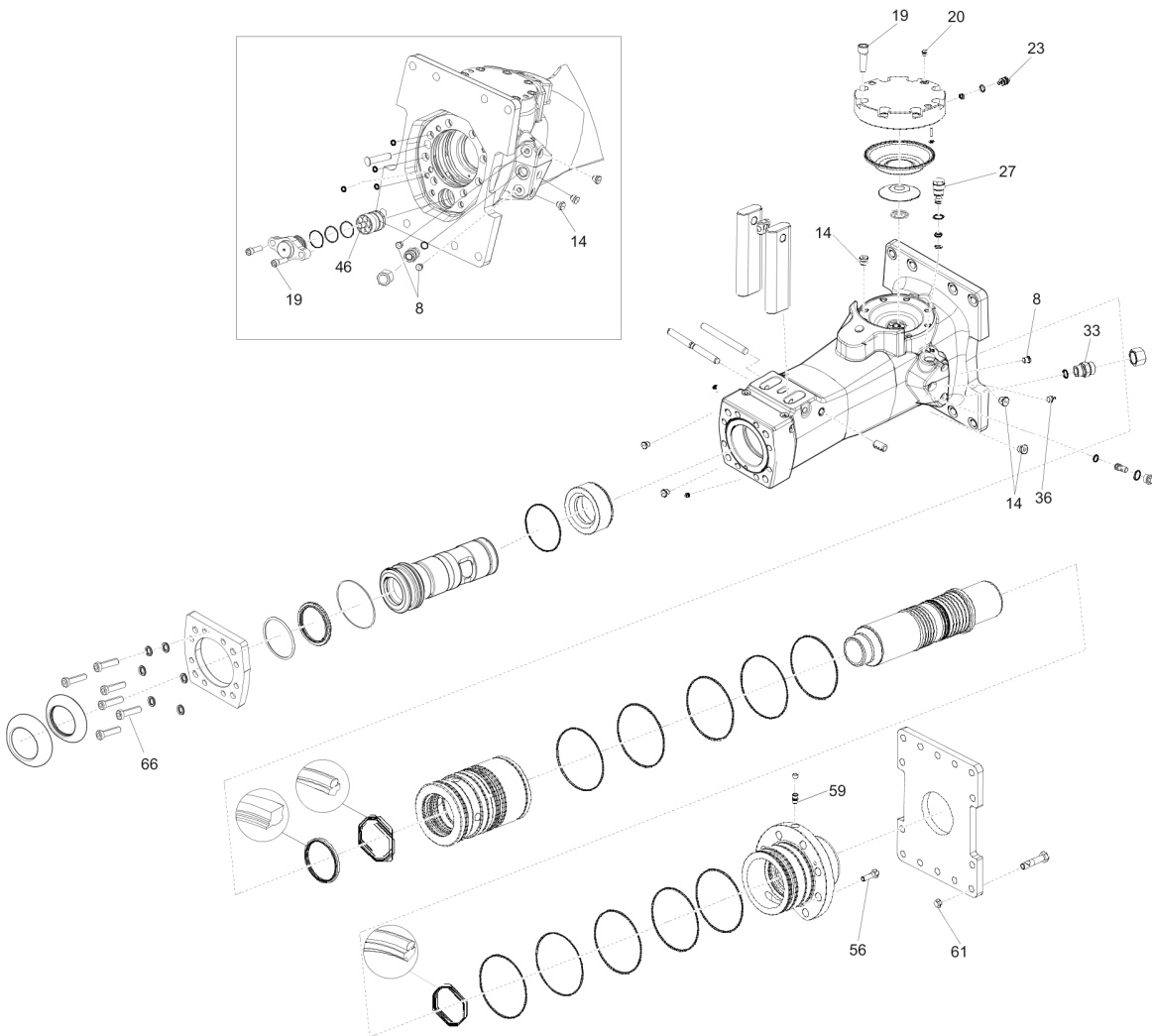
(L)OCAL REMARKS

Refer to the DocMine web page for most up-to-date information. The printed information might be outdated.

Thu Apr 07 05:24:22 UTC 2022

- A | For oversize bushings, see section "Bushing oversize, complete".
- B | VSTI G1/4 - ED
- C | VSTI G3/8 - ED
- D | Screw with extra high fatigue strength.
- E | VSTI R 1/8 - ED
- F | CAS No. see chapter "Environmental Product Compliance - REACH Declaration"
- G | There are two "Nipple, complete" on the machine.

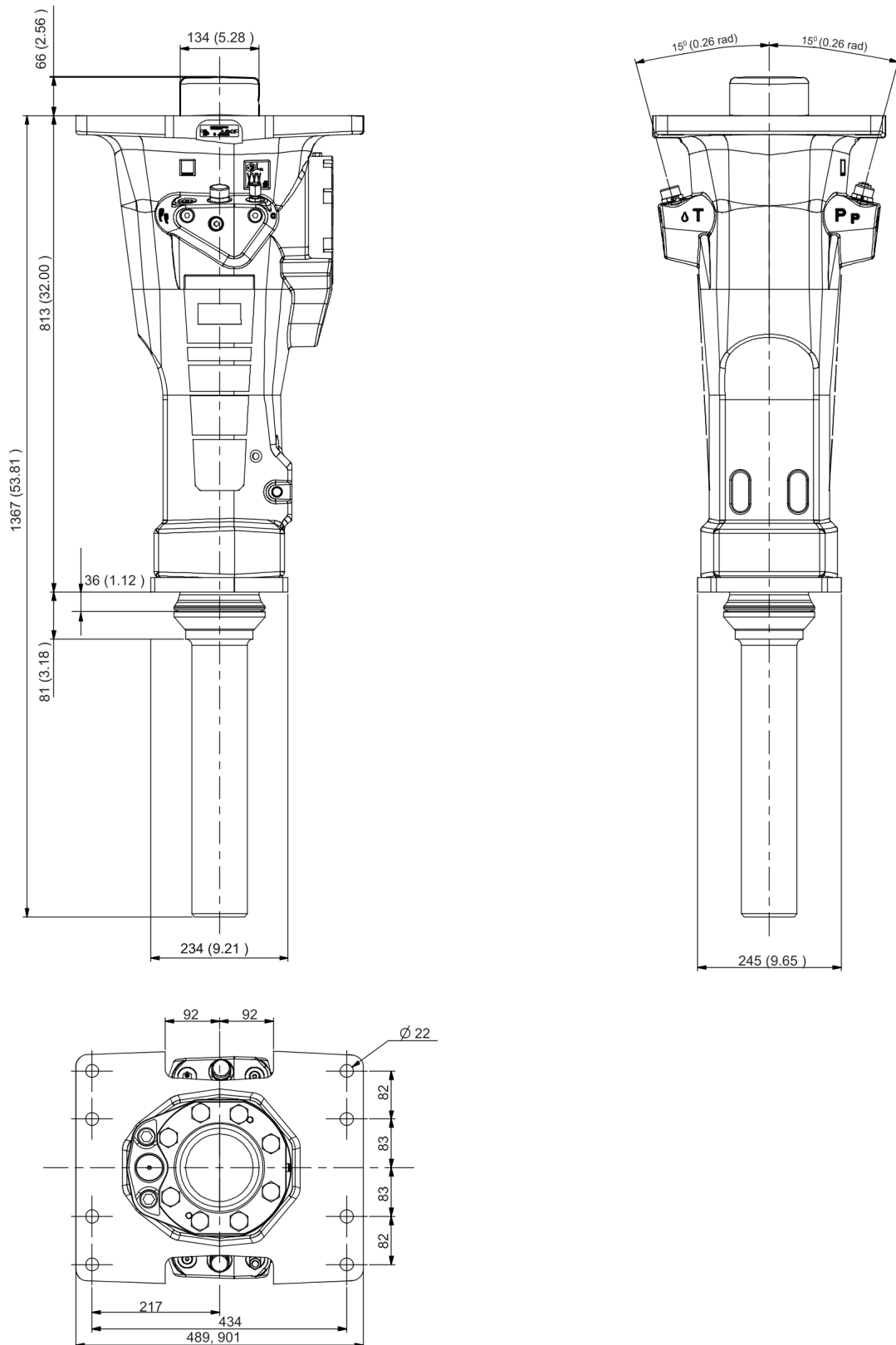
Mechanical Tightening torque





Item	Part No.	Name	Qty	L
8	-	Plug - 30 Nm	-	A
14	-	Plug - 80 Nm	-	B
19	-	Hexagon socket screw - 300 Nm	-	C
20	-	Plug - 20 Nm	-	
23	-	Charge valve - 27 Nm	-	
27	-	Pressure relief valve - 80 Nm	-	
33	-	Nipple - 120 Nm	-	
36	-	Grease nipple - 30 Nm	-	
46	-	Control valve - 80 Nm	-	
56	-	Hexagon head screw - 315 Nm	-	J
59	-	Check valve - 30 Nm	-	K
61	-	Nut - 400 Nm	-	L
66	-	Hexagon socket screw - 240 Nm	-	

Mechanical Dimensions (mm)

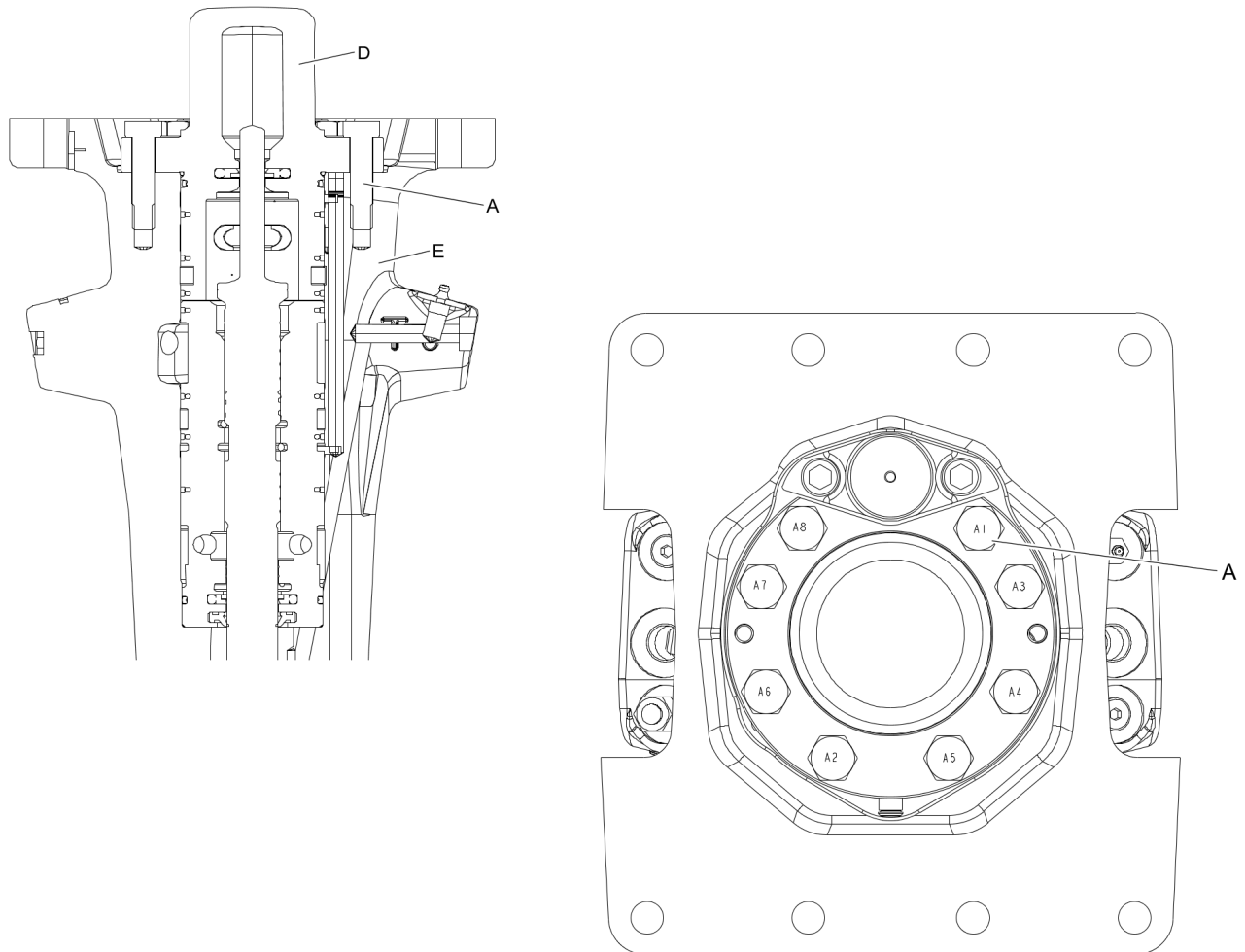


Refer to the DocMine web page for most up-to-date information. The printed information might be outdated.

Thu Apr 07 05:24:23 UTC 2022

This page intentionally left blank

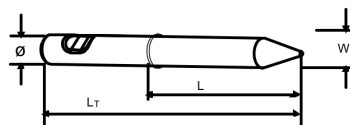
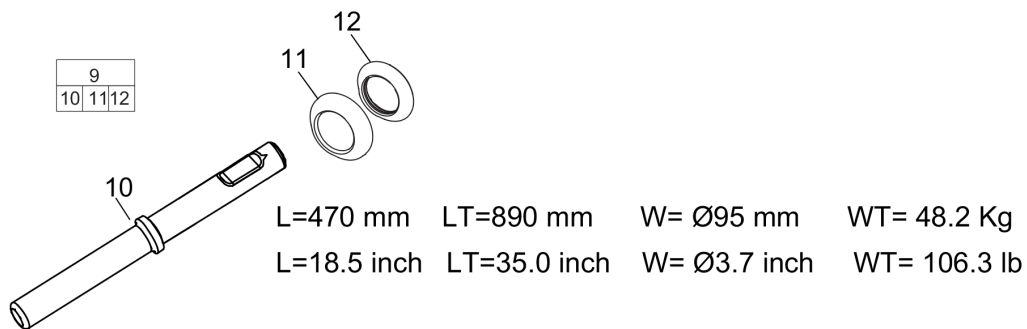
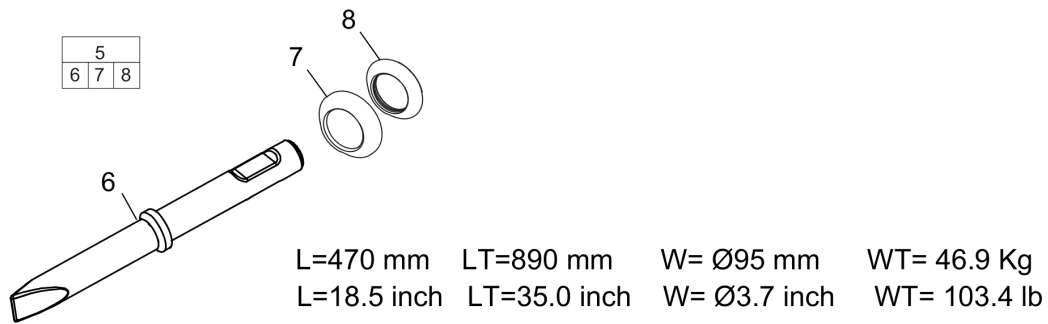
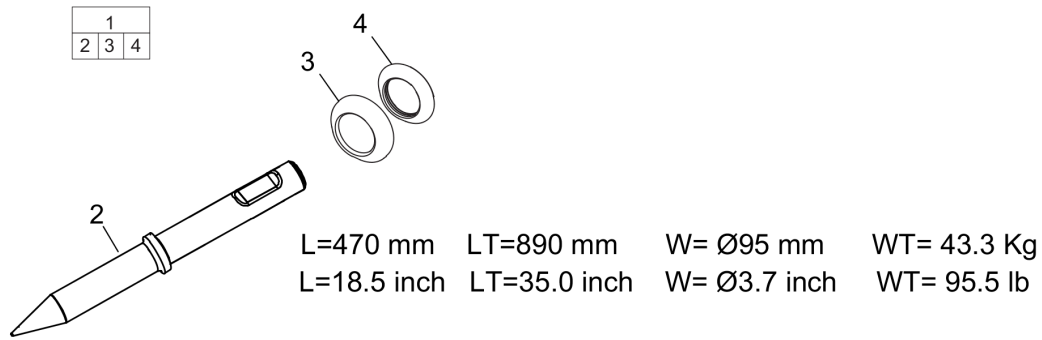
## Mechanical Assembly instruction



1. Press the back head (D) down on the hammer body(E).
2. Grease the screws (A) with Molykote® 1000 (Molykote is a registered trademark of Dow Corning Corporation), and manually fit them on the back head (D)
3. Torque the screws (A) in the order from A1 to A8.

This page intentionally left blank

Option and accessories Working Tools ClassicLine

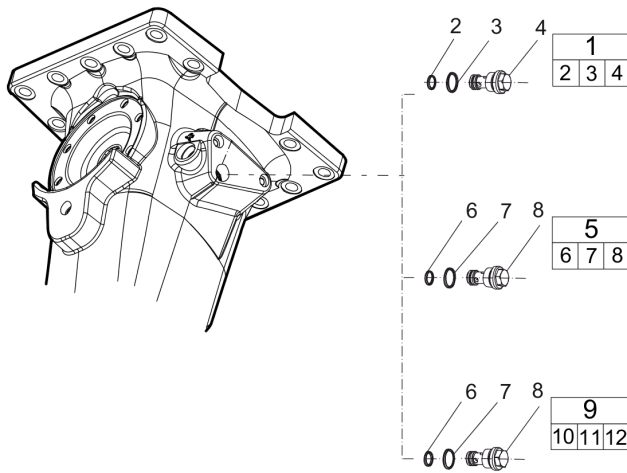


Refer to the DocMine web page for most up-to-date information. The printed information might be outdated.

Thu Apr 07 05:24:26 UTC 2022

Item	Part No.	Name	Qty	L
1	3083342707	Moil point Kit Tunnel	1	
2	3083340603	Moil point	1	
3	3315264200	Front shield	1	
4	3315239710	Dust cover	1	
5	3083342708	Chisel cross Kit Tunnel	1	
6	3083340604	Chisel (cross)	1	
7	3315264200	Front shield	1	
8	3315239710	Dust cover	1	
9	3083342709	Blunt tool Kit Tunnel	1	
10	3083340602	Blunt tool	1	
11	3315264200	Front shield	1	
12	3315239710	Dust cover	1	

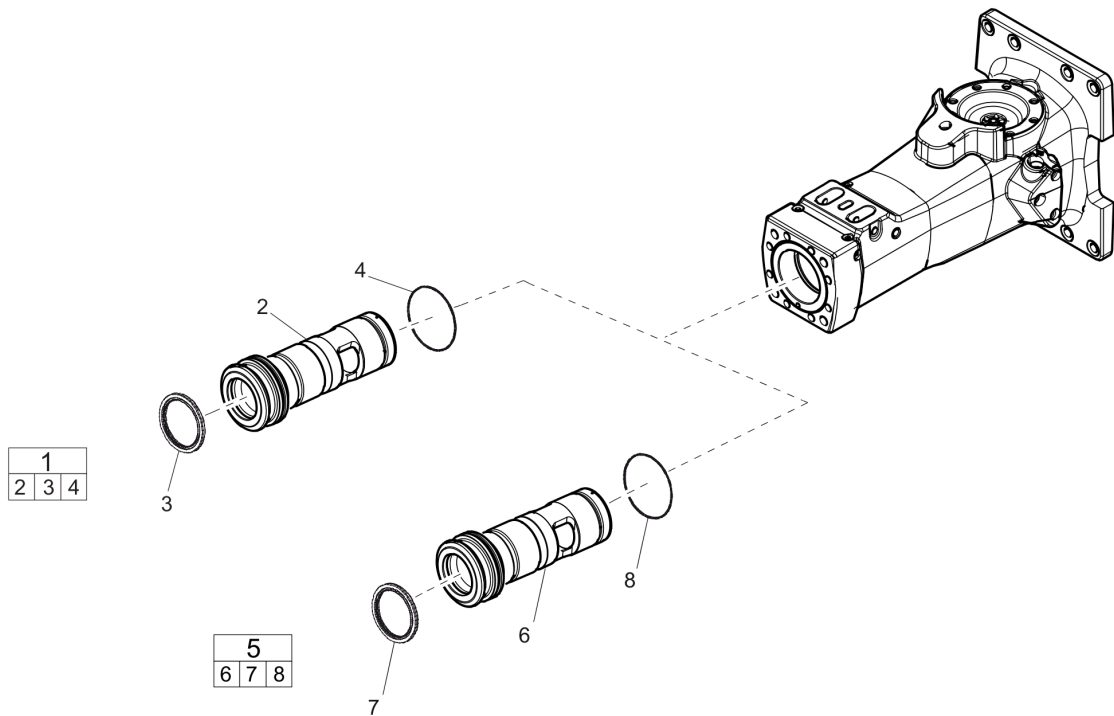
Option and accessories Optional parts - Restrictor, complete





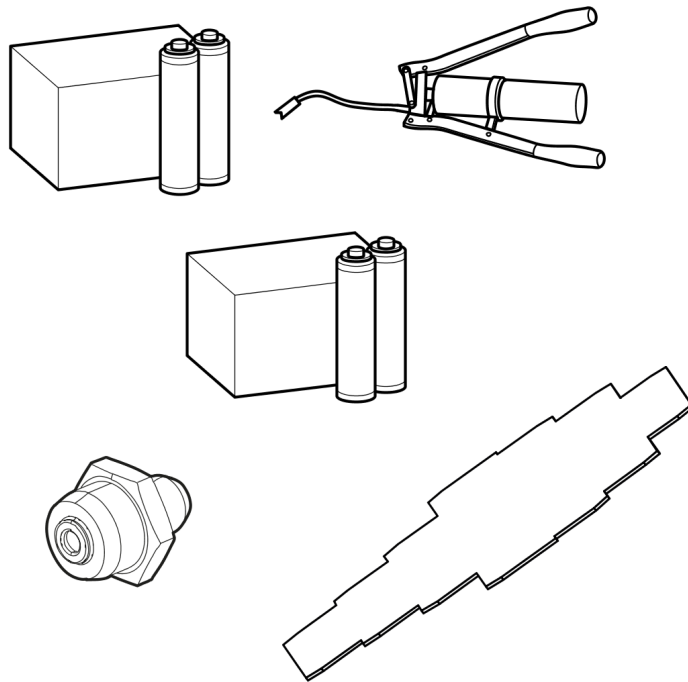
Item	Part No.	Name	Qty	L
1	3315369635	Restrictor, complete	1	
2	0663210421	O-RING	1	
3	0663212141	O-RING	1	
4	-	Restrictor, Ø6.0 mm, Ø0.24 in.	1	
5	3315369645	Restrictor, complete	1	
6	0663210421	O-RING	1	
7	0663212141	O-RING	1	
8	-	Restrictor, Ø6.7 mm, Ø0.26 in.	1	
9	3315369653	Restrictor, complete	1	
10	0663210421	O-RING	1	
11	0663212141	O-RING	1	
12	-	Restrictor, Ø6.7 mm, Ø0.26 in.	1	

Option and accessories Optional parts - Bushing oversize, complete



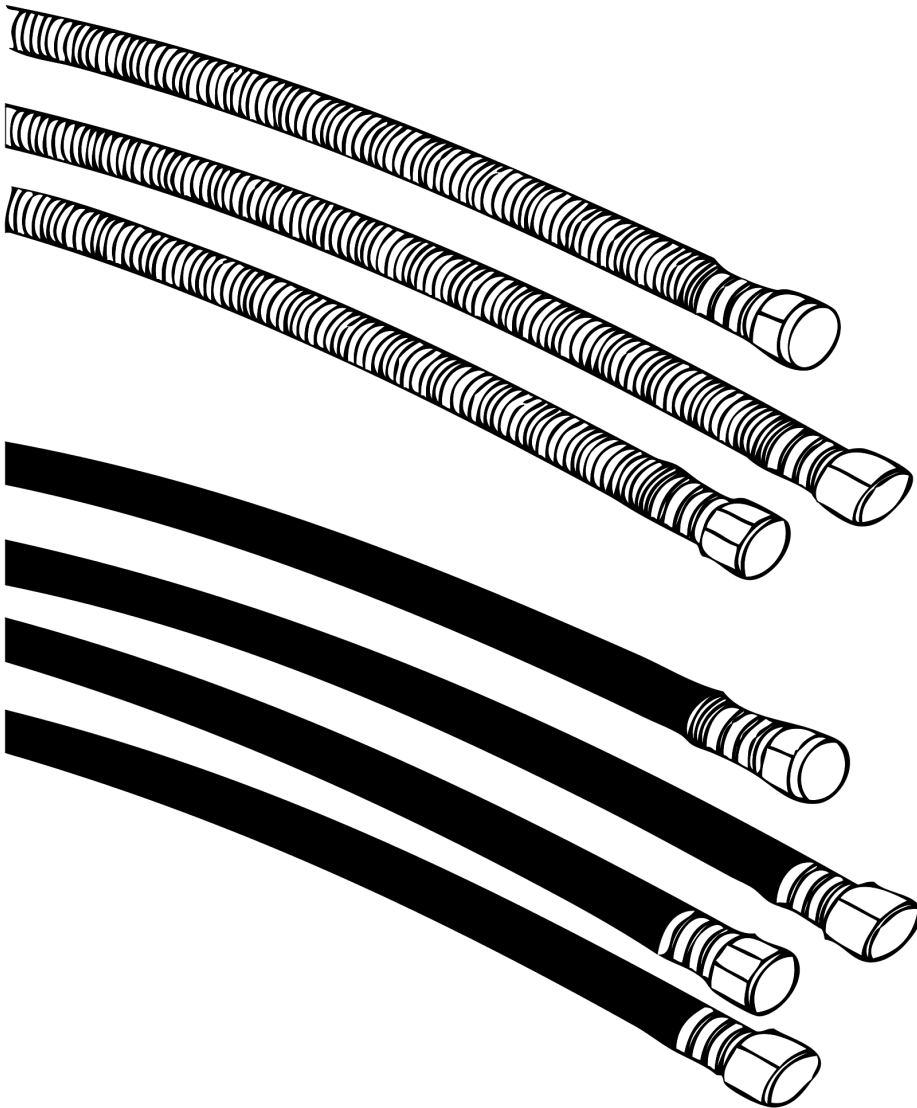
Item	Part No.	Name	Qty	L
1	3315435061	Bushing press fit oversize, complete	1	
2	-	Bushing, Ø130.5 mm, Ø5.11 in.	1	
3	3315353600	Scraper ring	1	
4	0663714700	O-RING	1	
5	3315435062	Bushing press fit oversize, complete	1	
6	-	Bushing, Ø132 mm, Ø5.2 in.	1	
7	3315353600	Scraper ring	1	
8	0663714700	O-RING	1	

Option and accessories Optional equipment



Item	Part No.	Name	Qty	L
-	3315303891	ContiLube II Micro	1	
-	0909107100	LUBRICAT.GUN	1	
-	3363122354	BIO Chisel paste, 20 x 150 g	1	
-	3363122355	BIO Chisel paste cartridge for grease gun, 12 x 400 g (0.88 lbs)	1	
-	3363122357	BIO Chisel paste container (15 kg)	1	
-	3363122358	BIO Chisel paste container (45 kg)	1	
-	3360920415	Filling device for accumulator	1	
-	3363094459	Nipple, for charging the accumulator	1	
-	3361329803	Filling hose for charging the accumulator	1	
-	3315353100	Bushing wear controller	1	

Option and accessories Hydraulic hoses



Item	Part No.	Name	Qty	L
-	3360995717	Hose, both ends 18 L(M26 x 1.5) length 1500 mm	2	
-	3362235159	Hose, both ends 18 L(M26 x 1.5) length 2000 mm	2	
-	3363083313	Hose, both ends 18 L(M26 x 1.5) length 2400 mm	2	
-	3363098019	Additional fitting kit( needed to fit two hoses to the hydraulic breaker)	1	

Annex Environmental Product Compliance - REACH Declaration

**NO EXPLODED VIEW  
AVAILABLE  
FOR THIS BOM**



Item	Part No.	Name	Qty	L
26	-	Pressure relief valve, complete, Part No. 3315365800 - CAS No. 7439-92-1	-	

Comments for Page: Environmental Product Compliance - REACH Declaration

EU REACH Candidate List substances present in product listed above.





Any unauthorized use or copying of the contents or any part thereof is prohibited.  
This applies in particular to trademarks, model denominations, part numbers, and drawings.