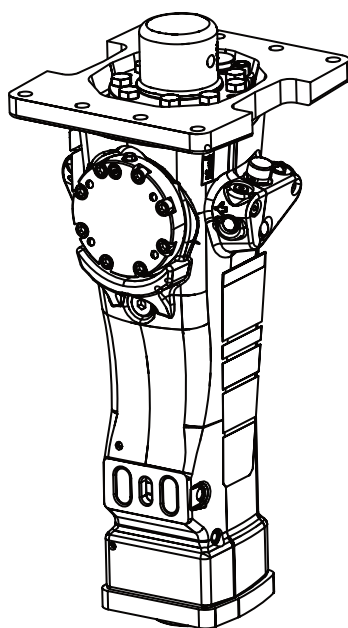


SB 202 Tunnel

Spare parts list Hydraulic breakers

SB 202 Tunnel s/n BES127481 –



General information

This spare parts list applies to the following:

Part number	Description
8460030053	SB 202 Tunnel

Use only authorized parts. Any damage or malfunction caused by the use of unauthorized parts is not covered by Warranty or Product Liability. Any unauthorized use or copying of the contents or any part thereof is prohibited. This applies in particular to trademarks, model denominations, part numbers, and drawings.

Instructions for use

This spare parts list contains no safety regulations and is merely intended to assist in the ordering of spare parts.

For information about operating, servicing, or repairing, the relevant Safety and operating instructions must be consulted at all costs.

Please observe the safety instructions listed in the relevant Safety and operating instructions!

Service, repair and wear part kits

Label kit 1
Seal kit 3
Lower hammer part kit 5
Accumulator repair kit 7

Mechanical

Spare part list 9
Tightening torque 13
Dimensions mm (in.) 15
Assembly instruction 16

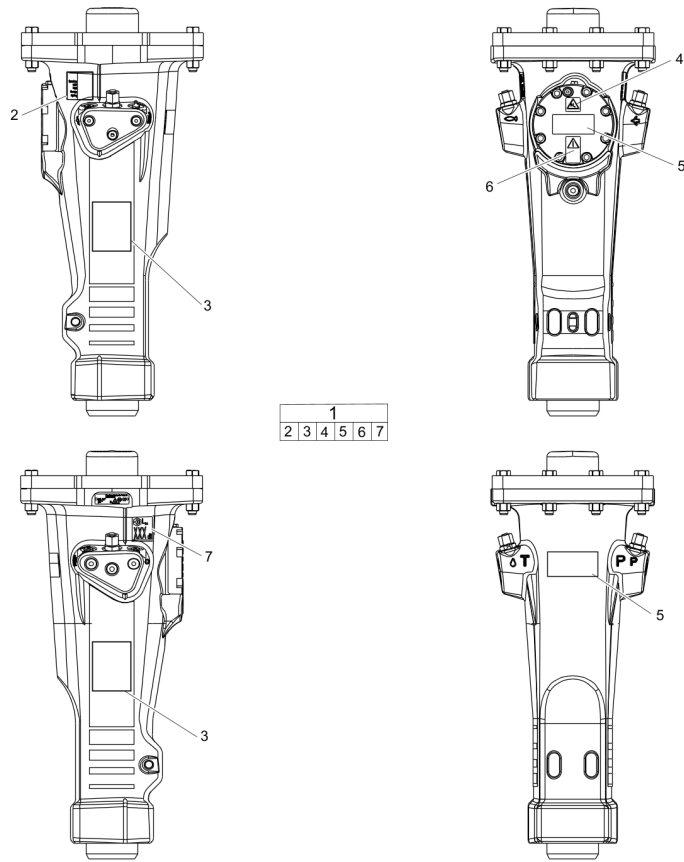
Options / accessories

Bushing oversize, complete 18
Restrictor, complete 21
Optional equipment 23
Hydraulic hoses 25
Working Tools ClassicLine 27

Annex

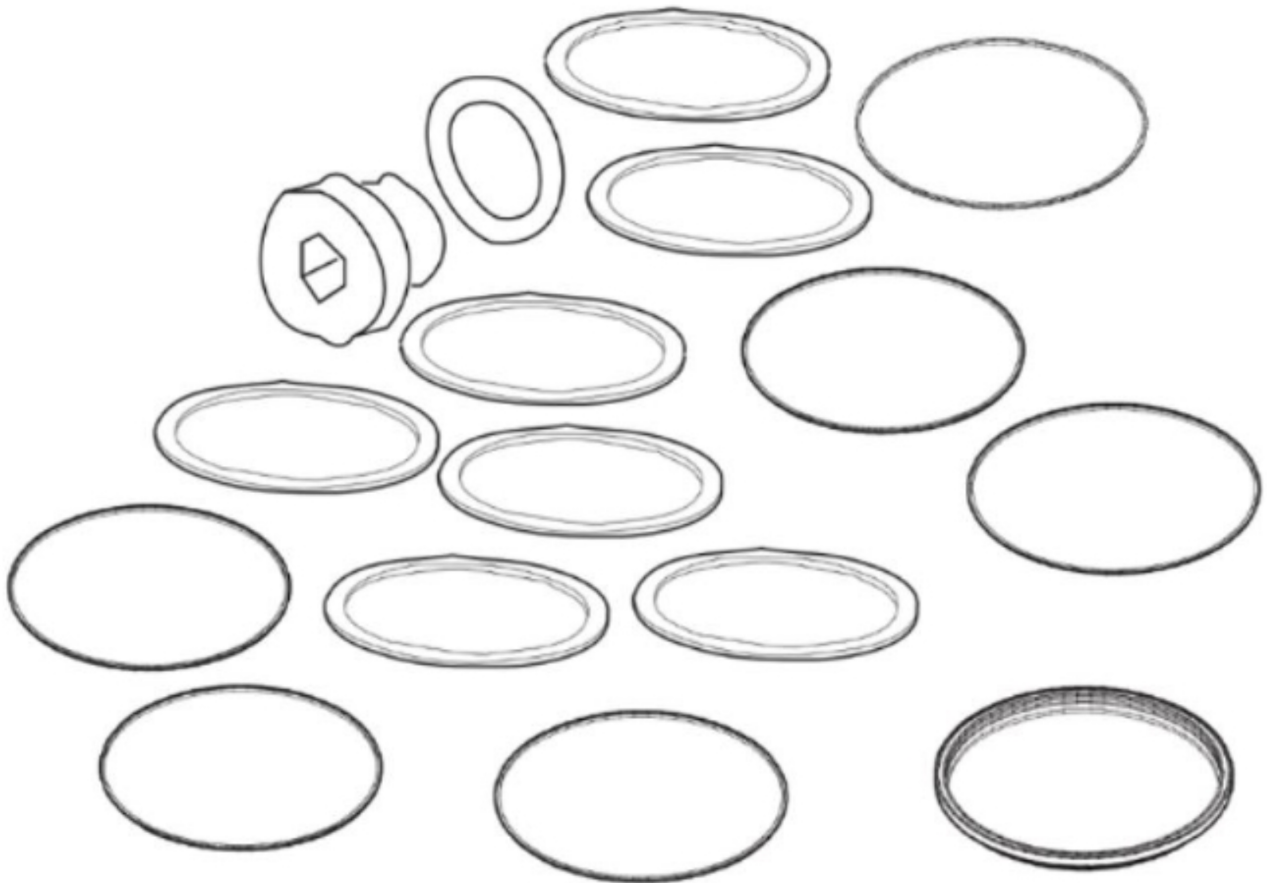
Environmental Product Compliance - REACH Declaration 29

Service, repair and wear part kits Label kit



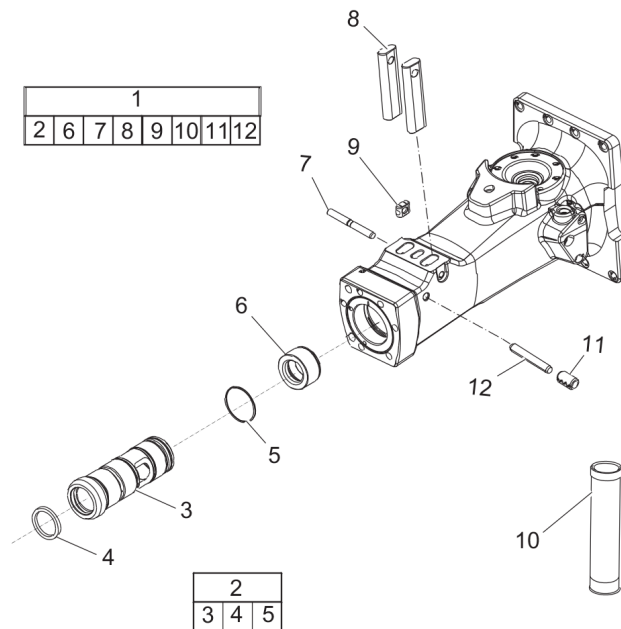
Item	Part No.	Name	Qty	L
1	3315294390	LABEL KIT	1	
2	-	AEM SIGN	1	
3	-	PRODUCT LABEL	2	
4	-	SAFETY LABEL	1	
5	-	PRODUCT LABEL	2	
6	-	SAFETY LABEL	1	
7	-	SOUND POWER LABEL	1	

Service, repair and wear part kits Seal kit



Item	Part No.	Name	Qty	L
1	3382070079	SEAL KIT	1	
2	0663210494	O-RING	7	
3	0663210498	O-RING	4	
4	0663211400	O-RING	1	
5	0663211444	O-RING	2	
6	0663211516	O-RING, Ø 101.27 x 2.62 mm (Ø 3.99 x 0.10 in.)	1	
7	0663212000	O-RING	1	
8	0663903201	O-RING, Ø 15.6 x 1.78 (Ø 0.61 x 0.07 in.)	2	
9	0663905401	O-RING, Ø 10.82 x 1.78 mm (Ø 0.43 x 0.07 in.) 90 shore	2	
10	0663990036	SEAL RING	2	
11	0664000003	SEAL RING	4	
12	0665070129	PISTON ROD SEAL	1	
13	0665070130	PISTEN ROD SEAL	1	
14	0665090014	SEAL RING	2	
15	0665909956	WIPER	1	
16	3115329002	SEAL RING	2	
17	3315280800	VALVE RUBBER	1	
18	3315336700	PLUG	1	
19	3315356200	SCRAPER RING	1	
20	3360992661	PLASTIC BAG	1	

Service, repair and wear part kits Lower hammer part kit



Item	Part No.	Name	Qty	L
1	3382070194	LOWER HAMMER PART KIT	1	
2	3382070192	BUSHING TUNNEL, complete	1	
3	---	BUSHING	1	
4	3315356200	SCRAPER RING	1	
5	0663210498	O-RING	1	
6	3315277800	STOP RING	1	
7	3315135010	LOCK PIN	1	
8	3315134910	TOOL RETAINER	2	
9	3315141900	LOCK BUFFER	1	
10	-	CHISEL PASTE CARTRIDGE	1	A
11	0108110322	SPRING PIN	1	
12	3315434910	BUSHING PIN	1	

Comments for Page: Lower hammer part kit

(L)OCAL REMARKS

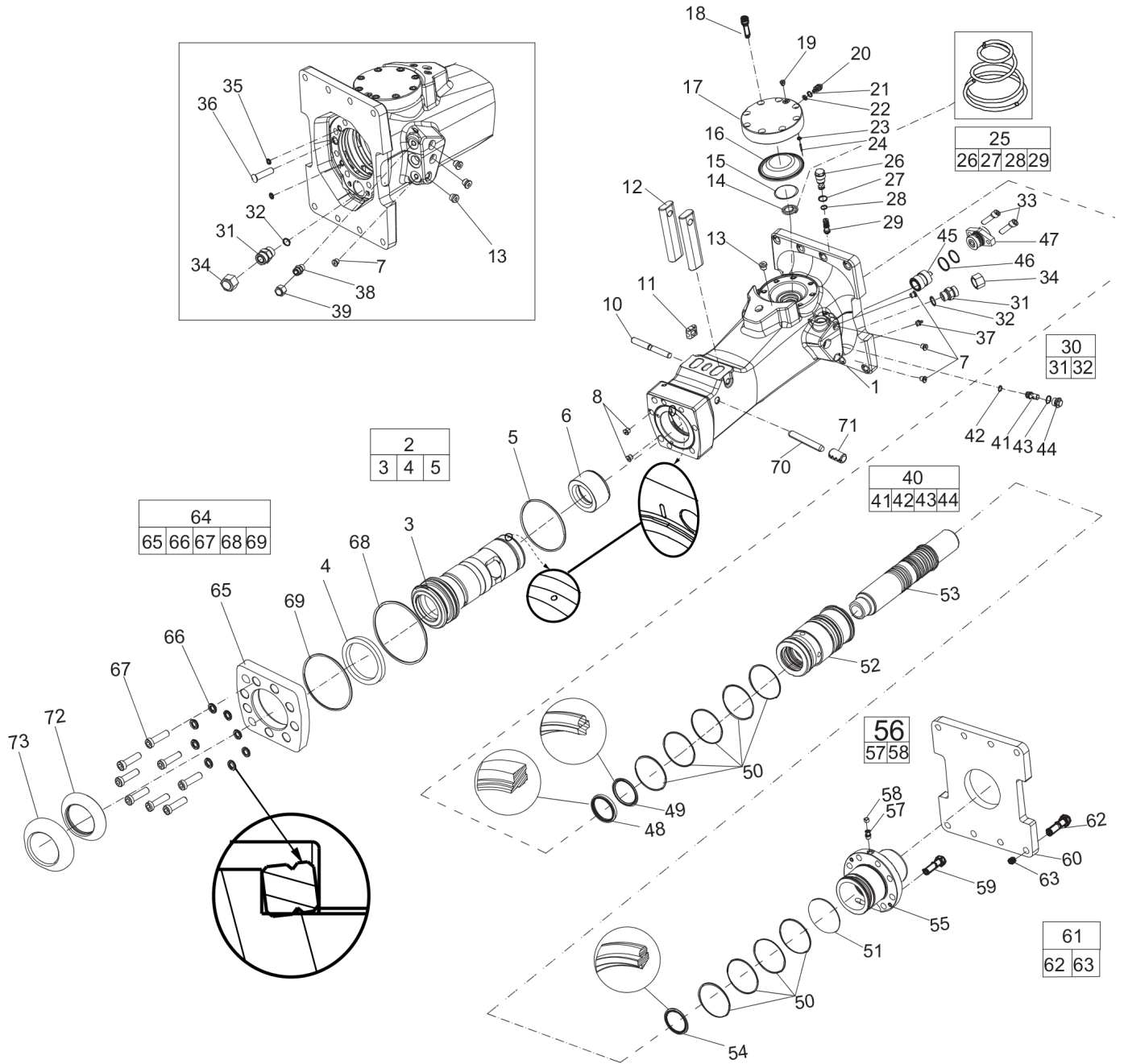
A | 400 g (0.88 lbs)

Service, repair and wear part kits Accumulator repair kit

NO EXPLODED VIEW
AVAILABLE
FOR THIS BOM

Item	Part No.	Name	Qty	L
-	3382070078	ACCUMULATOR REPAIR KIT	1	
-	3315359600	COIL SPRING	1	
-	3315359500	DIAPHRAGM SUPPORT	1	
-	3315289000	DIAPHRAGM	1	
-	0211196534	HEX SOCK. SCREW	8	
-	3115329002	SEAL RING	1	
-	0686371805	PLUG	1	
-	0663212000	O-RING	1	
-	3315366000	VALVE	1	
-	0663211400	O-RING	1	
-	0101414000	PIN	1	

Mechanical Spare part list



Refer to the DocMine web page for most up-to-date information. The printed information might be outdated.
Mon Jul 25 07:40:56 UTC 2022

Item	Part No.	Name	Qty	L
1	-	BREAKER BODY	1	
2	3382070192	BUSHING TUNNEL, complete	1	A
3	-	BUSHING	1	
4	3315356200	SCRAPER RING	1	
5	0663210498	O-RING	1	
6	3315277800	STOP RING	1	
7	0686644207	PLUG	4	B
8	3315395200	WATER NOSSLE	2	
10	3315135010	LOCK PIN	1	
11	3315141900	LOCK BUFFER	1	
12	3315134910	TOOL RETAINER	2	
13	0686371801	PLUG	3	C
14	3315359600	COIL SPRING	1	
15	3315359500	DIAPHRAGM SUPPORT	1	
16	3315289000	DIAPHRAGM	1	
17	3315282400	ACCUMULATOR HOUSE	1	
18	0211196534	HEX SOCK. SCREW	8	D
19	0686371805	PLUG	1	E
20	3315366000	VALVE	1	
21	0663212000	O-RING	1	
22	3115329002	SEAL RING	1	
23	0663211400	O-RING	1	
24	0101414000	PIN	1	
25	3315335000	PRESSURE RELIEF VALVE, complete	1	F
26	-	PRESSURE RELIEF VALVE	1	
27	0663903201	O-RING, Ø 15.6 x 1.78 (Ø 0.61 x 0.07 in.)	1	
28	0663905401	O-RING, Ø 10.82 x 1.78 mm (Ø 0.43 x 0.07 in.) 90 shore	1	
29		VALVE PLUG	1	
30	0580001846	PIPE COUPLING	2	G
31	-	NIPPLE	1	H
32	0664000003	SEAL RING	1	
33	0211110349	SCREW, M14 x 65 mm (2.56 in.)	2	I
34	3361353486	CAP	2	
35	0665090014	SEAL RING	2	
36	3315336700	PLUG	1	
37	3360433774	GREASE NIPPLE	1	
38	3176634800	NIPPLE	1	

Refer to the DocMine web page for most up-to-date information. The printed information might be outdated.

Mon Jul 25 07:40:56 UTC 2022

Item	Part No.	Name	Qty	L
39	3176542900	CAP	1	
40	3315369177	RESTRICTOR, complete	1	J
41	-	RESTRICTOR, Ø 7.7 mm (Ø 0.3 in.)	1	
42	0663210421	O-RING	1	
43	0663212141	O-RING	1	
44	-	RESTRICTOR PLUG	1	
45	3315277600	SLIDE	1	
46	0663211444	O-RING	2	
47	3315352020	VALVE COVER	1	
48	0665909956	WIPER	1	
49	0665070130	PISTEN ROD SEAL	1	
50	0663210494	O-RING	7	
51	0663211516	O-RING, Ø 101.27 x 2.62 mm (Ø 3.99 x 0.10 in.)	1	
52	3315277420	LINER	1	
53	3315441900	PISTON	1	
54	0665070129	PISTON ROD SEAL	1	
55	3315293110	BACK HEAD	1	
56	3315244881	CHECK VALVE, complete	1	
57	-	CHECK VALVE	1	
58	3315280800	VALVE RUBBER	1	
59	0147148103	SCREW, HEX HEAD	8	
60	3315295100	BASE PLATE	1	
61	3315296490	BOLT KIT	1	
62	-	SCREW	8	
63	-	NUT, M16	8	
64	3382070193	WEAR PLATE, complete	1	
65		WEAR PLATE	1	
66	5750533237	LOCK WASHER	8	
67	3315431100	SCREW MC6S M12x55 8.8 G627	8	
68	0663210787	O-RING	1	
69	0663211198	O-RING	1	
70	3315434910	BUSHING PIN	1	
71	0108110322	SPRING PIN	1	
72	3315440402	DUST COVER	1	
73	3315440401	FRONT SHIELD	1	

Comments for Page: Spare part list

(L)OCAL REMARKS

A | For oversize bushings, see section "Bushing oversize, complete".

B | VSTI R 1/4 - ED

C | VSTI R 3/8 - ED

D | Screw with extra high fatigue strength.

E | VSTI R 1/8 - ED

F | CAS No. see chapter "Environmental Product Compliance - REACH Declaration"

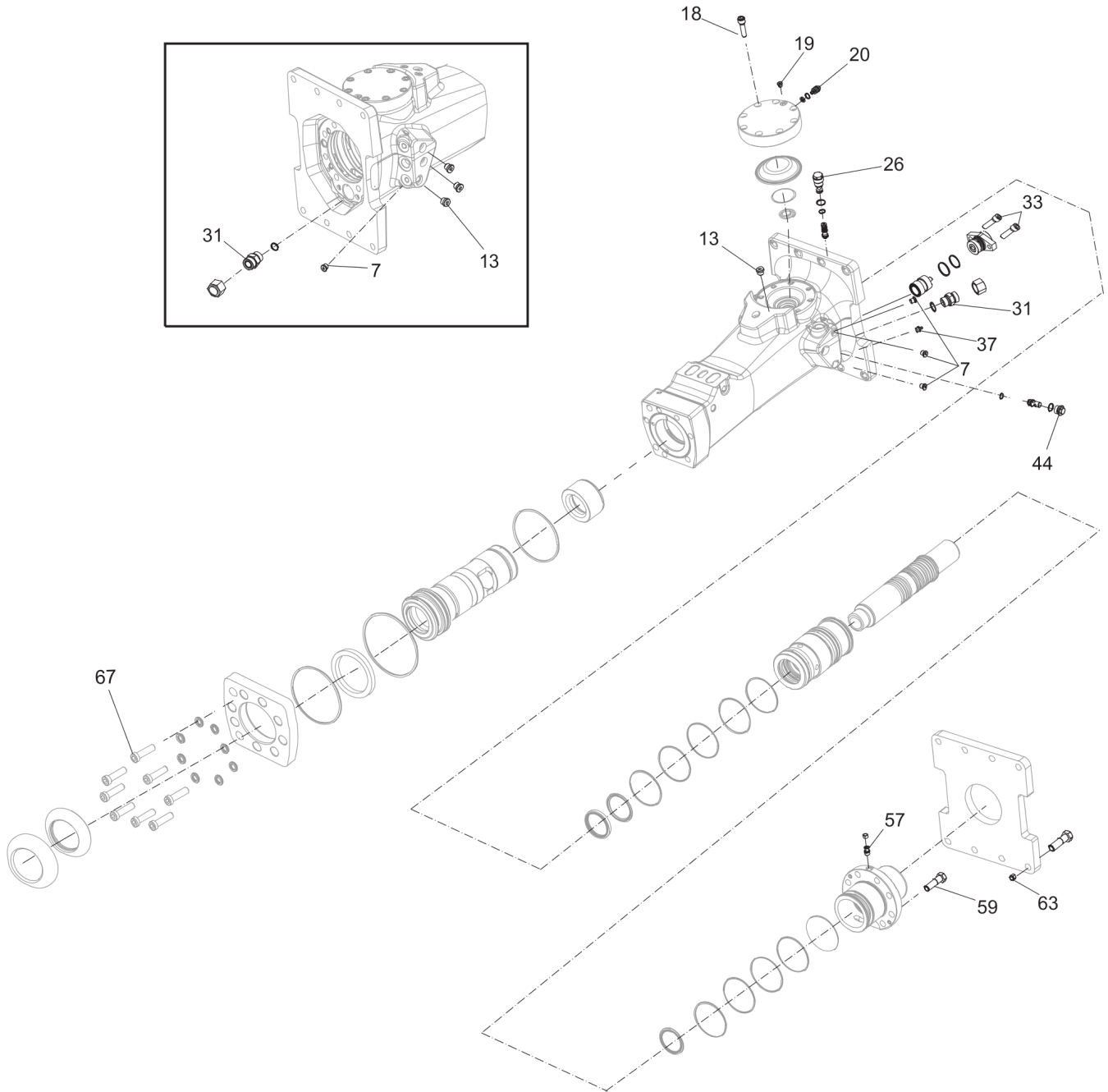
G | There are two "Nipple, complete" on the machine.

H | 1 3/16 - 12UN G 3/4 A

I | Screw with extra high fatigue strength.

J | For more restrictors, see section "Restrictor, complete".

Mechanical Tightening torque



Refer to the DocMine web page for most up-to-date information. The printed information might be outdated.
Mon Jul 25 07:40:58 UTC 2022

Item	Part No.	Name	Qty	L
7	-	PLUG - 30 Nm (22 ft lbf)	-	A
13	-	HEXAGON SOCKET PLUG - 80 Nm (59 ft lbf)	-	A
18	-	HEXAGON SOCKET PLUG - 120 Nm (89 ft lbf)	-	B
19	-	PLUG - 20 Nm (15 ft lbf)	-	
20	-	CHARGE VALVE - 27 Nm (20 ft lbf)	-	
26	-	PRESSURE RELIEF VALVE - 60 Nm (44 ft lbf)	-	
31	-	NIPPLE - 120 Nm (89 ft lbf)		
33	-	SCREW M14 x 65 mm (2.56 in.) - 180 Nm (133 ft lbf)	-	
37	-	GREASE NIPPLE - 30 Nm (22 ft lbf)	-	
44	-	RESTRICTOR PLUG - 80 Nm (59 ft lbf)	-	
57	-	CHECK VALVE - 30 Nm (22 ft lbf)	-	A
59	-	HEXAGON HEAD SCREW M16 x 60 mm (2.36 in.) - 180 Nm (133 ft lbf)	-	B
63	-	NUT M 16 - 200 Nm (148 ft lbf)	-	B
67	-	SCREW (M12 x 55) - 240 Nm	-	

Comments for Page: Tightening torque

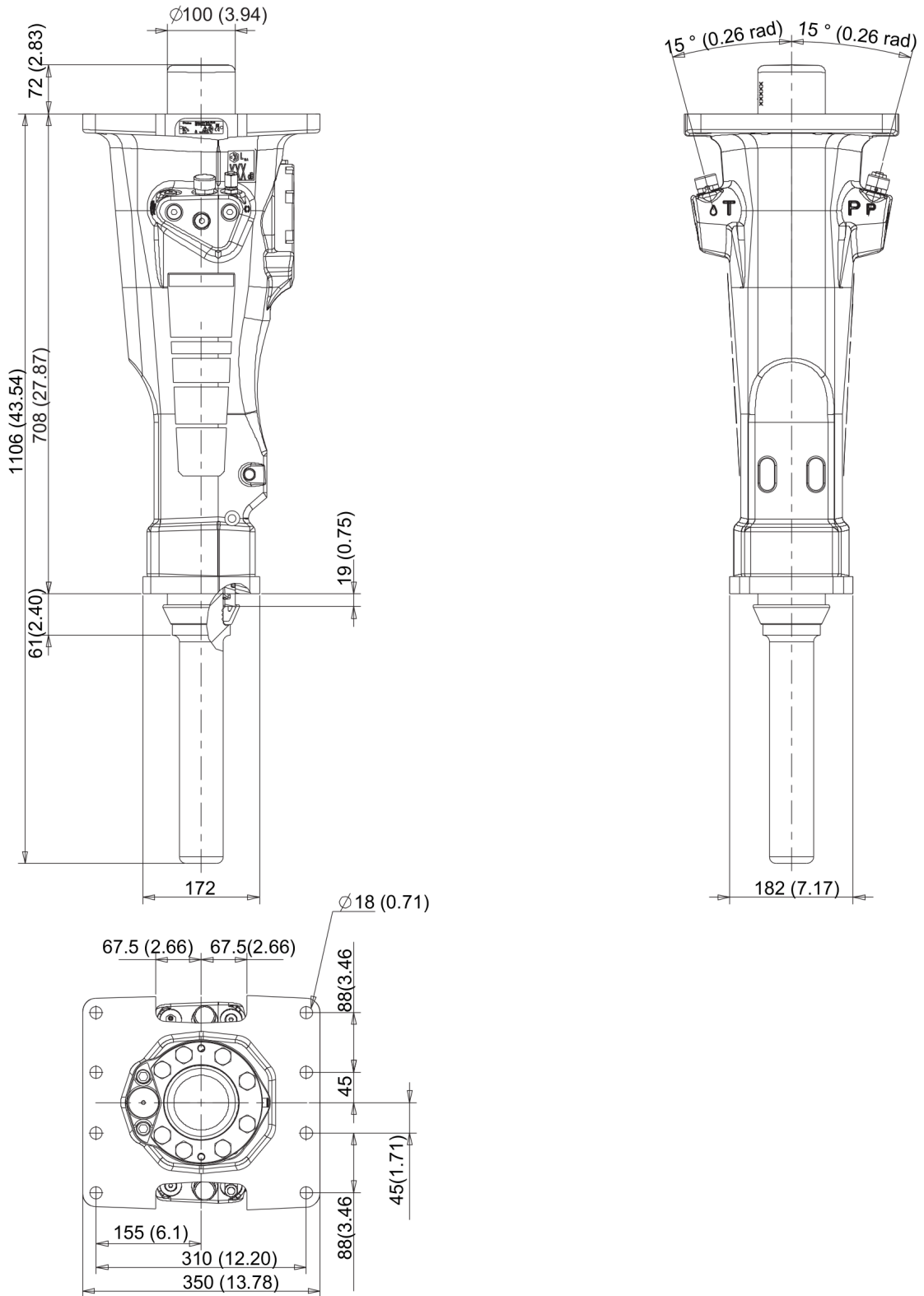
LOCTITE is a registered trademark of Henkel Corporation. 243 is a trademark of Henkel Corporation. Molycote is a registered trademark of Dow Corning Corporation.

(L)OCAL REMARKS

A | LOCTITE® 243™

B | Molycote®

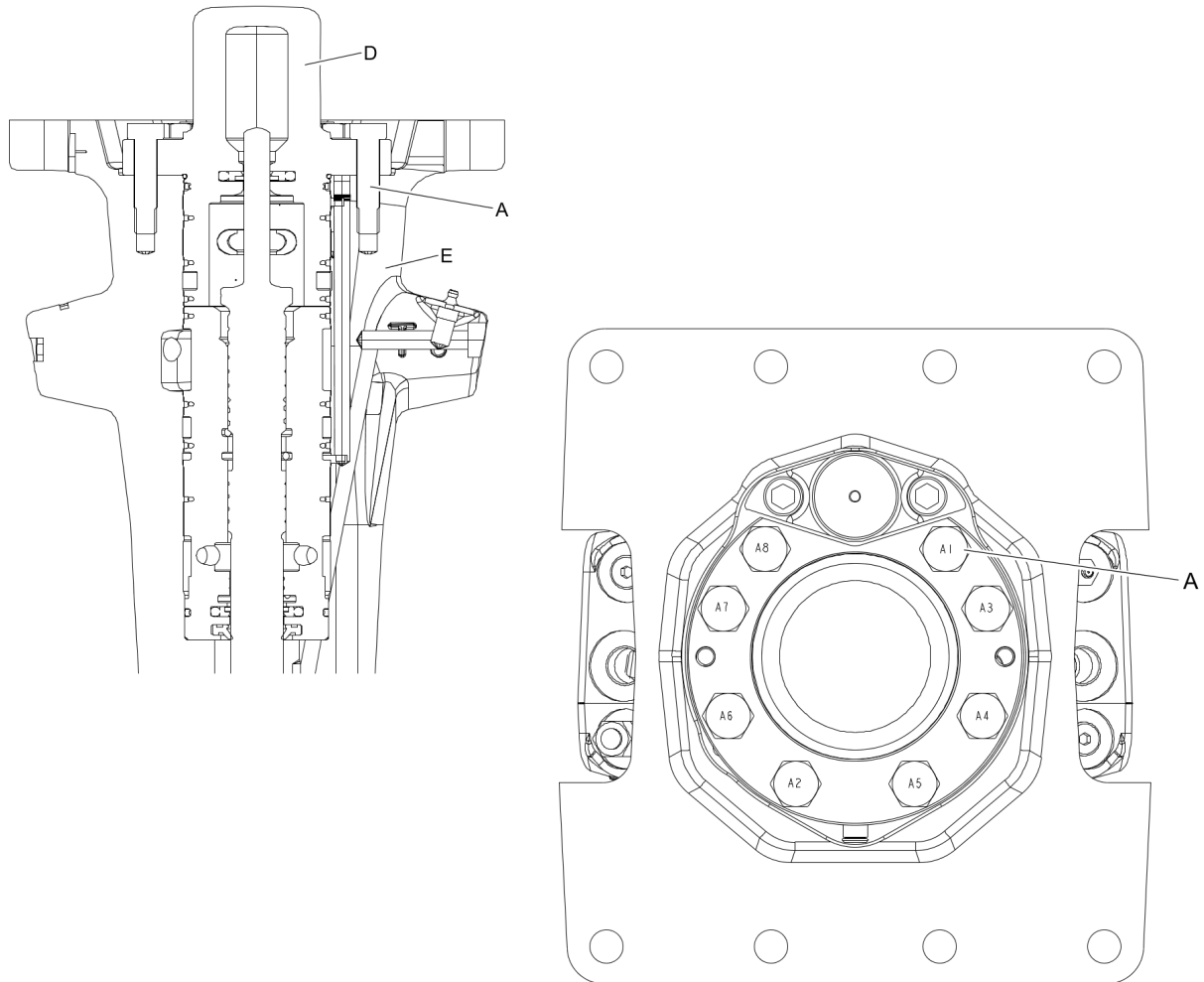
Mechanical Dimensions mm (in.)



Refer to the DocMine web page for most up-to-date information. The printed information might be outdated.
Mon Jul 25 07:40:59 UTC 2022

This page intentionally left blank

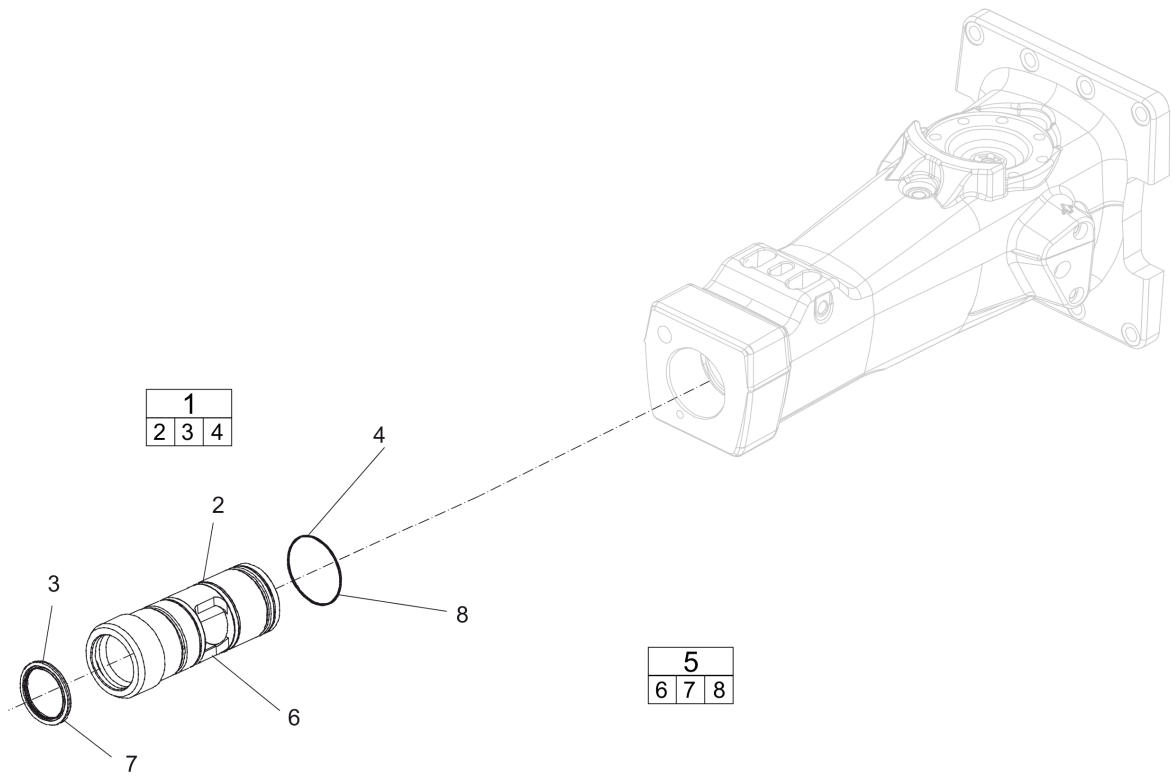
Mechanical Assembly instruction



1. Press the back head (D) down on the hammer body(E).
2. Grease the screws (A) with Molykote® 1000 (Molykote is a registered trademark of Dow Corning Corporation), and manually fit them on the back head (D)
3. Torque the screws (A) in the order from A1 to A8.

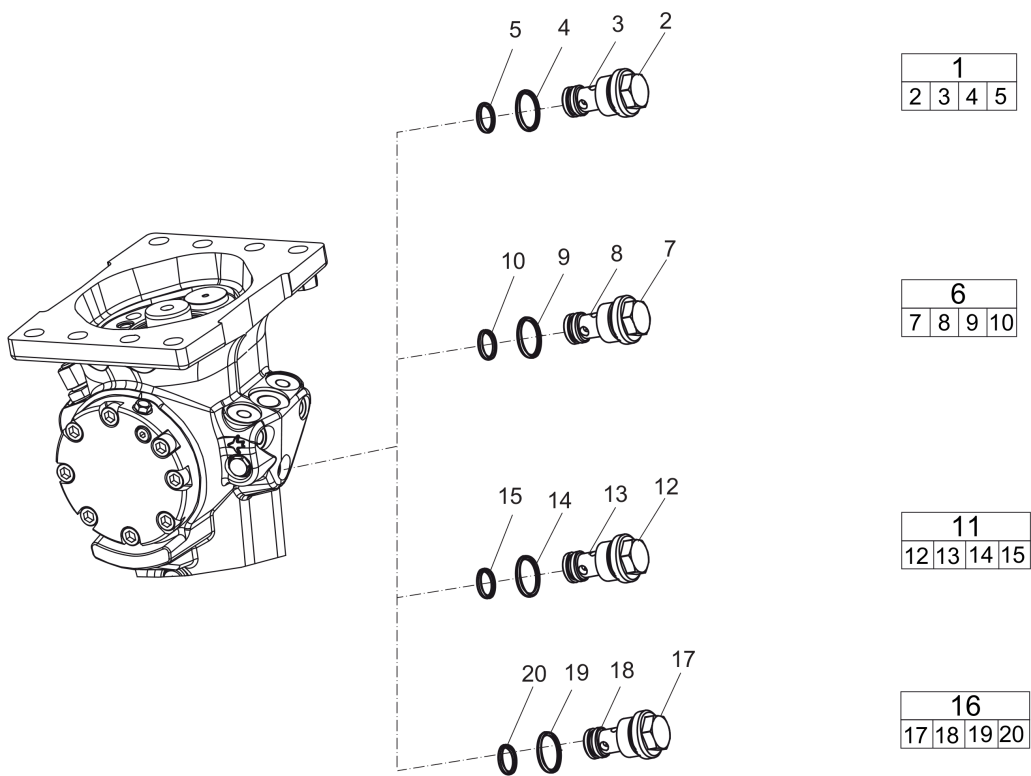
This page intentionally left blank

Options / accessories Bushing oversize, complete



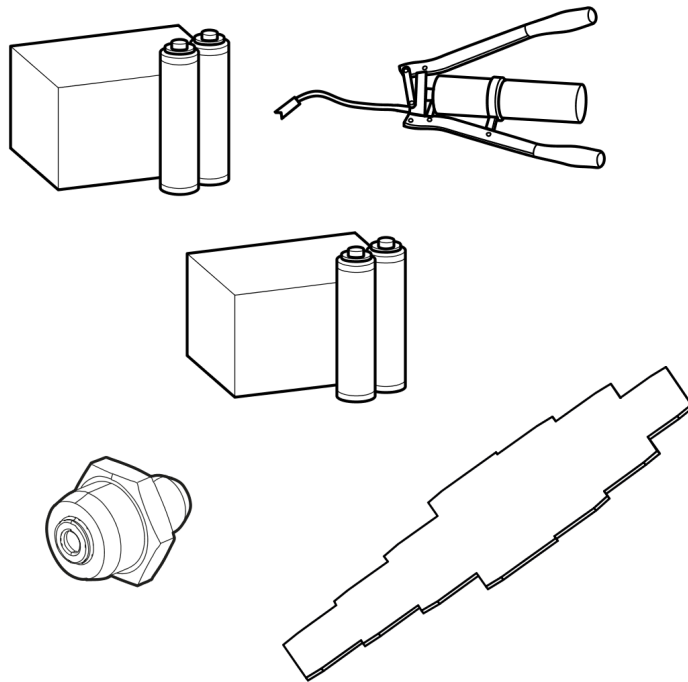
Item	Part No.	Name	Qty	L
1	3382070195	BUSHING OVERSIZE, complete	1	
2	-	BUSHING, Ø 91.5 mm (Ø 3.6 in.)	1	
3	3315356200	SCRAPER RING	1	
4	0663210498	O-RING	1	
5	3382070196	BUSHING OVERSIZE, complete	1	
6	-	BUSHING, Ø 93 mm (Ø 3.7 in.)	1	
7	3315356200	SCRAPER RING	1	
8	0663210498	O-RING	1	

Options / accessories Restrictor, complete



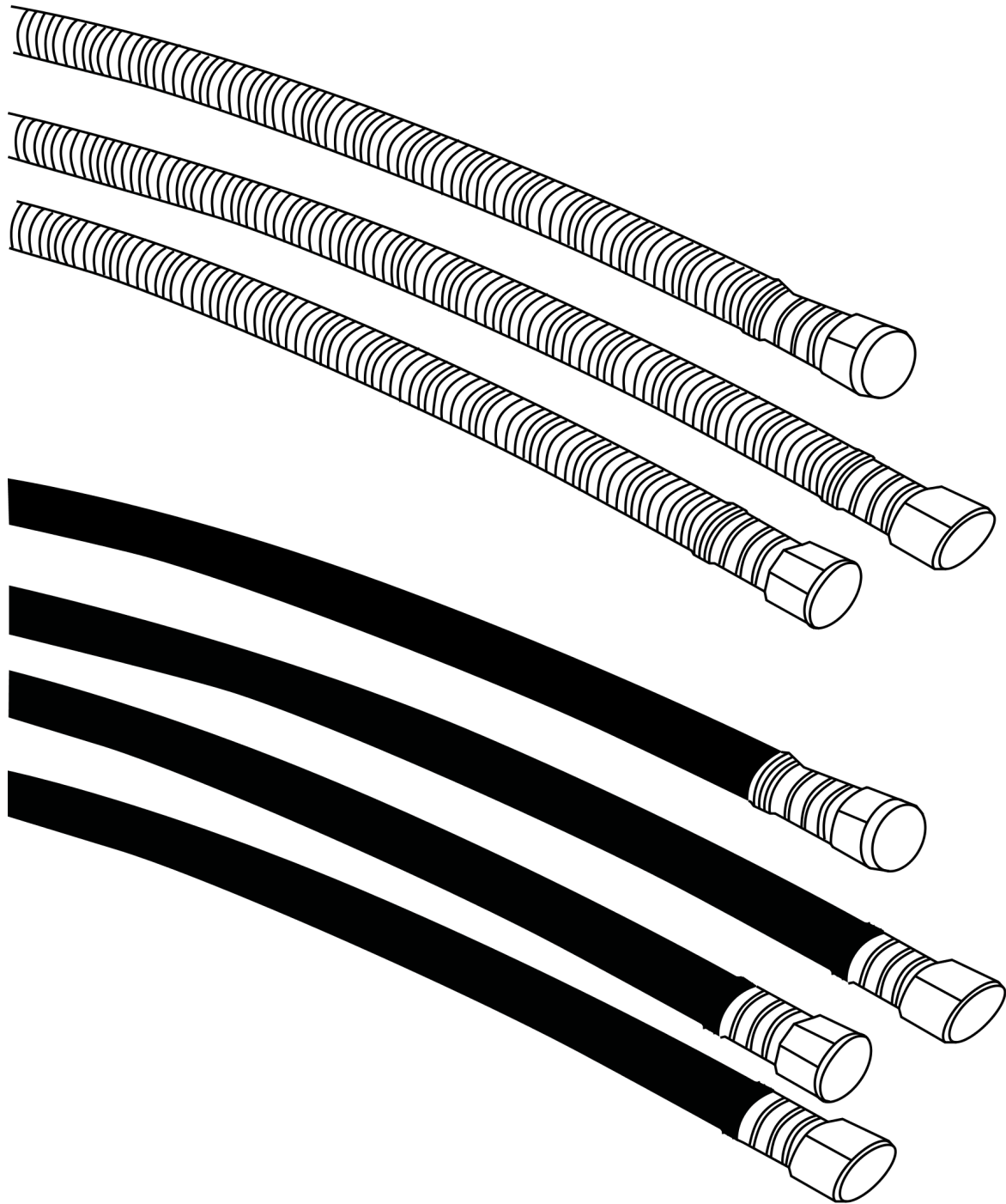
Item	Part No.	Name	Qty	L
1	3315369460	RESTRICTOR, complete	1	
2	3315369200	RESTRICTOR PLUG	1	
3	-	RESTRICTOR SLEEVE Ø 6 mm (0.24 in.)	1	
4	0663212141	O-RING	1	
5	0663210421	O-RING	1	
6	3315369454	RESTRICTOR, complete (optional)	1	
7	3315369200	RESTRICTOR PLUG	1	
8	-	RESTRICTOR SLEEVE Ø 5.4 mm (0.21 in.)	1	
9	0663212141	O-RING	1	
10	0663210421	O-RING	1	
11	3315369450	RESTRICTOR, complete (optional)	1	
12	3315369200	RESTRICTOR PLUG	1	
13	-	RESTRICTOR SLEEVE Ø 5.0 mm (0.20 in.)	1	
14	0663212141	O-RING	1	
15	0663210421	O-RING	1	
16	3315369445	RESTRICTOR, complete (optional)	1	
17	3315369200	RESTRICTOR PLUG	1	
18	-	RESTRICTOR SLEEVE Ø 4.5 mm (0.18 in.)	1	
19	0663212141	O-RING	1	
20	0663210421	O-RING	1	

Options / accessories Optional equipment



Item	Part No.	Name	Qty	L
-	3315383190	CONTILUBE II MICRO	1	
-	0909107100	LUBRICAT.GUN	1	
-	3363122354	BIO CHISEL PASTE, 20 x 150 g (0.33 lbs)	1	
-	3363122355	BIO CHISEL PASTE CARTRIDGE FOR GREASE GUN, 12 x 400 g (0.88 lbs)	1	
-	3363122357	BIO CHISEL PASTE CONTAINER 15 kg (33 lbs)	1	
-	3363122358	BIO CHISEL PASTE CONTAINER 45 kg (99 lbs)	1	
-	3360920415	FILLING DEVICE, for accumulator	1	
-	3363094459	NIPPLE, for charging the accumulator	1	
-	3361329803	FILLING HOSE, for charging the accumulator	1	
-	3315353100	BUSHING WEAR CONTROLLER	1	

Options / accessories Hydraulic hoses



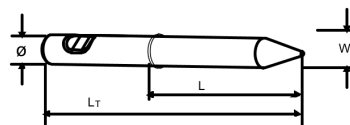
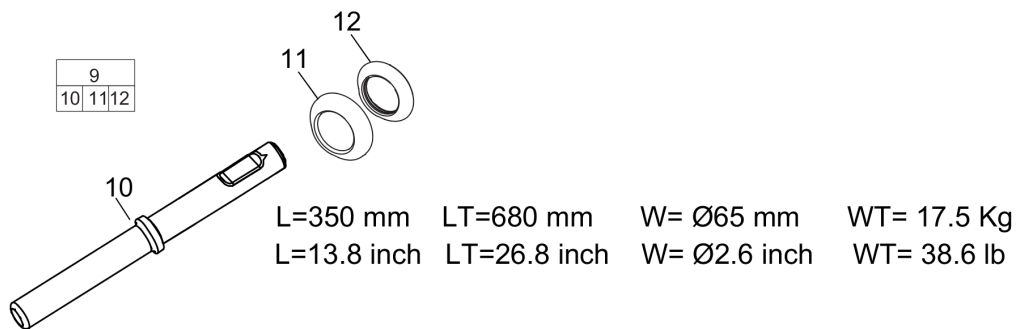
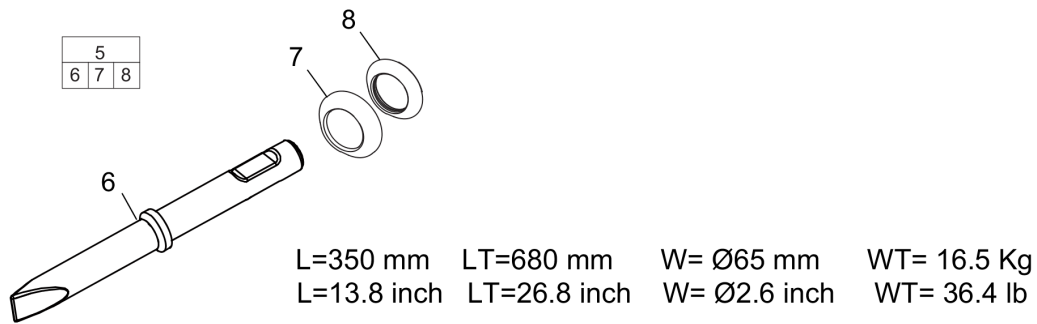
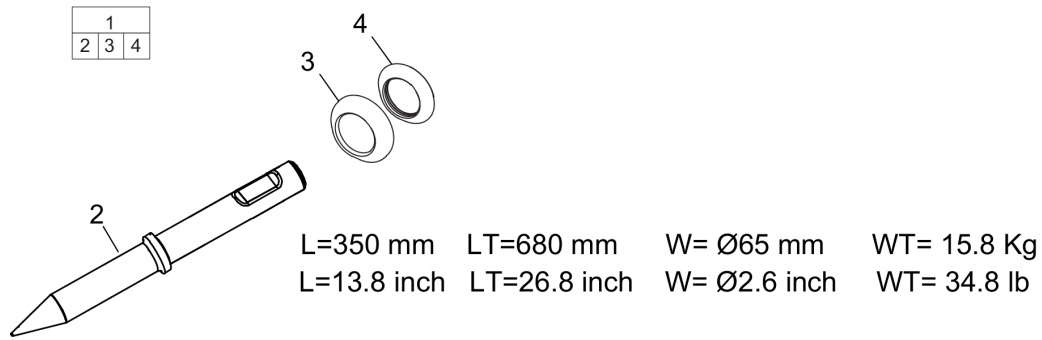
Item	Part No.	Name	Qty	L
Not Shown	-	HEAVY DUTY CONNECTION HOSES	-	
-	3360995717	HYDRAULIC HOSE, both ends 18 L(M26 x 1.5) length 1500 mm (59 in.)	2	
-	3362235159	HYDRAULIC HOSE, both ends 18 L(M26 x 1.5) length 2000 mm (79 in.)	2	
-	3363115426	HYDRAULIC HOSE, both ends 18 L (M26x1.5) length 1750 mm (68 in.)	2	
-	3363083313	HYDRAULIC HOSE, both ends 18 L (M26 x 1.5) length 2400 mm (95 in.)	2	
Not Shown	-	STANDARD CONNECTION HOSES	-	
-	3363491002	HYDRAULIC HOSE, both ends 18 L (M26x1.5) length 1500 mm (59 in.)	2	
-	3363115423	HYDRAULIC HOSE, both ends 18 L (M26x1.5) length 1750 mm (68 in.)	2	
-	3363115424	HYDRAULIC HOSE, both ends 18 L (M26x1.5) length 2000 mm (79 in.)	2	
-	3363115425	HYDRAULIC HOSE, both ends 18 L (M26x1.5) length 2400 mm (95 in.)	2	
-	3363098018	ADDITIONAL FITTING KIT	1	A

Comments for Page: Hydraulic hoses

(L)OCAL REMARKS

A | Needed to fit two hoses to the hydraulic breaker

Options / accessories Working Tools ClassicLine



Refer to the DocMine web page for most up-to-date information. The printed information might be outdated.

Mon Jul 25 07:41:03 UTC 2022

Item	Part No.	Name	Qty	L
1	3083342701	MOIL POINT TUNNEL KIT	1	
2	3083342476	MOIL POINT	1	
3	3315440401	FRONT SHIELD	1	
4	3315440402	DUST COVER	1	
5	3083342702	CHISEL (cross) TUNNEL KIT	1	
6	3083342477	CHISEL (cross)	1	
7	3315440401	FRONT SHIELD	1	
8	3315440402	DUST COVER	1	
9	3083342703	BLUNT TOOL TUNNEL KIT	1	
10	3083342473	BLUNT TOOL	1	
11	3315440401	FRONT SHIELD	1	
12	3315440402	DUST COVER	1	

Annex Environmental Product Compliance - REACH Declaration

**NO EXPLODED VIEW
AVAILABLE
FOR THIS BOM**

Item	Part No.	Name	Qty	L
25	-	Pressure relief valve, complete, Part No. 3315365800 - CAS No. 7439-92-1	-	

Comments for Page: Environmental Product Compliance - REACH Declaration

EU REACH Candidate List substances present in product listed above.

Any unauthorized use or copying of the contents or any part thereof is prohibited.
This applies in particular to trademarks, model denominations, part numbers, and drawings.