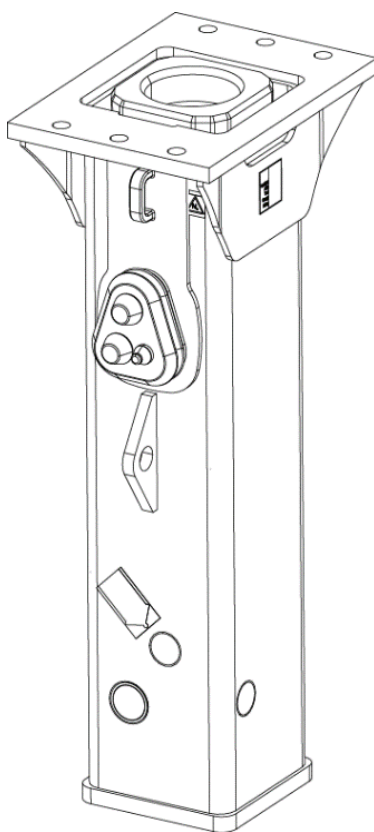


# EC 60T

---

## Spare parts list Hydraulic breakers

EC 60T s/n BES140034 –



# General information

This spare parts list applies to the following:

Part number	Description
8460050092	EC 60T
8460050137	EC 60T HATCON
8460050093	EC 60T No sticker

Use only authorized parts. Any damage or malfunction caused by the use of unauthorized parts is not covered by Warranty or Product Liability. Any unauthorized use or copying of the contents or any part thereof is prohibited. This applies in particular to trademarks, model denominations, part numbers, and drawings.

## Instructions for use

This spare parts list contains no safety regulations and is merely intended to assist in the ordering of spare parts.

For information about operating, servicing, or repairing, the relevant Safety and operating instructions must be consulted at all costs.

Please observe the safety instructions listed in the relevant Safety and operating instructions!

**Service, repair and wear part kits**

Label kit ..... 1  
Seal kit ..... 3

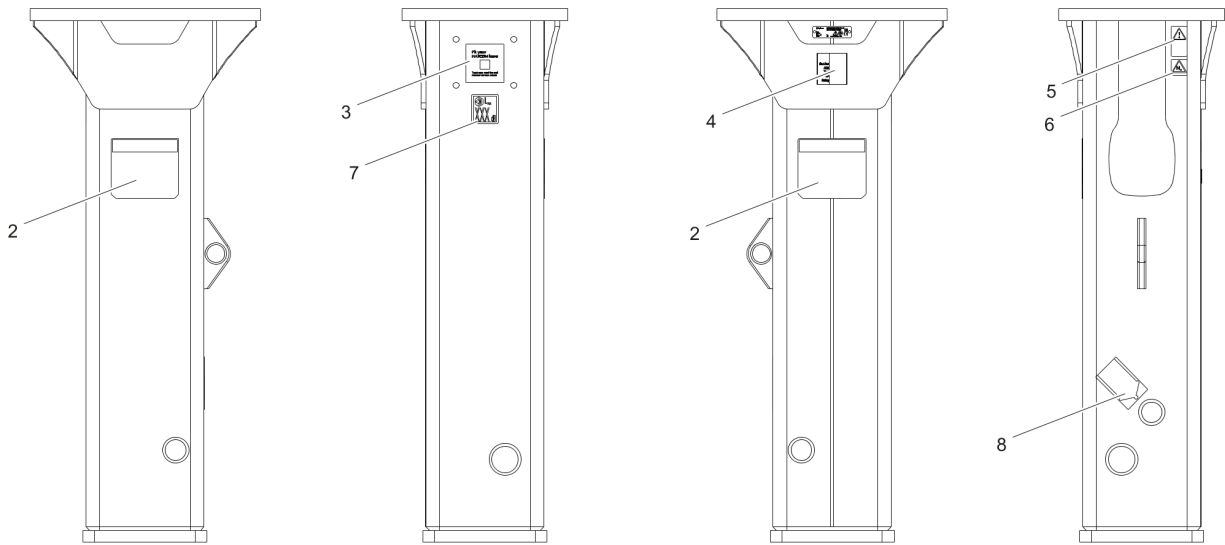
**Mechanical**

Hydraulic breaker (Square box, valid from BES096596) ..... 5  
HATCON (Horizontal) ..... 7  
Percussion unit .....9  
Tightening torques ..... 11  
Assembly instruction ..... 13  
Dimensions ..... 14

**Options/accessories**

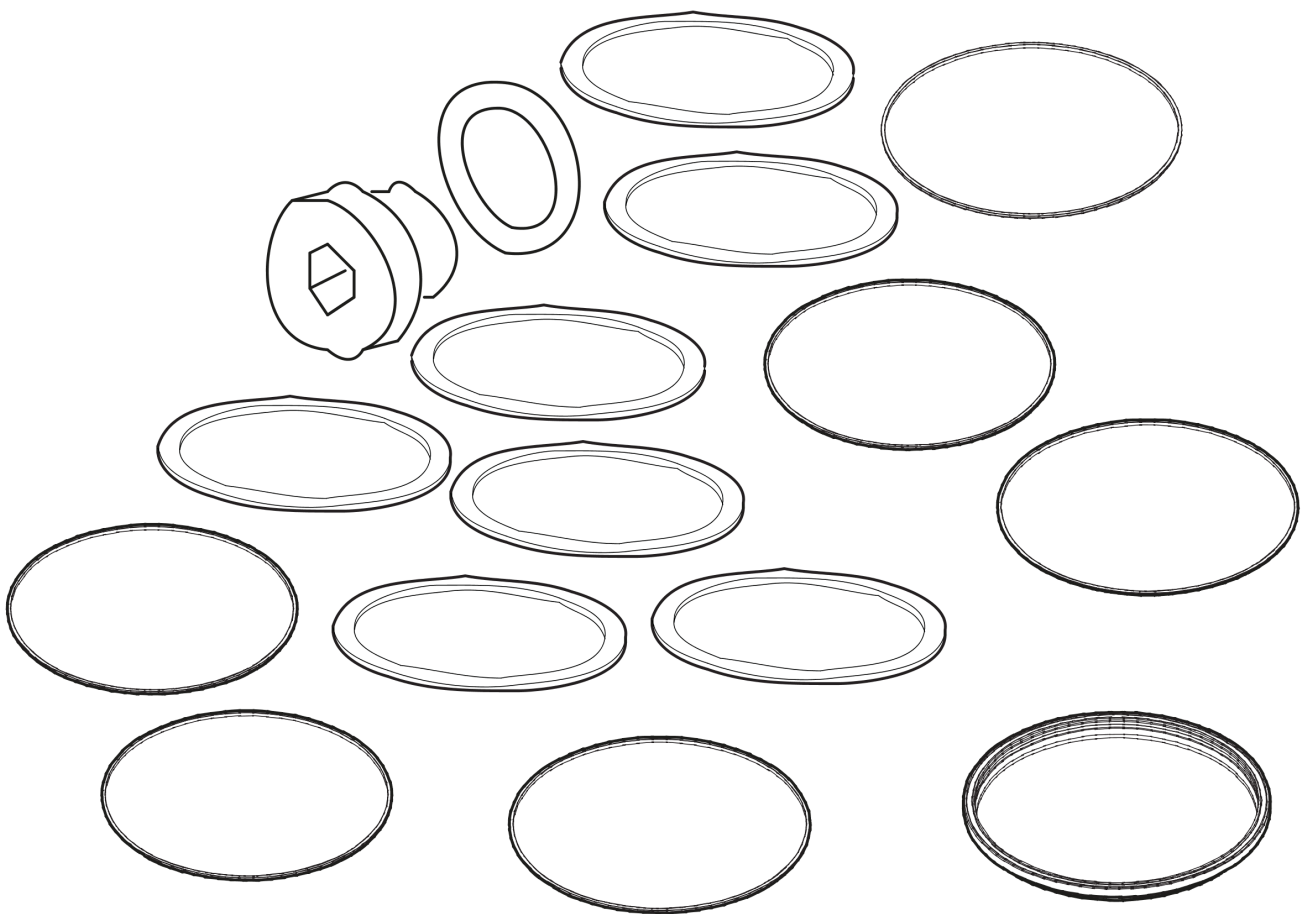
Retrofit ..... 16  
Optional equipment ..... 19  
Working tools ..... 21  
Hydraulic hose ..... 23

Service, repair and wear part kits Label kit



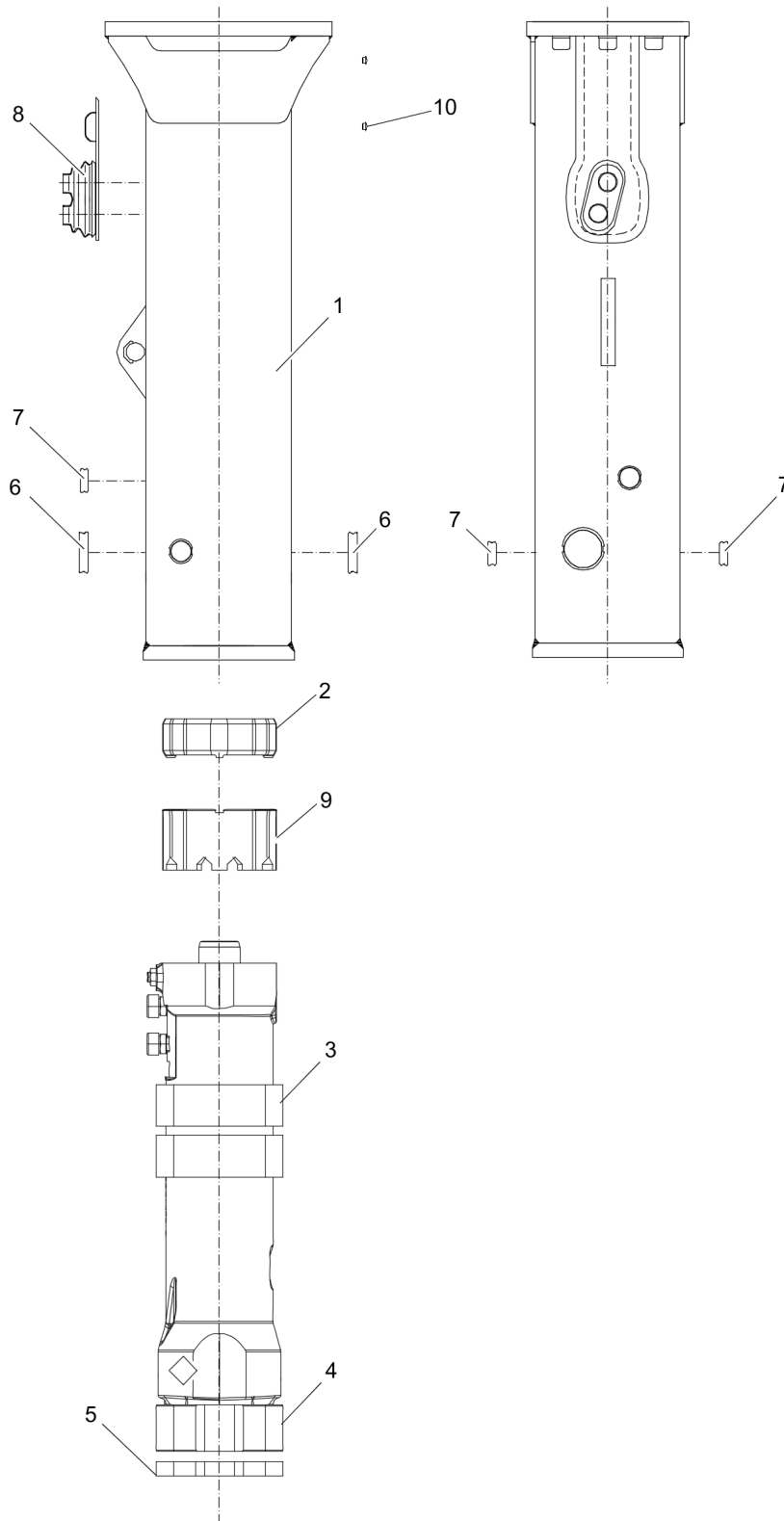
Item	Part No.	Name	Qty	L
1	3382070015	Label kit	1	
2	-	LABEL	2	
3	-	LABEL	2	
4	-	AEM sign	1	
5	3315262900	Safety label	1	
6	3315263000	Safety label	1	
7	-	Sound power label, 109 dB	1	
8	3360995411	Label - Lubricating symbol	1	

Service, repair and wear part kits Seal kit



Item	Part No.	Name	Qty	L
1	3382070008	Seal kit	1	
2	0663211949	O-ring, 26 x 6 mm	1	
3	0663925100	O-ring, 15.08x2.62	1	
4	3115329002	SEAL RING	1	
5	3315296615	Seal, $\varnothing$ 118 mm	2	
6	3360478426	Threaded plug	1	
7	3363091709	O-ring, 104.14 x 5.33 mm	1	
8	3361192031	Quadring, 56.69 x 5.33 mm	1	
9	3361192032	Seal	2	
10	3361192033	O-ring, 62.87 x 5.33 mm	2	
11	3361192035	O-ring, 107.32 x 5.33 mm	1	
12	3361192036	Back-up ring, 108.66 x 4.65 mm	1	
13	3361192038	Seal, 60 x 75.5 x 6.3 mm	1	
14	3361192039	Seal	1	
15	3361192040	O-ring, 66.04 x 5.33 mm	1	
16	3360192066	O-ring	1	
17	3361192067	O-ring	2	

Mechanical Hydraulic breaker (Square box, valid from BES096596)



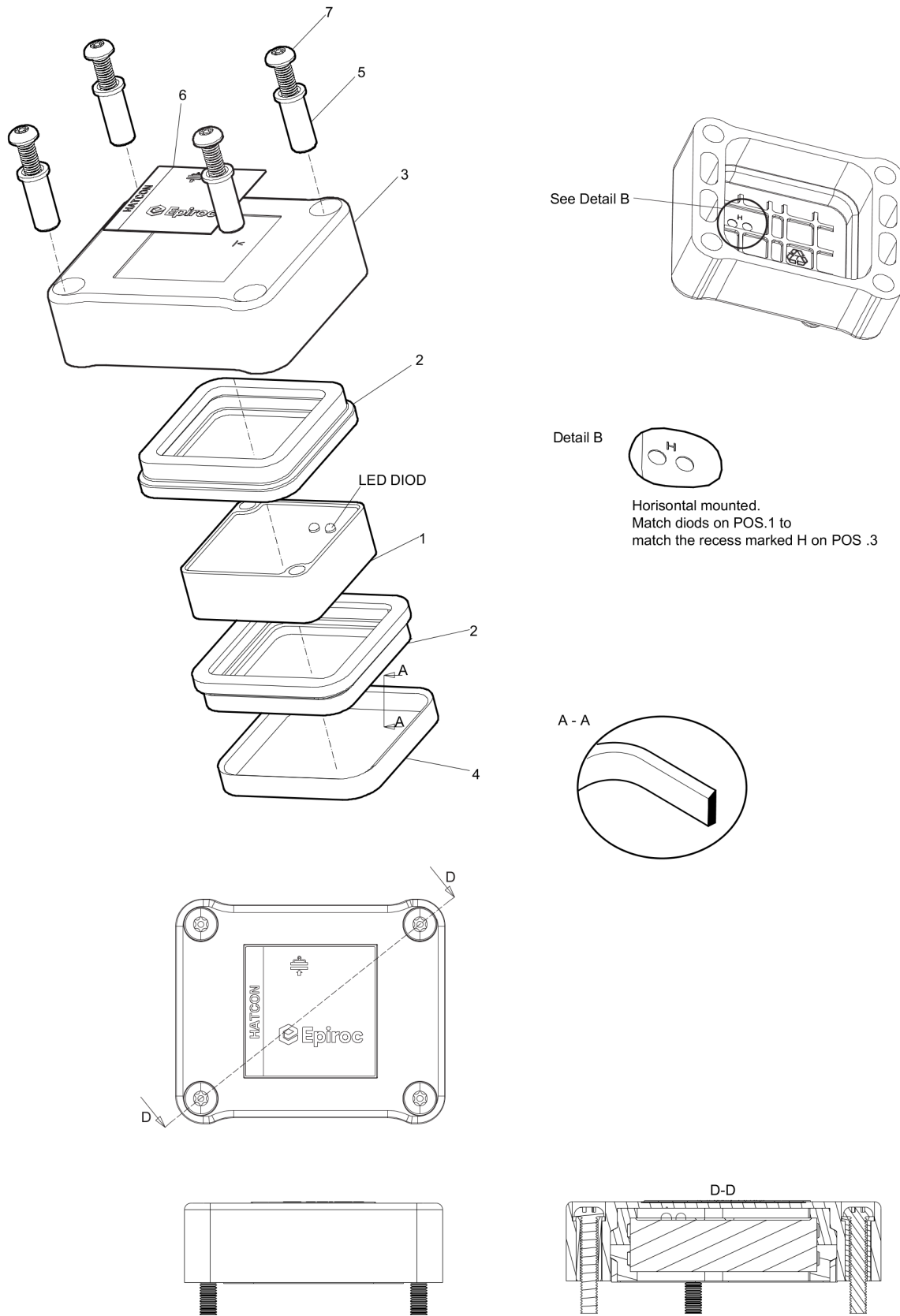
Refer to the DocMine web page for most up-to-date information. The printed information might be outdated.

Mon Mar 22 07:19:15 UTC 2021



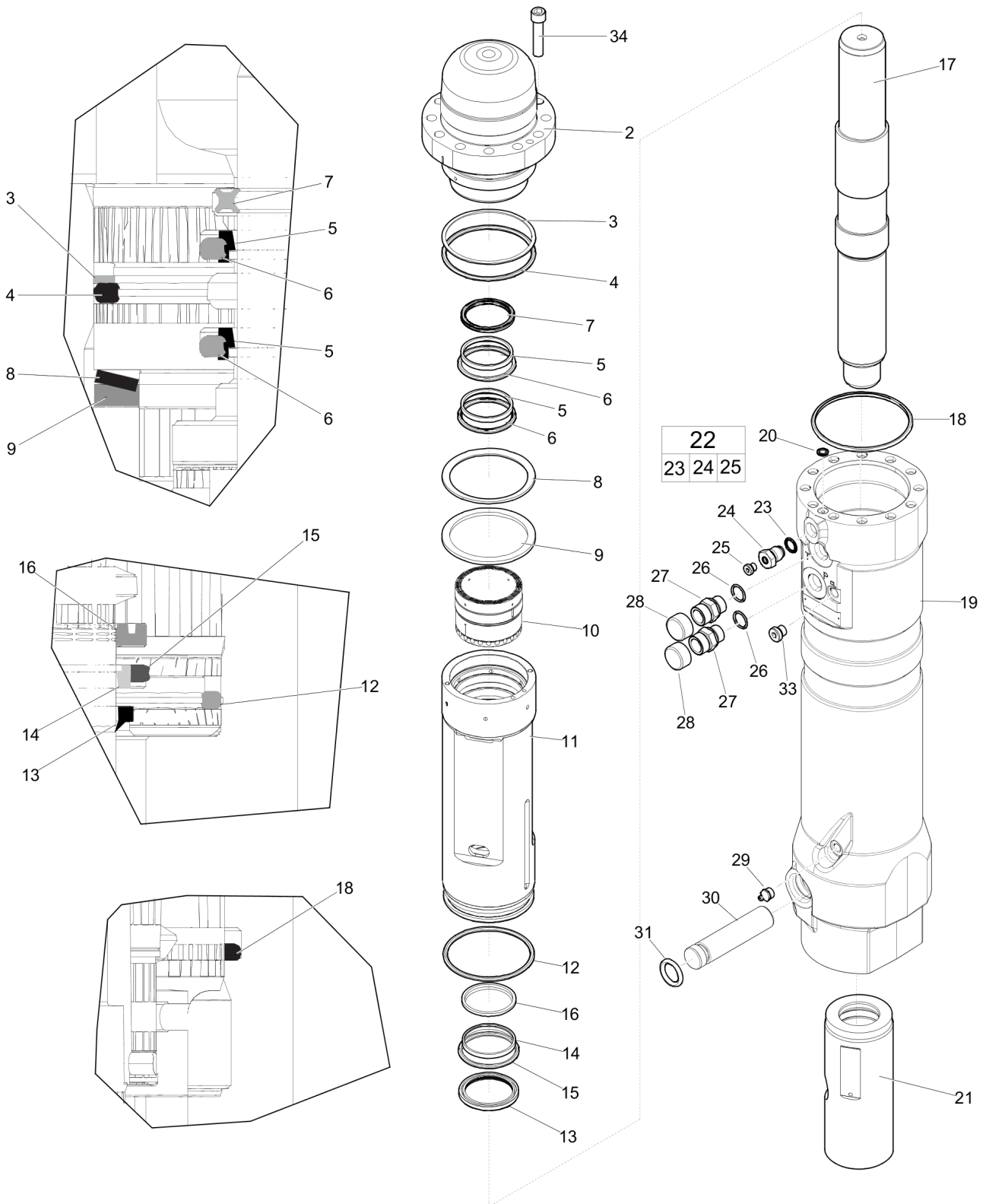
Item	Part No.	Name	Qty	L
1	3362130002	Breaker box	1	
2	3315431300	Shock absorber	1	
3	3362430003	Guide plate	2	
4	3315289720	Lower guide	1	
5	3362430001	Shock absorber	1	
6	3362491007	Plug	1	
7	3362491004	Plug	4	
8	3362491006	Cover	1	
9	3315431400	Spacer	1	
10	3315439145	Protective plug HATCON	4	

Mechanical HATCON (Horizontal)



Item	Part No.	Name	Qty	L
1		Tracking module HATCON	1	
2	3315439130	Damper HATCON	2	
3	3315439110	Housing type 1 HATCON	1	
4	3315439140	Lock ring HATCON	1	
5	3315439120	Sleeve HATCON	4	
6	3315439100	Product label HATCON	1	
7	3315442610	Screw HATCON	4	

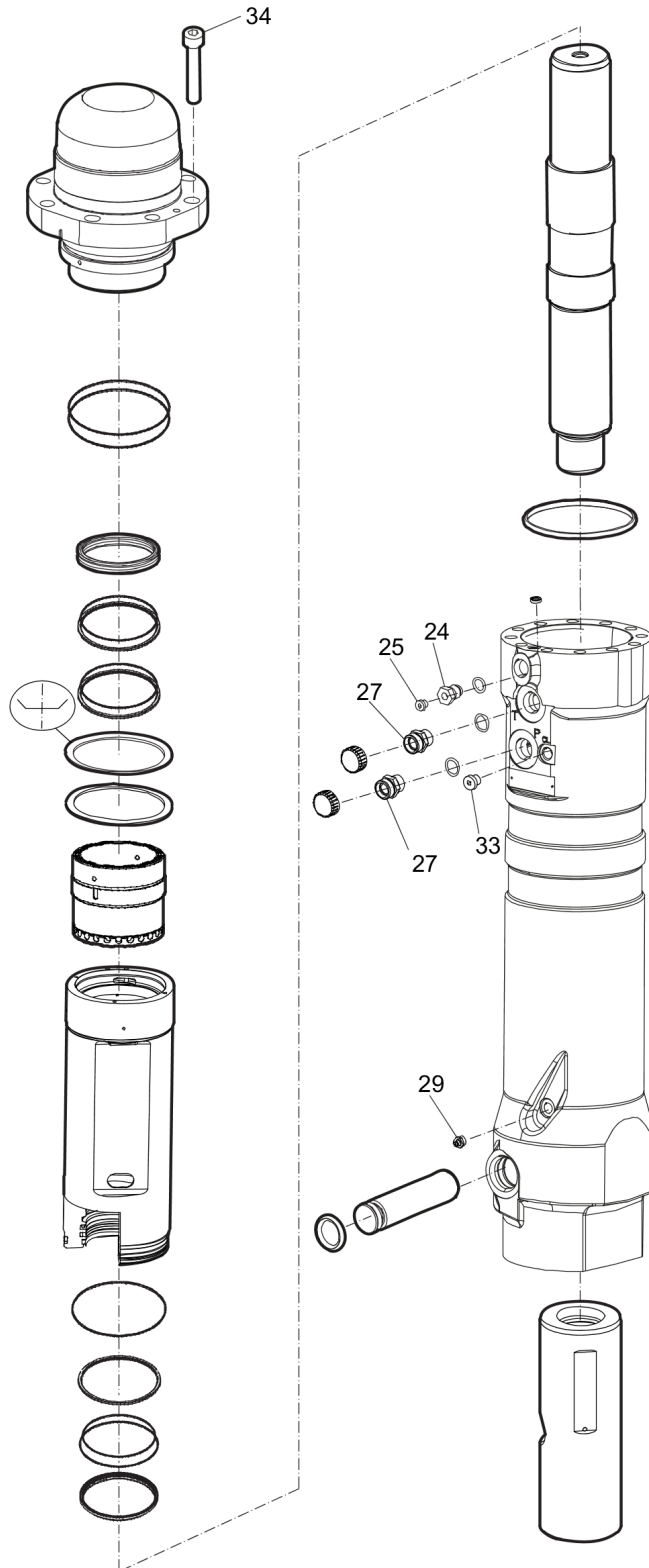
Mechanical Percussion unit



Refer to the DocMine web page for most up-to-date information. The printed information might be outdated.  
Mon Mar 22 07:19:16 UTC 2021

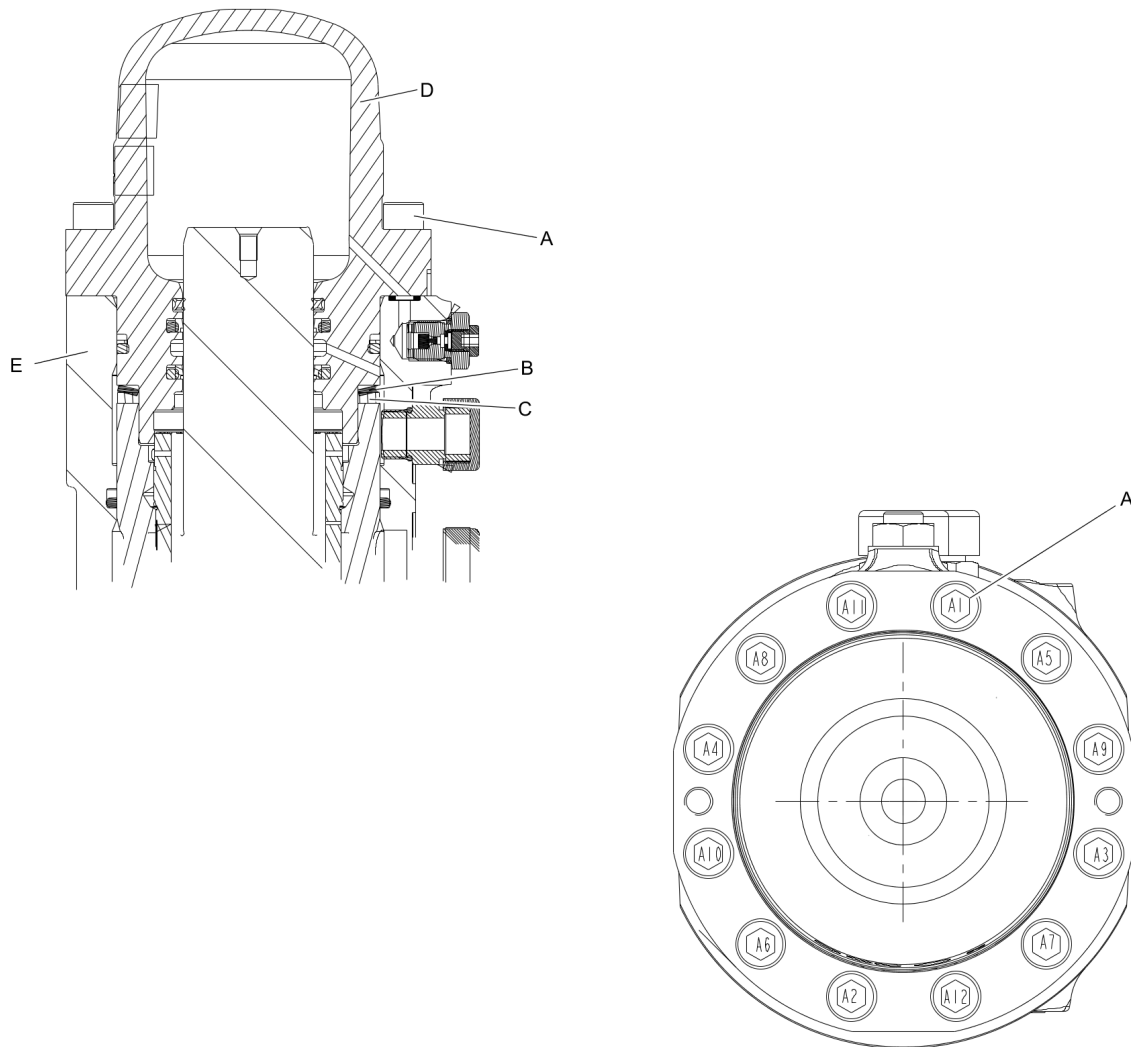
Item	Part No.	Name	Qty	L
2	3315416500	Back head	1	
3	3361192036	Back-up ring, 108.66 x 4.65 mm	1	
4	3361192035	O-ring, 107.32 x 5.33 mm	1	
5	3361192032	Seal	2	
6	3361192033	O-ring, 62.87 x 5.33 mm	2	
7	3361192031	Quadring, 56.69 x 5.33 mm	1	
8	3361130004	Plate spring	1	
9	3361130005	Spacer	1	
10	3361130106	Control valve	1	
11	3361130002	Cylinder bush	1	
12	3361192005	O-ring, 104.14 x 5.33 mm	1	
13	3361192041	Wiper, 60 x 68 x 4 x 7 mm	1	
14	3361192039	Seal	1	
15	3361192040	O-ring, 66.04 x 5.33 mm	1	
16	3361192038	Seal, 60 x 75.5 x 6.3 mm	1	
17	3315332730	Piston	1	
18	3315296615	Seal, $\varnothing$ 118 mm	1	
19	3315429505	Cylinder housing	1	
20	3115329002	SEAL RING	1	
21	3361130009	Wear bush	1	
22	3363087286	Filling valve complete	1	
23	0663925100	O-ring, 15.08x2.62	1	
24	3362264245	Filling valve	1	
25	3360478426	Threaded plug	1	
26	3361192067	O-ring	2	
27	3361031476	Nipple	2	
28	3361353486	Cap	2	
29	0544215300	GREASE NIPPLE	1	
30	3315429515	Retainer	1	
31	0663212006	O-ring, 26 x 6 mm	1	A
33	3363066963	Plug, M14 x 1.5 mm	1	
34	3315431100	MC6S M12x55 8.8 g627	12	

Mechanical Tightening torques



Item	Part No.	Name	Qty	L
29	-	Grease nipple, 20 Nm	-	
34	-	Screw, 78 Nm, see "Assembly instruction"	-	
24	-	Filling valve, 130 Nm	-	
25	-	Threaded plug, 20 Nm	-	
27	-	Fitting, 90 Nm	-	
33	-	Plug, 30 Nm	-	

## Mechanical Assembly instruction



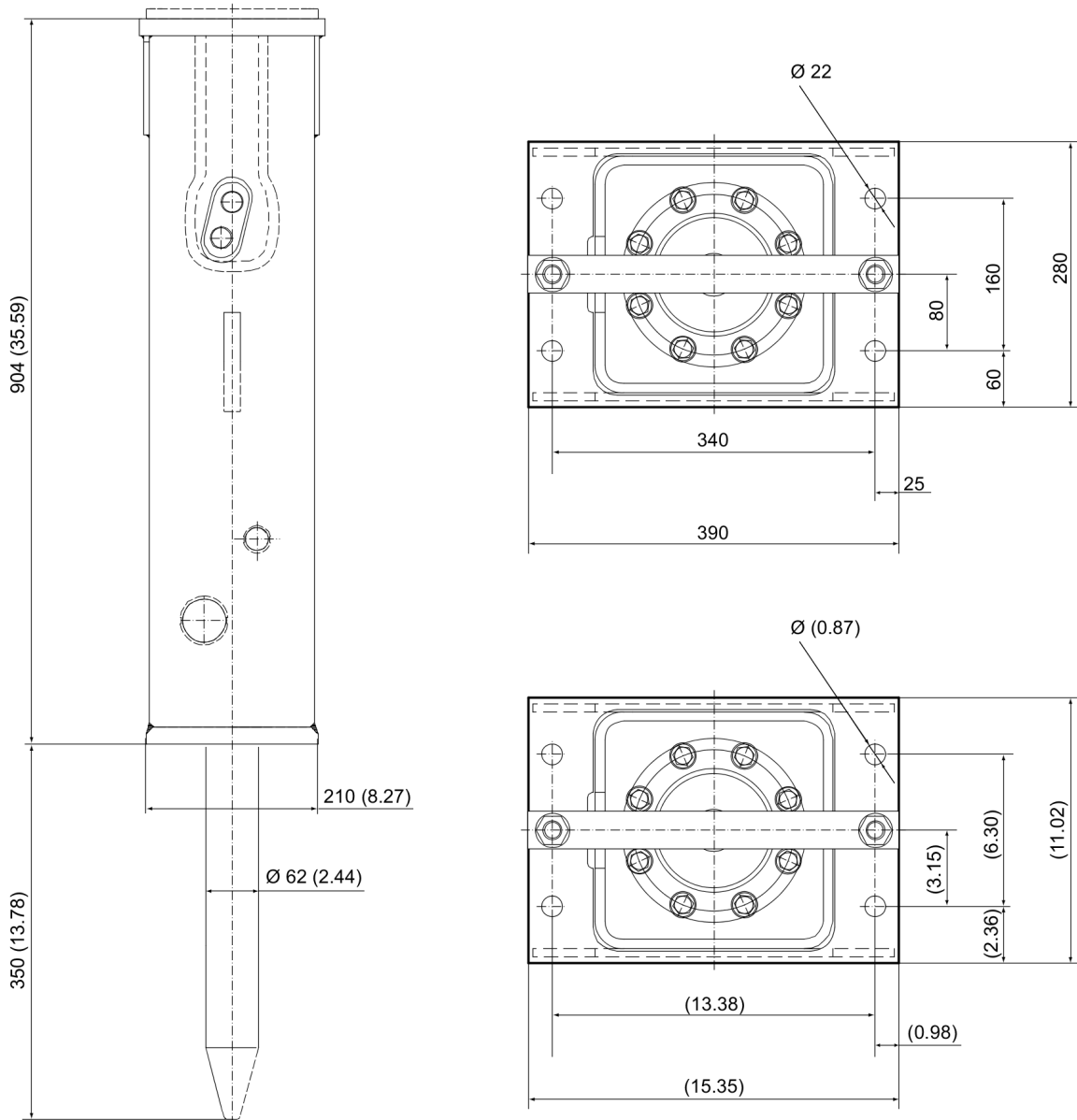
1. Make sure the spring plate (B) and spacer (C) are centered before mounting the back head (D).
2. Press the back head (D) down on the spring plate (B) and spacer (C).
3. Grease the screws (A) with Molykote® 1000 (Molykote is a registered trademark of Dow Corning Corporation), and manually fit them on the back head (D)
4. Torque the screws (A) in the order from A1 to A12 in one step.



This page intentionally left blank

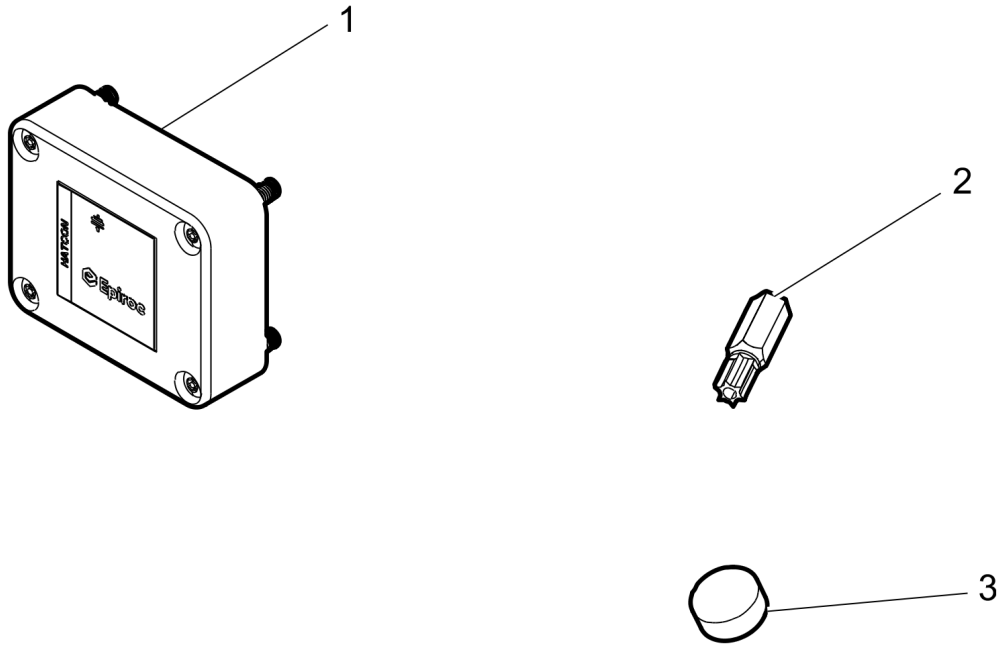
Mechanical Dimensions

mm (inch)



This page intentionally left blank

Options/accessories Retrofit



Item	Part No.	Name	Qty	L
1	3315442506	Retrofit kit HATCON	1	
2	3315439105	Security bit HATCON	1	
3	3315439106	Magnet HATCON	1	

Options/accessories Optional equipment

**NO EXPLODED VIEW  
AVAILABLE  
FOR THIS BOM**

Item	Part No.	Name	Qty	L
-	3363094913	Chisel paste cartridge for grease gun, 12 x 400 g (0.88 lbs)	1	A
-	0909107100	LUBRICAT.GUN	1	
-	3363491004	Charging box with nitrogen cylinder, 2 l, 0.43 gal (0.53 US gal)	1	
-	3315303700	Test gauge wear bush	1	

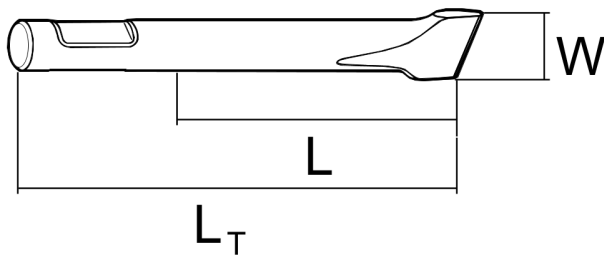
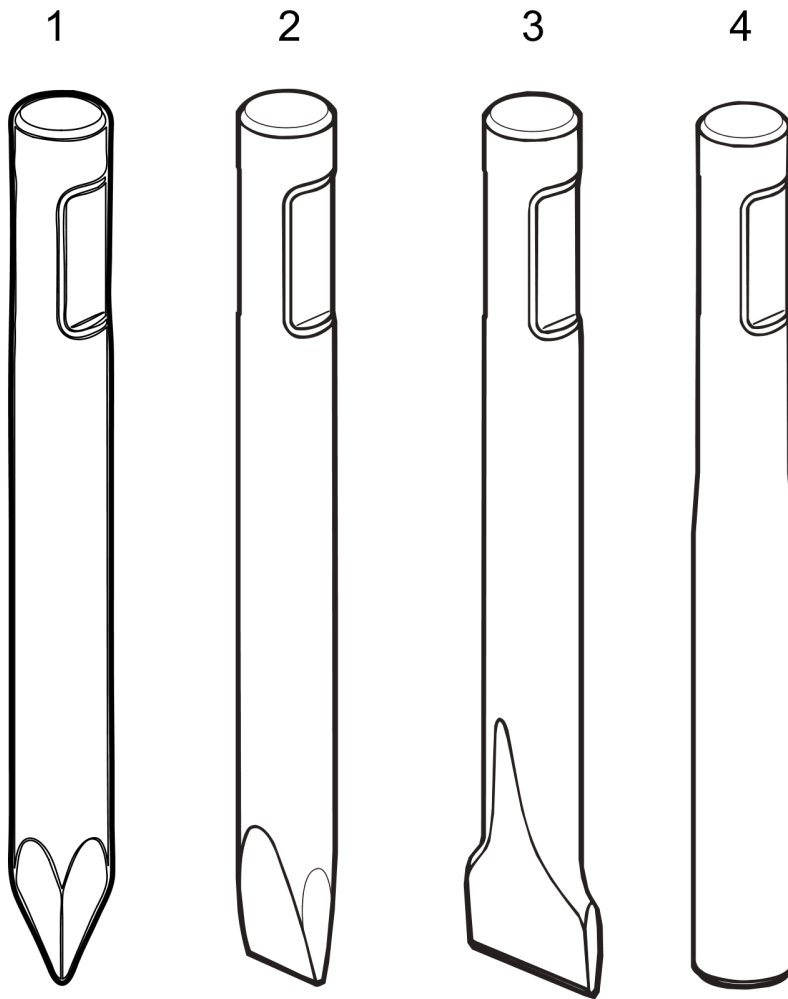
Comments for Page: Optional equipment

(L)OCAL REMARKS

A | 400 g (0.88 lbs)

(carton of 12 pieces)

Options/accessories Working tools





Item	Part No.	Name	Qty	L
1	3083342427	Moil point		A
2	3083342428	Chisel (cross)		B
3	3363130005	Asphalt cutter (cross)		C
4	3083342426	Blunt tool		D

Comments for Page: Working tools

A | L=390 mm, Lt=590 mm, Wt=12.5 kg

L=13.78 inch, Lt=23.23 inch, Wt=27.6 lb

B | W=62 mm, L=390 mm, Lt=590 mm, Wt=13 kg

W=2.44 inch, L=13.78 inch, Lt=23.23 inch, Wt=28.7 lb

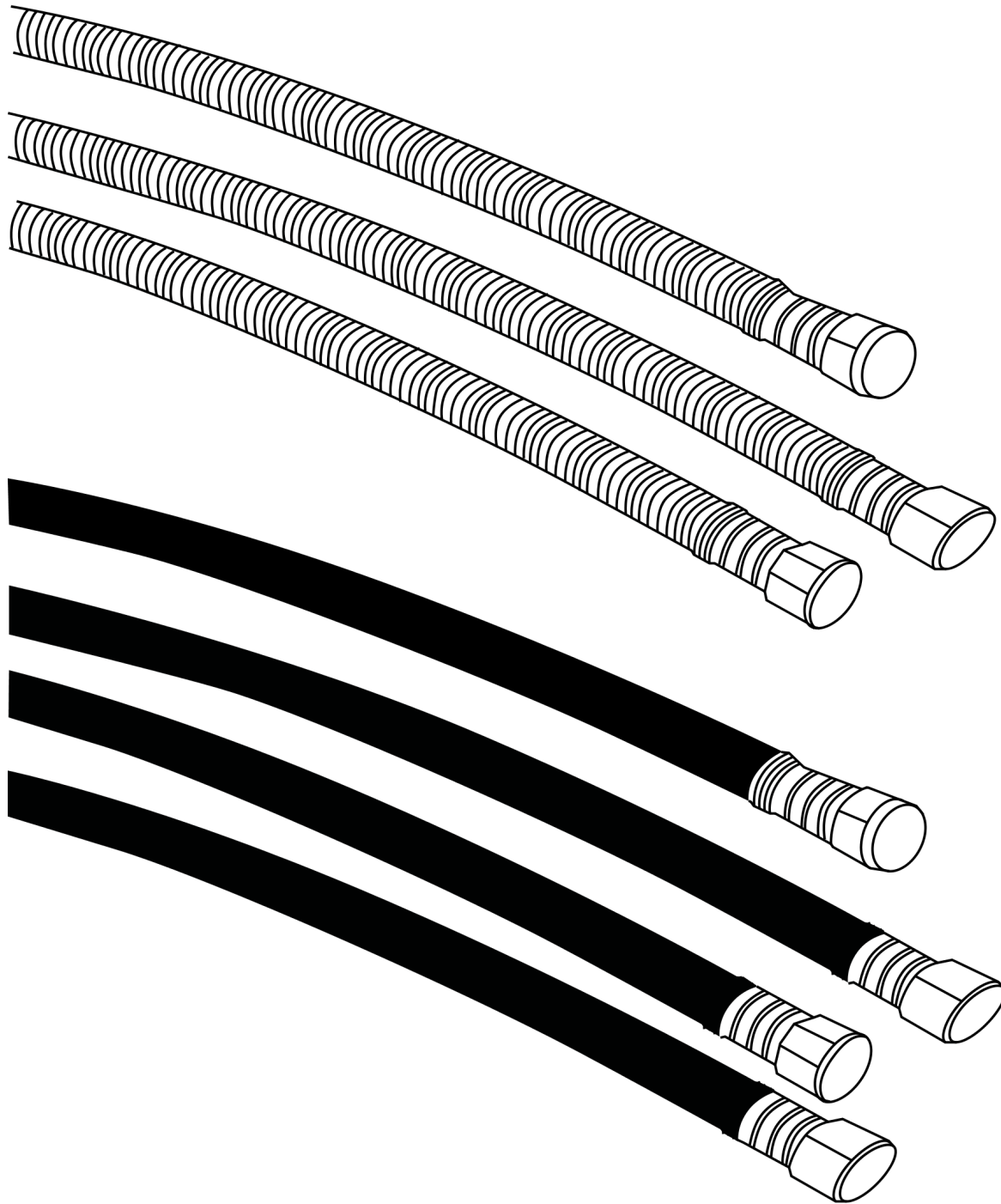
C | W=140 mm, L=450 mm, Lt=650 mm, Wt=14.6 kg

W=5.51 inch, L=16.14 inch, Lt=25.59 inch, Wt=32.2 lb

D | L=390 mm, Lt=590 mm, Wt=13.1 kg

L=13.78 inch, Lt=23.23 inch, Wt=28.9 lb

Options/accessories Hydraulic hose



Item	Part No.	Name	Qty	L
Not Shown	-	Standard connection hoses	1	
-	3363115423	Hose, both ends 18 L(M26x1.5) length 1750 mm	1	
-	3363491002	Hose, both ends 18 L(M26x1.5) length 1500 mm	1	
-	3363101424	Hydraulic hose, I.D. 16 mm (0.63") 18 L (M26 x 1.5), length 2000 mm (78.74 in.)	1	
-	3363115425	Hose, both ends 18 L(M26x1.5) length 2400 mm	1	
Not Shown	-	Heavy duty connction hoses with spring protection	1	
-	3360995717	Hose, both ends 18 L(M26 x 1.5) length 1500 mm	1	
-	3363115426	Hose, both ends 18 L(M26x1.5) length 1750 mm	1	
-	3362235159	Hose, both ends 18 L(M26 x 1.5) length 2000 mm	1	
-	3363083313	Hose, both ends 18 L(M26 x 1.5) length 2400 mm	1	

Any unauthorized use or copying of the contents or any part thereof is prohibited.  
This applies in particular to trademarks, model denominations, part numbers, and drawings.