

Dynapac CC800 Plus

Double drum vibratory rollers



Technical data



Masses

Max. operating mass	1665 kg
Operating mass (incl. ROPS)	1575 kg
Module mass (front/rear)	740 kg/835 kg



Compaction

Centrifugal force	17 kN
Nominal amplitude	0.4 mm
Static linear load (front/rear)	9.3/10.4 kg/cm
Vibration frequency	70 Hz
Water tank	190 l



Hydraulic system

Driving	Axial piston pump with variable displacement and servo. 2 radial piston motors with constant displacement.
Vibration	Gear pump/motors with constant displacement.
Steering	Gear pump with constant displacement.
Service brake	Hydrostatic in forward and reverse lever.
Parking/ Emergency brake	Failsafe brake in both drums.



Engine

Manufacturer/Model	Kubota D1105-E4B T4f/V
Type	Water cooled diesel
Rated power, SAE J1995	18 kW (24 hp) @ 2800 rpm
Fuel tank capacity	23 l



Traction

Speed range	0 -9 km/h
Vertical oscillation	±13°

Find us locally at www.dynapac.com

We reserve the right to change specifications without notice. Photos and illustrations do not always show standard versions of machines. The above information is a general description only, all informations are supplied without liability.

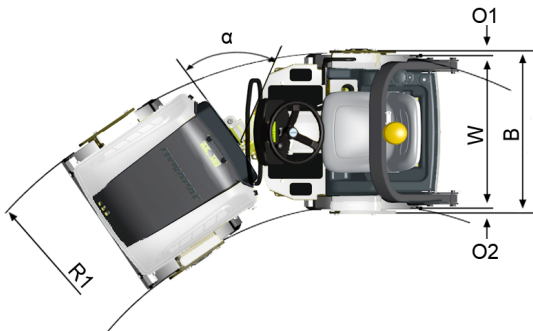
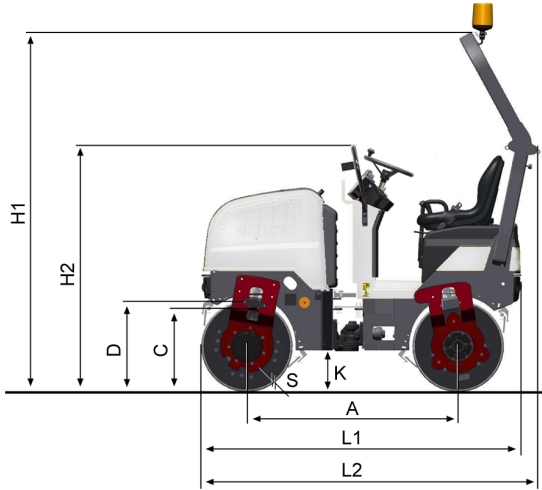
dynapac_cc800_plus_en-20190325.090615.pdf 2019-03-25 09:06

Dynapac CC800 Plus

Double drum vibratory rollers



Technical data



Dimensions	
A. Wheelbase	1350 mm
B. Width	874 mm
C. Curb clearance	455 mm
D. Drum diameter	588 mm
H1. Height, with ROPS/cab	2300 mm
K. Ground clearance	250 mm
L1. Length	2040 mm
O1. Overhang, right	35 mm
O2. Overhang, left	35 mm
S. Drum shell thickness	14 mm
W. Drum width	800 mm
α. Steering angle	±34°



Equipment package

CC Plus Package	Included	Optional
Backup alarm	■	
CE sign	■	
Comfort seat	■	
Cup/can holder	■	
Driving lights, right or left handed		■
Dual forward/reverse control		■
Foldable ROPS incl. seat belt	■	
Large Watertank, 190 l	■	
Rotating beacon	■	
Rotating beacon, ignition controlled		■
Sprinkler timer	■	
Vibr. shut off, front or rear drum	■	
Working lights	■	



Optional equipment

3" seatbelt, Biodegradable hydraulic fluid, Cert. fire protection (SBF 127), Decal risk location (GOST), Fire extinguisher, Hearing protectors, Licence plate light, Rear view mirror (traffic view), Service kit 50/500/1000 h, Side direction lights (driving lights required), Slow moving vehicle sign, Special color (one or two), Tool set, Water tank cover (lockable)

Find us locally at www.dynapac.com

We reserve the right to change specifications without notice. Photos and illustrations do not always show standard versions of machines. The above information is a general description only, all informations are supplied without liability.

dynapac_cc800_plus_en-20190325.090615.pdf 2019-03-25 09:06