

Dynapac CC2200

Double drum vibratory rollers



Technical data



Masses

Max. operating mass	9000 kg
Operating mass (incl. ROPS)	7600 kg
Operating mass (incl. Cab)	7800 kg
Module mass (front/rear)	3800 kg/3800 kg



Traction

Speed range	0-12 km/h
Vertical oscillation	±7°
Theor. gradeability	42 %



Compaction

Centrifugal force (high/low amplitude)	78 kN/67 kN
Nominal amplitude (high/low)	0.7 mm/0.3 mm
Static linear load (front/rear)	25.3/25.3 kg/cm
Vibration frequency (high/low amplitude)	48 Hz/67 Hz
Water tank	750 l



Compaction (CE)

Centrifugal force (high/low amplitude)	72 kN/38 kN
Nominal amplitude (high/low)	0.7 mm/0.2 mm
Static linear load (front/rear)	25.3/25.3 kg/cm
Vibration frequency (high/low amplitude)	48 Hz/62 Hz
Water tank volume	750 l



Engine

Manufacturer/Model	Deutz TCD 3.6 HT T4f
Type	Water cooled turbo Diesel
Rated power, SAE J1995	55 kW (74 hp) @ 2200 rpm
Fuel tank capacity	130 l



Engine

Manufacturer/Model	Cummins QSB 3.3 IIIA/T3
Type	Water cooled turbo Diesel
Rated power, SAE J1995	1. 74kW (99hp) @ 2200 rpm 2. 60kW (80hp) @ 2200 rpm



Engine

Manufacturer/Model	Deutz TCD 3.6 HT StageV
Type	Water cooled turbo Diesel
Rated power, SAE J1995	55 kW (74 hp) @ 2200 rpm



Hydraulic system

Driving	Axial piston pump with variable displacement. Axial piston motors (2) with variable displacement.
Vibration	Axial piston pumps (2) with variable displacement. Axial piston motors (2) with constant displacement.
Steering	Gear pump with constant displacement.
Service brake	Hydrostatic in forward and reverse lever.
Parking/ Emergency brake	Failsafe multidisc brake in both drums.

Find us locally at www.dynapac.com

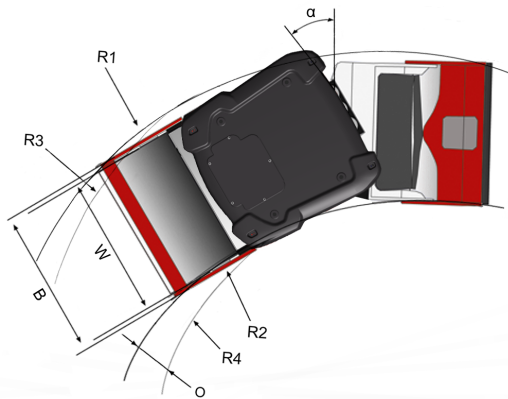
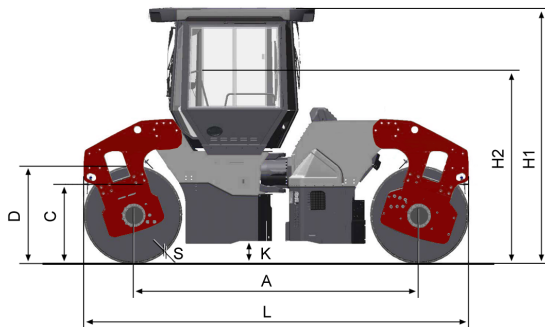
We reserve the right to change specifications without notice. Photos and illustrations do not always show standard versions of machines. The above information is a general description only, all informations are supplied without liability.

Dynapac CC2200

Double drum vibratory rollers



Technical data



Dimensions	
A. Wheelbase	3340 mm
B. Width	1620 mm
C. Curb clearance	715 mm
D. Drum diameter	1150 mm
H1. Height, with ROPS/cab	2990 mm
K. Ground clearance	270 mm
L. Length	4490 mm
O. Off-set	335 mm
R1. Turning radius, outside	6570 mm
R2. Turning radius, inside	5070 mm
R3. Turning radius with off-set, outside	4890 mm
R4. Turning radius with off-set, inside	3390 mm
S. Drum shell thickness	20 mm
W. Drum width	1500 mm
α . Steering angle	$\pm 32^\circ$

Find us locally at www.dynapac.com

We reserve the right to change specifications without notice. Photos and illustrations do not always show standard versions of machines. The above information is a general description only, all informations are supplied without liability.