



Dynapac CA6500D


Single drum vibratory rollers





Technical data


 Masses	
Operating mass (incl. ROPS)	20700 kg
Operating mass (incl. Cab)	20900 kg
Module mass (front/rear)	13950 kg/6950 kg
Max. operating mass	21000 kg


 Dimensions	
Drum width	2130 mm

 Traction	
Speed range (Dual/TC/AS)	4/6/7/11 km/h
Vertical oscillation	±9°
Tyre size (12 ply)	23.1 x 26 AW
Max. theoretical gradeability	45 %

 Compaction	
Static linear load	65 kg/cm
Nominal amplitude (high/low)	2.1 mm/0.8 mm
Centrifugal force (high/low amplitude)	360 kN/150 kN
Vibration frequency (high/low amplitude) SEISMIC available (values for manual mode)	29 Hz /30 Hz

 Engine	
Manufacturer/Model	Cummins B4.5 (Stage V /T4final)
Type	Water cooled turbo Diesel
Rated power, SAE J1995	149 kW (200 hp) @ 2,200 rpm
Fuel tank capacity	255 l
DEF tank capacity	30 l

 Engine	
Manufacturer/Model	Deutz TCD2012L06 (IIIA/T3)
Type	Water cooled turbo Diesel
Rated power, ISO 14396	150 kW (204 hp) @ 2200 rpm

 Hydraulic system	
Driving	Hydrostatic
Vibration	Hydrostatic
Steering	Hydrostatic
Service brake	Hydrostatic in forward and reverse lever.
Parking/ Emergency brake	Failsafe multidisc brake in drum gear box and in rear axle.

Find us locally at www.dynapac.com

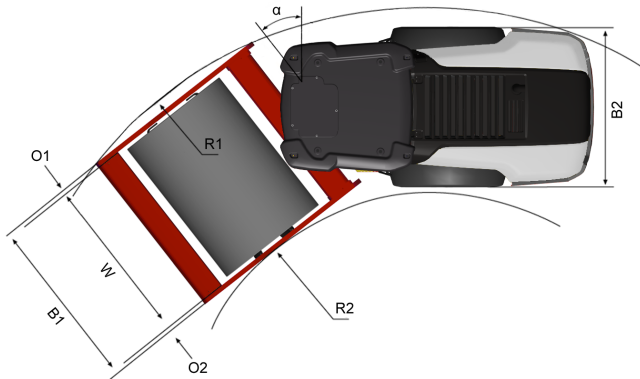
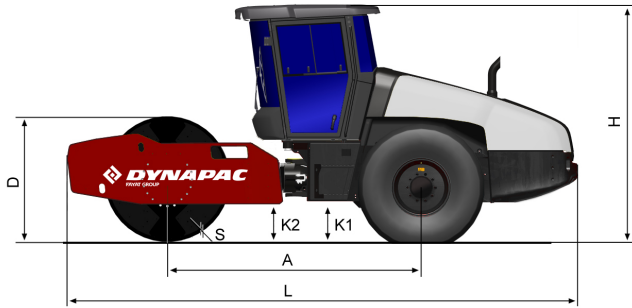
We reserve the right to change specifications without notice. Photos and illustrations do not always show standard versions of machines. The above information is a general description only, all informations are supplied without liability.

Dynapac CA6500D

Single drum vibratory rollers



Technical data



Dimensions	
A. Wheelbase	3100 mm
B1. Width, front	2380 mm
B2. Width, rear	2130 mm
D. Drum diameter	1546 mm
H1. Height, with ROPS/cab	2890 mm
H2. Height, w/o ROPS/cab	2130 mm
K1. Ground clearance	450 mm
K2. Curb clearance	450 mm
L. Length	6240 mm
O1. Overhang, right	125 mm
O2. Overhang, left	125 mm
R1. Turning radius, outside	5800 mm
R2. Turning radius, inside	3300 mm
S. Drum shell thickness	48 mm
W. Drum width	2130 mm
α. Steering angle	±38°



Optional equipment

Air Conditioning /Automatic Climate Control (ACC) (Optional)

- The system contains fluorinated greenhouse gases.
- Coolant designation: HFC-134a
- Coolant weight when full: 1,35 kg
- CO₂-equivalent: 1930 ton
- GWP: 1430

Find us locally at www.dynapac.com

We reserve the right to change specifications without notice. Photos and illustrations do not always show standard versions of machines. The above information is a general description only, all informations are supplied without liability.