

8085T

Telescopic Wheel Loaders



KRAMER
on the safe side



The telescope under the wheel loader

Safety, comfort and diversity characterise the new Kramer 8 series model. The powerful Kramer 8085T is equipped with a 75HP Deutz engine and, thanks to the telescoping loading system in conjunction with the work platform, achieves a unique working height of around 7 m (optional). The robust machine is characterised by compact dimensions and maximum comfort in its spacious cab area (2.3 m³). It provides you with the Kramer benefits such as constant payload and stability due to its undivided frame and the all-wheel steering.

- Created for the routine: The optimal loading system setup ensures the best visibility of the attachment and the quickhitch plate
- Powerful engine: 2,900 cm³ displacement ensures power and performance for all conditions and guarantees an exhaust-gas-free follow-up treatment
- Overhead loading height: All vehicles can be loaded problem-free with an overload height of about 4.5 m. National regulations must be observed.
- Loader unit: High tearing forces and quick emptying are possible due to the z-kinematics of the loading system
- Comfort: From the operator's seat to the steering wheel, every detail is consequently adjusted to the

operator's needs

8085T Technical specifications

Operating data

Bucket capacity (standard bucket)	0.85 m ³
Operating weight	5,500 kg

Engine / Motor

Engine / Motor manufacturer	Deutz
Engine performance (standard)	55.4 kW
Emission standards stage (standard)	V

Power transmission

Traction drive	Continuously variable, hydrostatic axial piston transmission
Driving speed (standard)	20 km/h
Driving speed (option)	30 km/h
Driving speed (option)	40 km/h
Standard tires	12.5-20
Differential lock	100 % front
Max. steering angle	2 x 40 °

Steering and operating hydraulics

Max. pump discharge capacity	70 l/min
Max. pump pressure	240 bar
Max. Powerflow discharge capacity	115 l/min

Kinematics

Design system	Z-Kinematics
Tipping load (standard bucket)	3,300 kg
Payload (S=1,25)	2,000 kg
Tilt-in angle	40 °
Tip-out angle	40 °

Filling capacities

Fuel tank	85 l
Hydraulic oil tank	50 l

Sound emission

Measured value	100 dB(A)
Guaranteed value	101 dB(A)
Noise level at the driver's ear	77 dB(A)

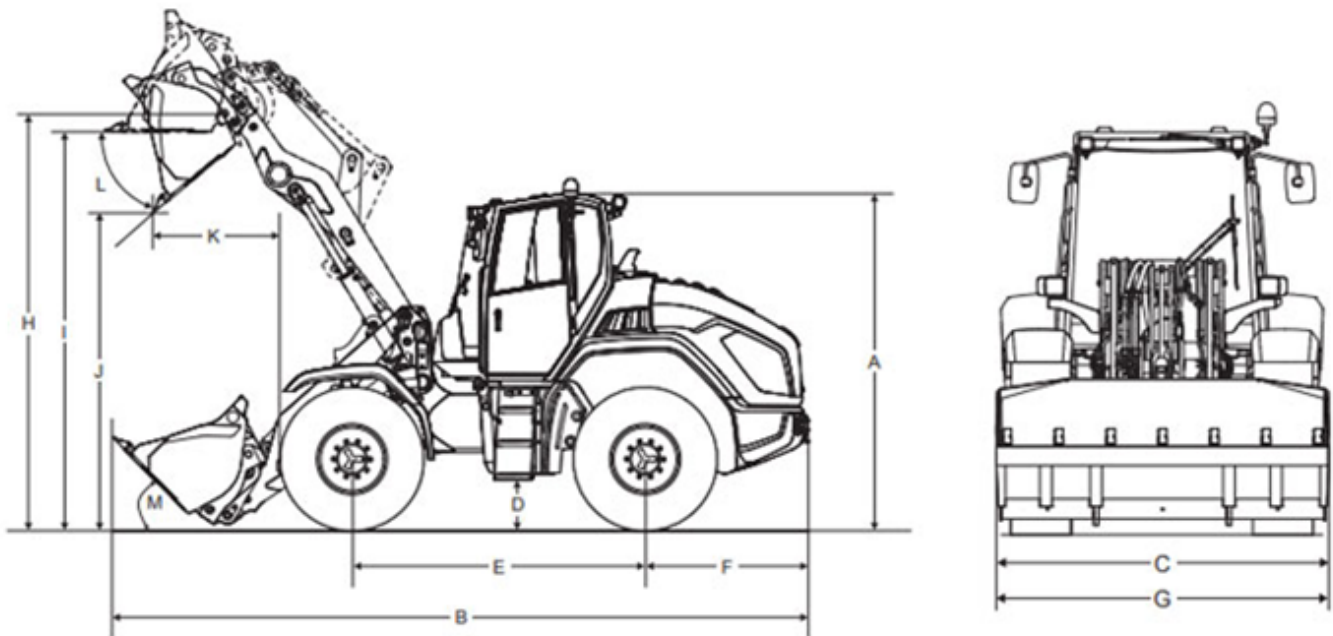
Vibrations

Total vibrations value of the upper body extremities	<8.2 feet/s ²
Highest effective value of weighted acceleration for the body	<1.64 feet/s ²

All statements without guarantee.

Additional technical data is available in the detailed brochure in the informational material section.

8085T Dimensions



Length (Schaufel mit Zähne)	5,890 mm
Height	2,590 mm
Total height with rotating beacon	2,830 mm
Width	1,780 mm
Ground clearance in transport position of the loading installation	250 mm
Ground clearance under axle and gearbox	330 mm
Bucket pivot point - retracted	3,615 mm
Bucket pivot point - extended	4,690 mm
Overhead loading height - retracted	3,445 mm
Overhead loading height - extended	4,520 mm
Dumping height - retracted	3,010 mm
Dumping height - extended	4,010 mm
Dump reach - retracted	620 mm
Dump reach - extended	1,080 mm
Tilt-in angle	45 °
Tip-out angle	40 °
Track width	1,400 mm
Wheelbase	2,020 mm
Center of rear axle to end of vehicle	1,490 mm
Center of front axle to tip of teeth	2,270 mm

Bucket width	1,950 mm
Stack height (arm extended)	4,470 mm
Turning radius over tyres	2,840 mm

Alle Angaben wurden mit folgender Bereifung ermittelt: 28 x 9.00 - 15

Please note: that product availability can vary from country to country. It is possible that information / products may not be available in your country. More detailed information on engine power can be found in the operator's manual; the stated power may vary due to specific operating conditions. Subject to alterations and errors excepted. Applicable also to illustrations.

Copyright © 2021 Kramer-Werke GmbH.